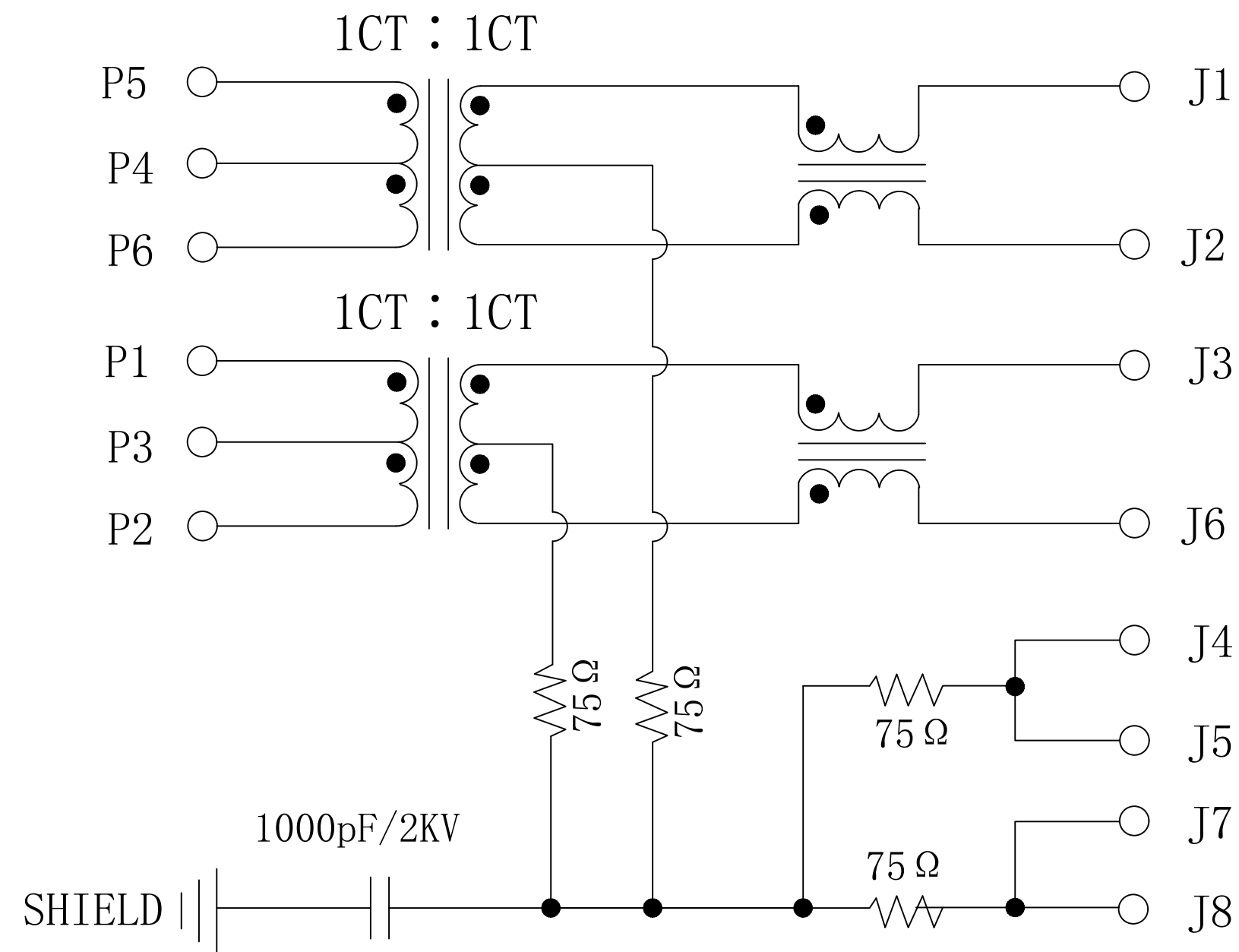


Schematic:

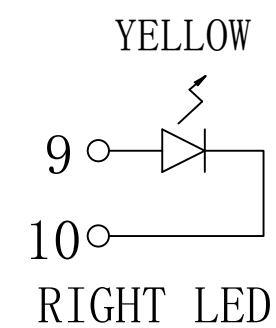
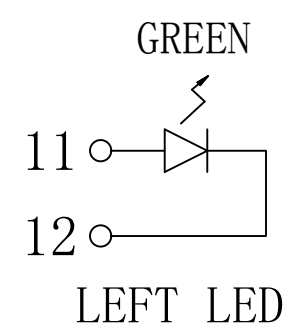
REV.	ECN NO.	DESCRIPTION	DATE	APPD
A	REL		2014-07-22	



Electrical Specifications @25°C

- Turns Ratio ( $\pm 2\%$ ) :  
TX=1CT:1CT      RX=1CT:1CT
- Primary Inductance(1-2, 5-6): 350uH Min  
@100KHz, 0.1Vrms, 8mA DC bias
- Insertion Loss:  
0.5-100MHz: -1.1dB Max
- Return Loss(dB Min) :  
0.5-30MHz:-18;  
30.1-60MHz:-18-20LOG(f/30)  
60.1-80MHz:-12
- Crosstalk(dB Min) :  
0.5-40MHz: -35  
40.1-100MHz: -33-20LOG(f/50)
- Common Mode Rejection Ratio:  
0.5-100MHz: -30dB Min
- Isolation PHY SIDE To Line SIDE : 1500Vrms
- Operating Temperature: 0°C~70°C.

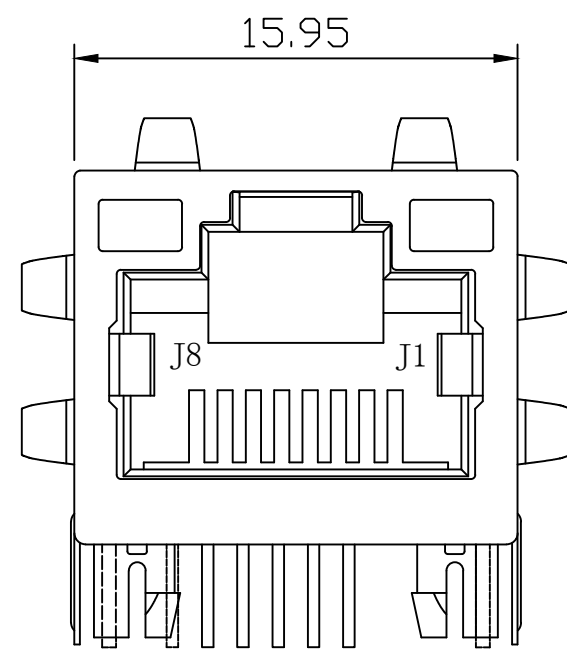
Emitting Color	$\lambda_p$ (nm)	V <sub>F</sub> @I <sub>F</sub> =20mA	I <sub>R</sub> @V <sub>R</sub> =5V
GREEN	565	1.8~2.6V	10 $\mu$ A max
YELLOW	585	1.8~2.6V	10 $\mu$ A max



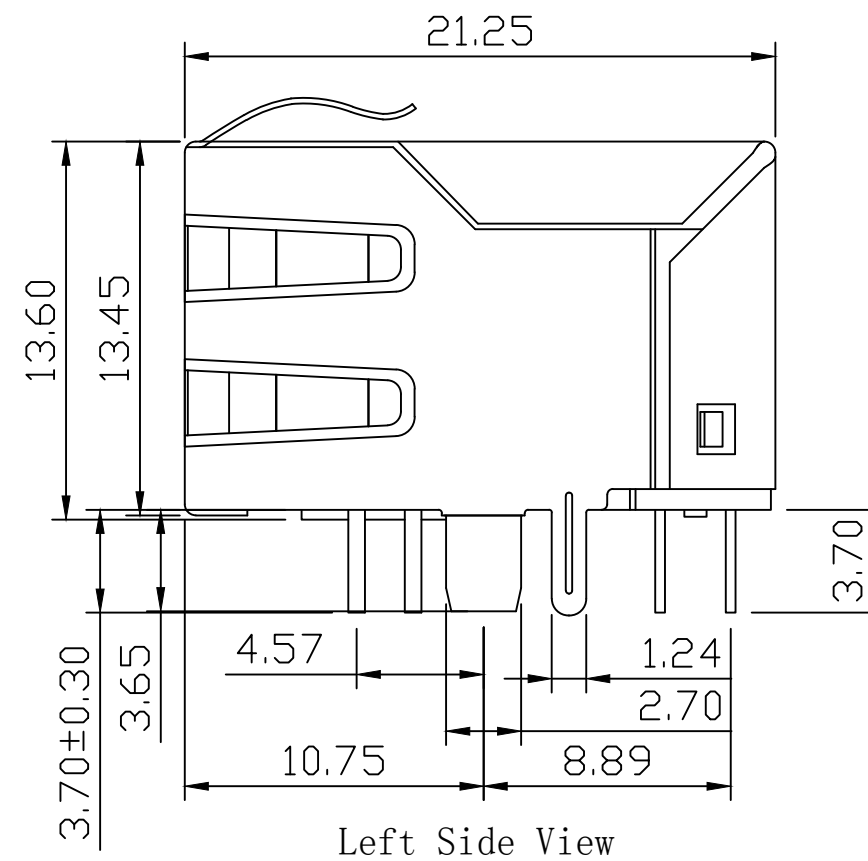
X:X $\pm 0.30$	APPD: TOM	LINK-PP INT'L TECHNOLOGY CO., LIMITED
X:XX $\pm 0.25$	CHKD: JAMES	
X:XXX $\pm 0.05$	DR: LEO	TITLE: RJ45 Connector with 10/100 Base-T Integrated Magnetics
ANGLES $\pm 1^\circ$	UNIT: mm	PART NO.: LPJ161173AENL4V
	SCALE: 2/1	SHEET: 1/3
	REV: A	DWG NO.: LP14072241

# Mechanical:

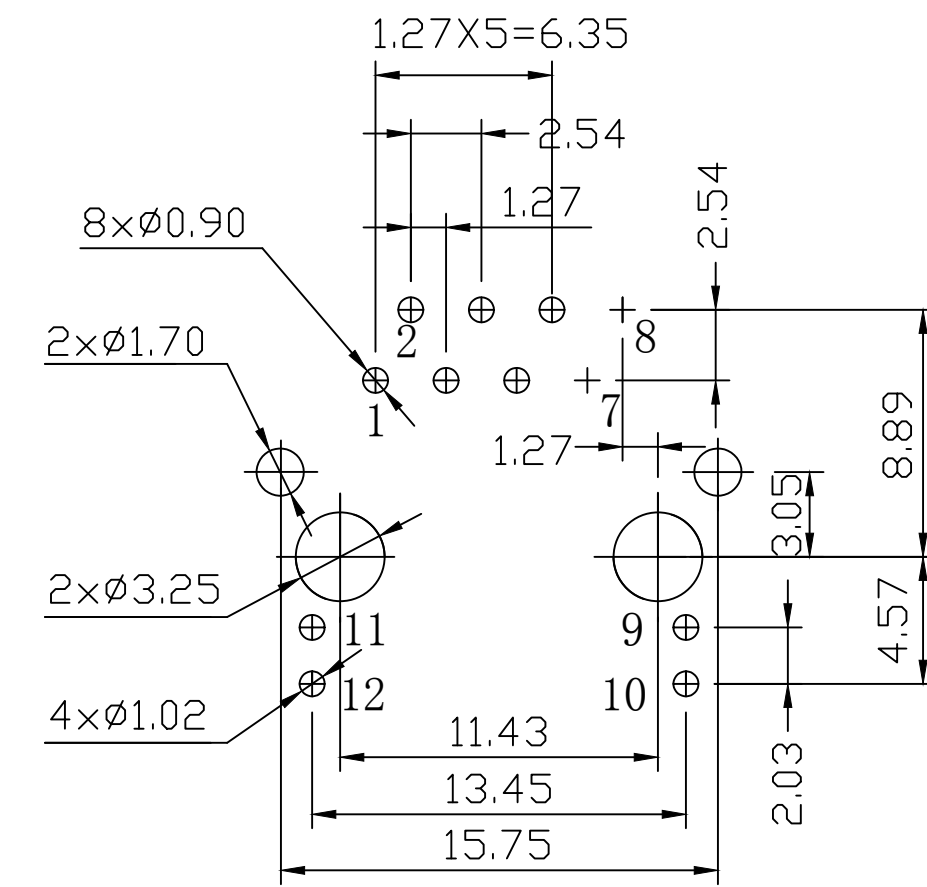
REV.	ECN NO.	DESCRIPTION	DATE	APPD
A	REL		2014-07-22	



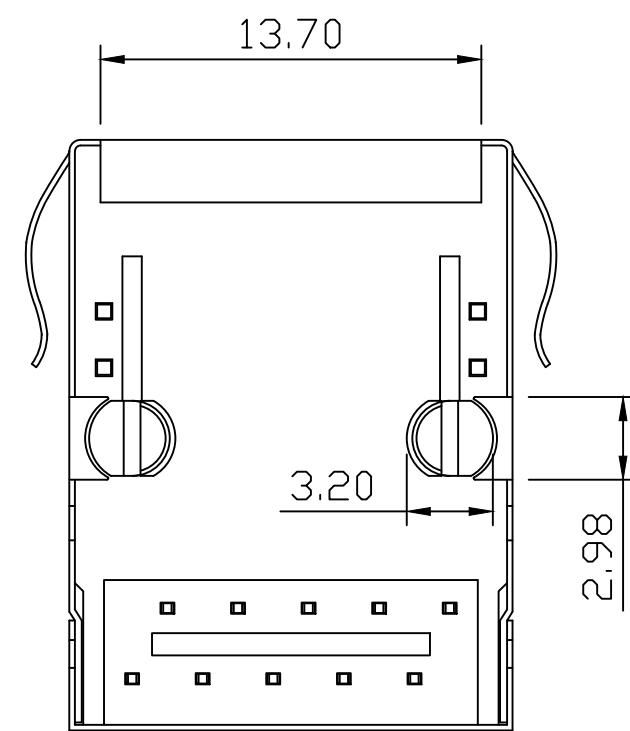
Front Side View



Left Side View



Suggested PCB Layout (Top View)



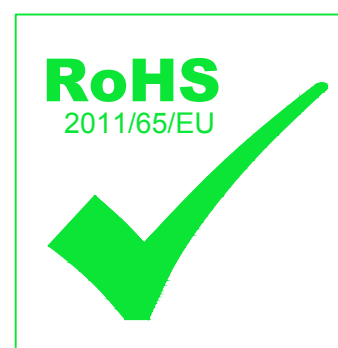
Bottom Side View



Top Side View

## NOTES:

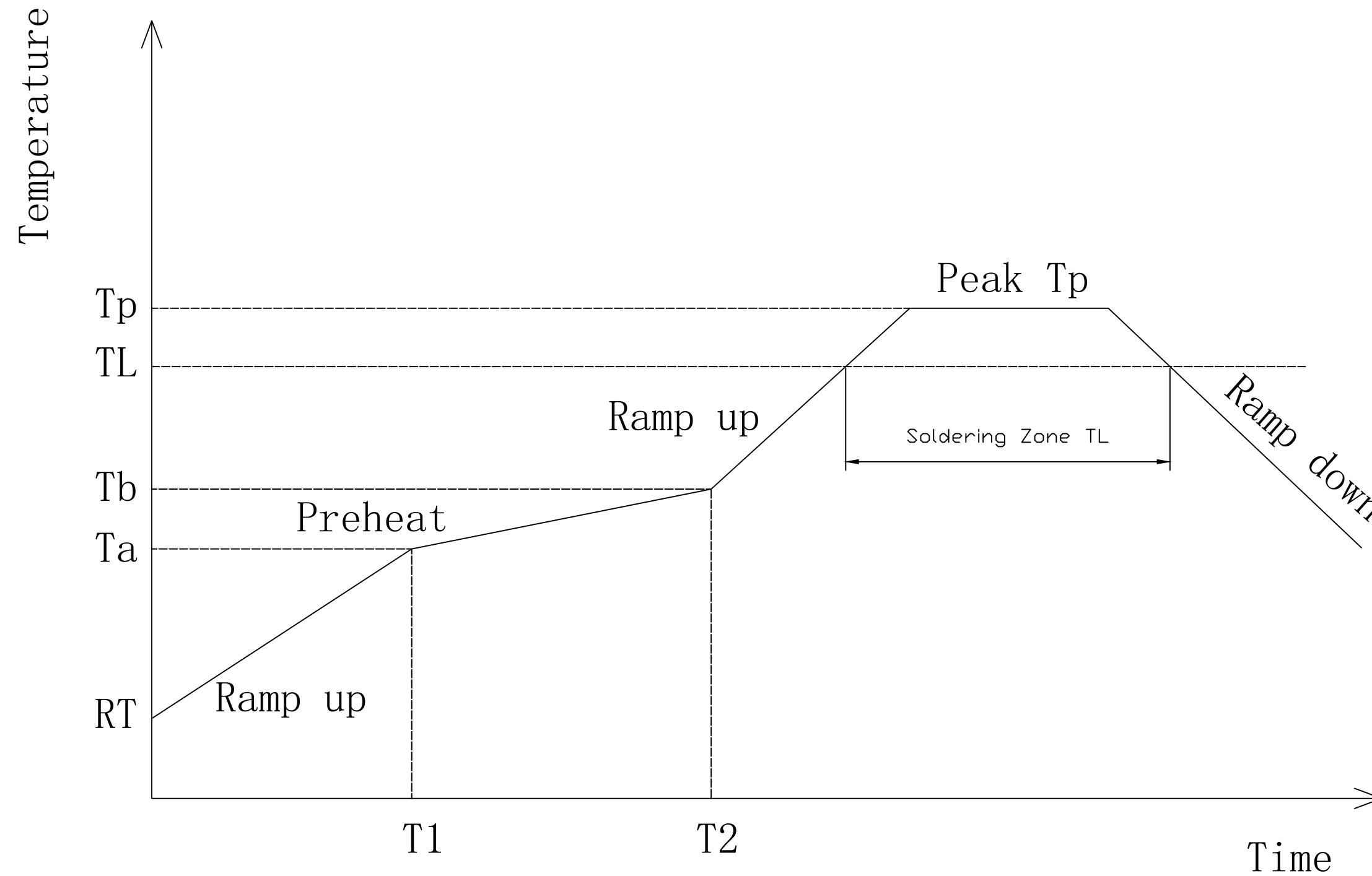
1. Designed to support application, such as SOHO (ADSL modems), LAN-on-Motherboard (LOM), hub and Switches.
2. Meets IEEE802.3 specification
3. Connector Materials:  
 Housing: Thermoplastic PA46+30%G.F UL94V-0  
 Contact: Phosphor Bronze C5210R-EH Thickness=0.35mm  
 Pins: Brass C2680R-H Thickness=0.35mm  
 Shield: SUS 304-1/2H Thickness=0.2mm  
 Contact plating: Gold 6 micro-inches min. In contact area.
4. Reflow temperature : 250°C, 5 Sec.
5. UL Certification: File Number E484635.



X:X ±0.30	APPD: TOM	LINK-PP INT'L TECHNOLOGY CO., LIMITED
X:XX ±0.25	CHKD: JAMES	
X:XXX ±0.05	DR: LEO	TITLE: RJ45 Connector with 10/100 Base-T Integrated Magnetics
ANGLES ±1°	UNIT: mm	PART NO.: LPJ161173AENL4V
	SCALE: 2/1	SHEET: 2/3
	REV: A	DWG NO.: LP14072241

IR Reflow:

REV.	ECN NO.	DESCRIPTION	DATE	APPD
A	REL		2014-07-22	



Preheat:

Temperature (Ta-Tb) : 150-200°C

Time (t1-t2) : 60-180s

Holding Temperature: 217°C

Time (TL) : 60-150s

Max Temperature (Tp) : 250 (+0/-5°C)

Max Time (Tp) : 5s

The average speed: 3°C/S Max

The average cooling speed: 6°C/S Max

From 25°C to Products out of the furnace: 6 minutes Max



X:X ±0.30	APPD: TOM	LINK-PP INT'L TECHNOLOGY CO., LIMITED		
X:XX ±0.25	CHKD: JAMES			
X:XXX ±0.05	DR: LEO	TITLE: RJ45 Connector with 10/100 Base-T Integrated Magnetics		
ANGLES ±1°	UNIT: mm	PART NO.: LPJ161173AENL4V		
	SCALE: 2/1	SHEET: 3/3	REV: A	DWG NO.: LP14072241