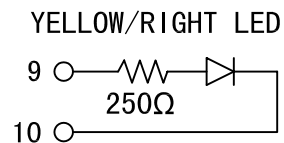
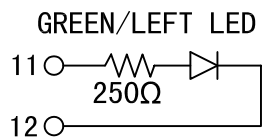
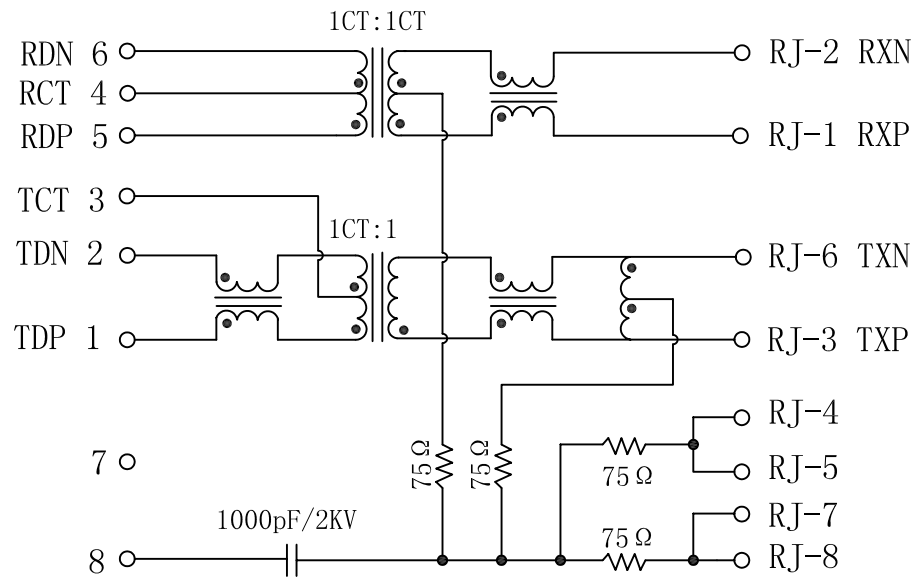


Schematic:

REV.	ECN NO.	DESCRIPTION	DATE	APPD
A	REL		08/11/2008	



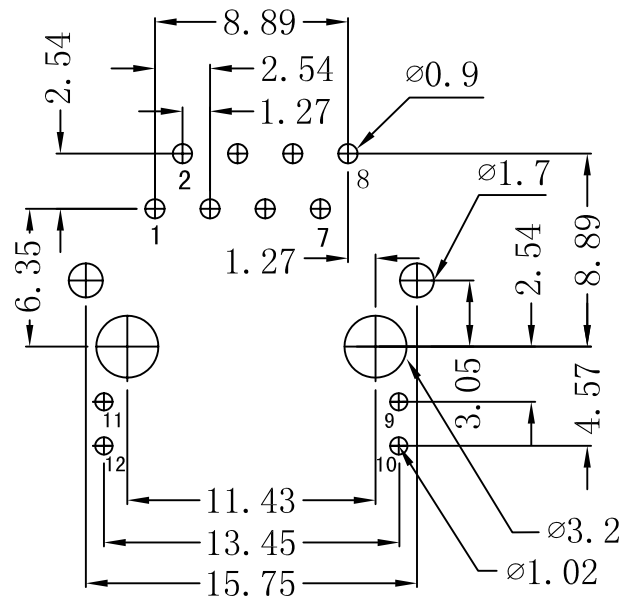
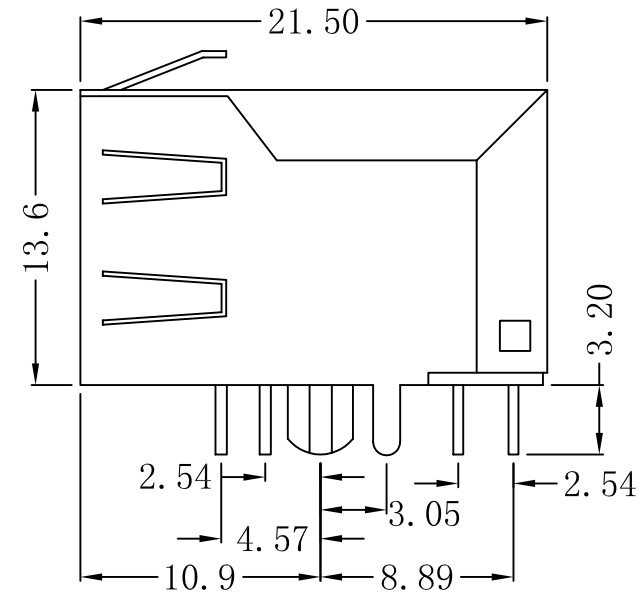
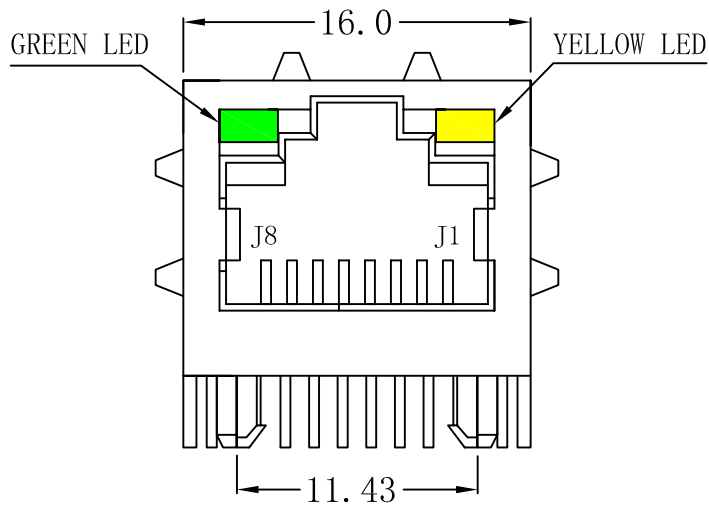
Electrical Specifications @25°C

- Impedance: 100 OHMS
- Turns Ratio:
TX=1CT : 1 RX=1CT : 1CT
- Inductance OCL: 350uH Min
@100KHz, 0.1Vrms, 8mA DC Bias.
- Insertion Loss (dB Max):
0.1-0.999MHz: -1.0 ; 1.0-15.0MHz: -0.3
15.1-60.0MHz: -0.6 ; 60.1-80.0MHz: -1.1
80.1-100.0MHz: -1.1
- Return Loss (dB Min):
0.1-60.0MHz: -18 ; 60.1-80.0MHz: -15
80.1-100.0MHz: -12
- Crosstalk (dB Min):
0.1-60.0MHz: -43.0 ; 60.1-100MHz: -38
- Common Mode Rejection Ratio (TX/RX):
0.1-60MHz: -46dB Min / -35dB Min
60.1-100MHz: -42dB Min / -33dB Min
- Isolation Voltage: 1500Vrms
- Operating Temperature: 0°C ~ 70°C.

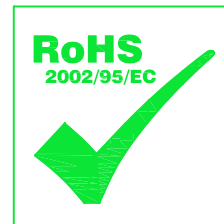
X:X	±0.20	APPD:	LINK-PP INT'L TECHNOLOGY CO., LIMITED	
X:XX	±0.10	CHKD:	TITLE: RJ45 Connector With 10/100 Base-TX Integrated Magnetic TAB-UP	
X:XXX	±0.05	DR: TOM	PART NO.: LPJ16116A28NL	
ANGLES	±1°	UNIT: mm		
	SCALE: 2/1	SHEET: 1/2	REV: A	DWG NO: LP09090216

Mechanical :

REV.	ECN NO.	DESCRIPTION	DATE	APPD
A	REL		02/09/2009	



SUGGESTED PCB LAYOUT (TOP VIEW)



NOTES:

1. Designed to support application, such as SOHO (ADSL modems), LAN-on-Motherboard (LOM), hub and Switches.
2. Meets IEEE 802.3 specification
3. Connector Materials:
 Housing: Thermoplastic UL94V-0
 Contact/Shield: Copper alloy
 Shield plating: Nickel
 Contact plating: Gold 6 micro-inches min. In contact area.
4. Wave solder tip temperature: 265°C Max
 Wave solder tip temperature time: 5 Sec Max

X:X	±0.20	APPD:	LINK-PP INT'L TECHNOLOGY CO., LIMITED	
X:XX	±0.10	CHKD:	TITLE.: RJ45 Connector With 10/100 Base-TX Integrated Magnetic TAB-UP	
X:XXX	±0.05	DR: TOM	PART NO.: LPJ16116A28NL	
ANGLES	±1°	UNIT: mm	DWG NO: LP09090216	
	SCALE: 2/1	SHEET: 2/2	REV: A	DWG NO: LP09090216