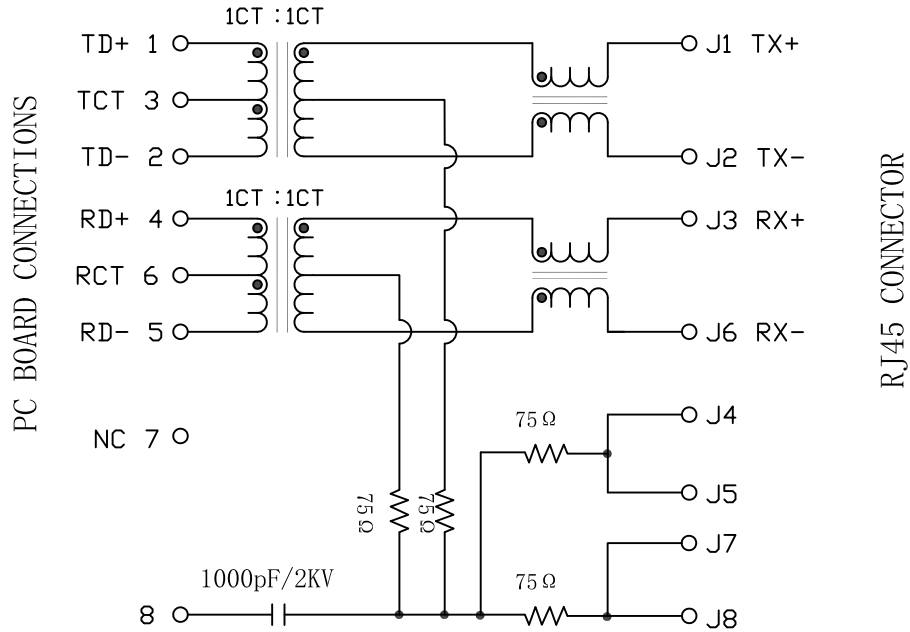


Schematic:

REV.	ECN NO.	DESCRIPTION	DATE	APPD
A	REL		2010-11-10	



Electrical Specifications @25°C

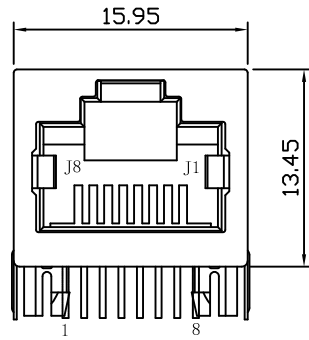
- Turns Ratio:
TX=1CT : 1CT RX=1CT : 1CT
- Primary Inductance(P1-P2, P4-P5): 350uH Min
@100KHz, 0.1Vrms, 8mA DC Bias
- Insertion Loss:
0.3~100MHz: -1.0dB Max
- Return Loss(dB Min):
1~30MHz: -20; 30~60MHz: -15
60~80MHz: -10
- Crosstalk:
1~100MHz: -30dB Min
- Common to Common Mode Rejection:
1~100MHz: -30dB Min
- Hipot Test: 1500Vrms
- Operating Temperature: -40°C ~ +85°C.



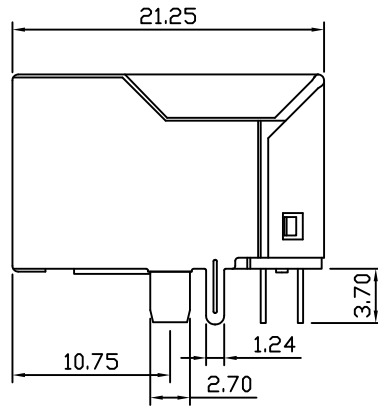
X:X	±0.30	APPD:	LINK-PP INT'L TECHNOLOGY CO., LIMITED	
X:XX	±0.25	CHKD:	TITLE: RJ45 Connector with 10/100 Base-T Integrated Magnetics	
X:XXX	±0.05	DR: TOM	PART NO.: LPJ16093DNL	
ANGLES	±1°	UNIT: mm	DWG NO.: LP10111006	
	SCALE: 2/1	SHEET: 1/2	REV: A	

Mechanical:

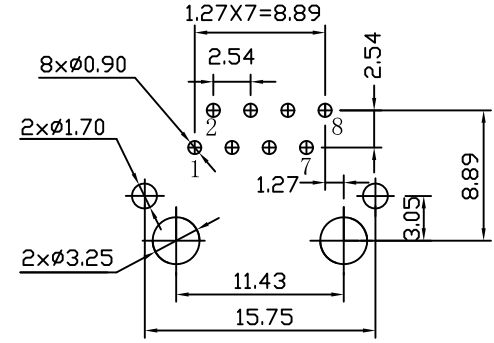
REV.	ECN NO.	DESCRIPTION	DATE	APPD
A	REL		2010-11-10	



Front Side View



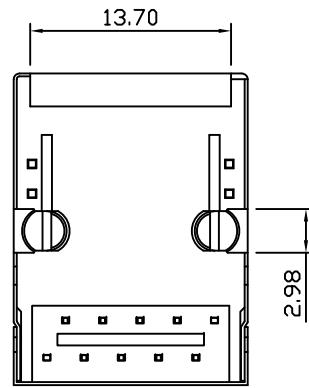
Left Side View



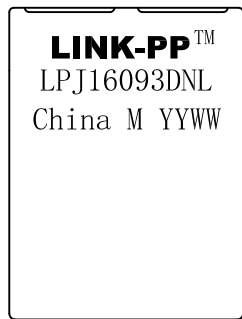
Suggested PCB Layout (Top View)

NOTES:

1. Designed to support application, such as SOHO (ADSL modems), LAN-on-Motherboard (LOM), hub and Switches.
2. Meets IEEE 802.3 specification
3. Connector Materials:
 Housing: Thermoplastic PBT+30%G.F UL94V-0
 Contact: Phosphor Bronze C5210R-EH Thickness=0.35mm
 Pins: Brass C2680R-H Thickness=0.35mm
 Shield: SUS 201-1/2H Thickness=0.2mm
 Contact plating: Gold 6 micro-inches min. In contact area.
 Shield plating: Nickel 30 micro-inches Min.
4. Wave solder tip temperature: 265°C Max, 5 Sec Max.
5. UL Certification: File Number E484635.



Bottom Side View



Top Side View

X:X	±0.30	APPD:	LINK-PP INT'L TECHNOLOGY CO., LIMITED	
X:XX	±0.25	CHKD:	TITLE: RJ45 Connector with 10/100 Base-T Integrated Magnetics	
X:XXX	±0.05	DR: TOM	PART NO.: LPJ16093DNL	
ANGLES	±1°	UNIT: mm	DWG NO.: LP10111006	
	SCALE: 2/1	SHEET: 2/2	REV: A	