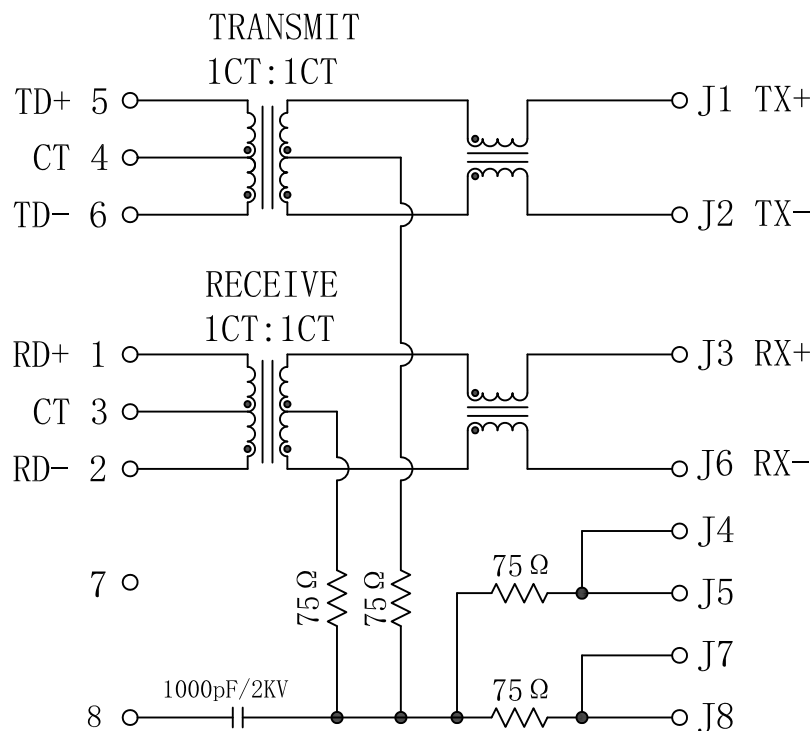


Schematic :

REV.	ECN NO.	DESCRIPTION	DATE	APPD
A	REL		08/11/2008	

PC BOARD CONNECTIONS



RJ45 CONNECTOR

Electrical Specifications @25°C

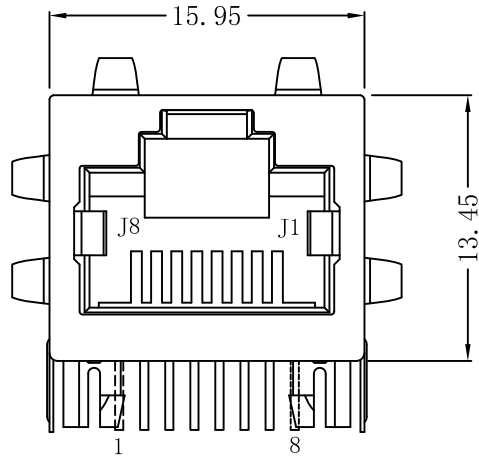
- Turns Ratio ($\pm 2\%$) :
TX=1CT:1CT RX=1CT:1CT
- Inductance OCL: 350uH MIN
@100KHz, 0.1Vrms, 8mADC bias current.
- Insertion Loss:
0.3-65MHz: -1.2dB MAX
- Return Loss:
1-30MHz: -18dB MIN
40MHz: -16dB MIN
50MHz: -14dB MIN
60-80MHz: -12dB MIN
- Crosstalk:
0.3-80MHz: -30dB MIN
- Isolation Voltage: 1500Vrms
- Operating Temperature: $-40^{\circ}\text{C} \sim +85^{\circ}\text{C}$.



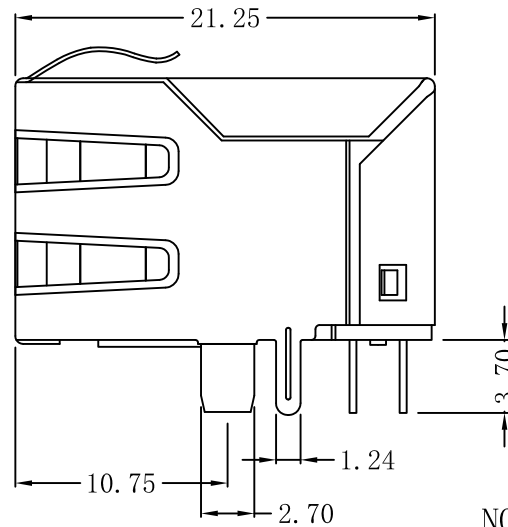
X:X	± 0.30	APPD:	LINK-PP INT'L TECHNOLOGY CO., LIMITED	
X:XX	± 0.25	CHKD:	TITLE: RJ45 Connector With 10/100 Base-TX Integrated Magnetic TAB-UP	
X:XXX	± 0.05	DR: TOM	PART NO.: LPJ16064CNL	
ANGLES	$\pm 1^{\circ}$	UNIT: mm		
	SCALE: 2/1	SHEET: 1/2	REV: A	DWG NO: LP08111052

Mechanical :

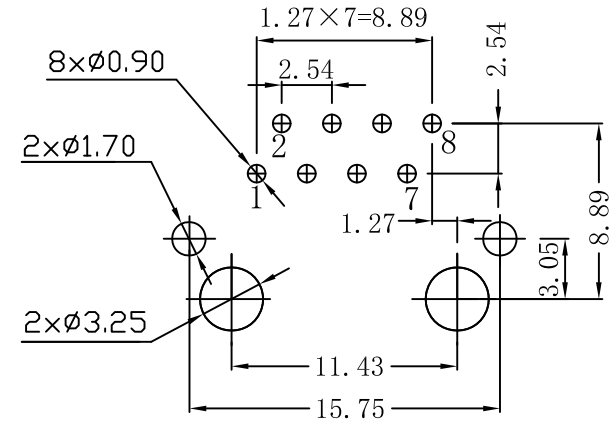
REV.	ECN NO.	DESCRIPTION	DATE	APPD
A	REL		10/11/2008	



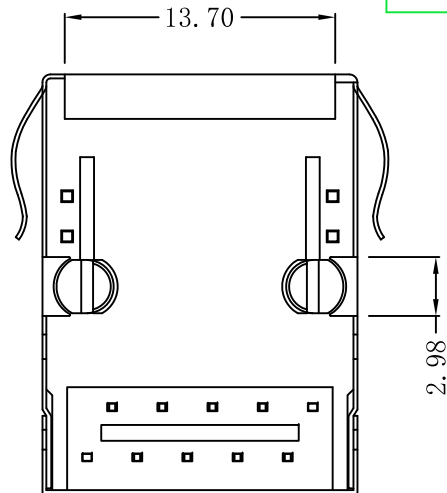
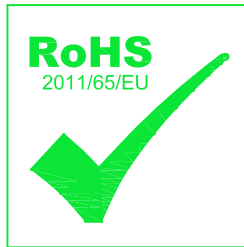
Front Side View



Left Side View



Suggested PCB Layout (Top View)



Bottom Side View



Top Side View

NOTES:

1. Designed to support application, such as SOHO (ADSL modems), LAN-on-Motherboard (LOM), hub and Switches.
2. Meets IEEE 802.3 specification
3. Connector Materials:
 Housing: Thermoplastic PBT+30%G. F UL94V-0
 Contact: Phosphor Bronze C5210R-EH Thickness=0.35mm
 Pins: Brass C2680R-H Thickness=0.35mm
 Shield: SUS 201-1/2H Thickness=0.2mm
 Contact plating: Gold 6 micro-inches min. In contact area.
4. Wave solder tip temperature: 265°C Max, 5 Sec Max.
5. UL Certification: File Number E484635.

X:X	±0.30	APPD:	LINK-PP INT'L TECHNOLOGY CO., LIMITED	
X:XX	±0.25	CHKD:	TITLE: RJ45 Connector With 10/100 Base-TX Integrated Magnetic TAB-UP	
X:XXX	±0.05	DR: TOM	PART NO.: LPJ16064CNL	
ANGLES	±1°	UNIT: mm		
	SCALE: 2/1	SHEET: 2/2	REV: A	DWG NO: LP08111052