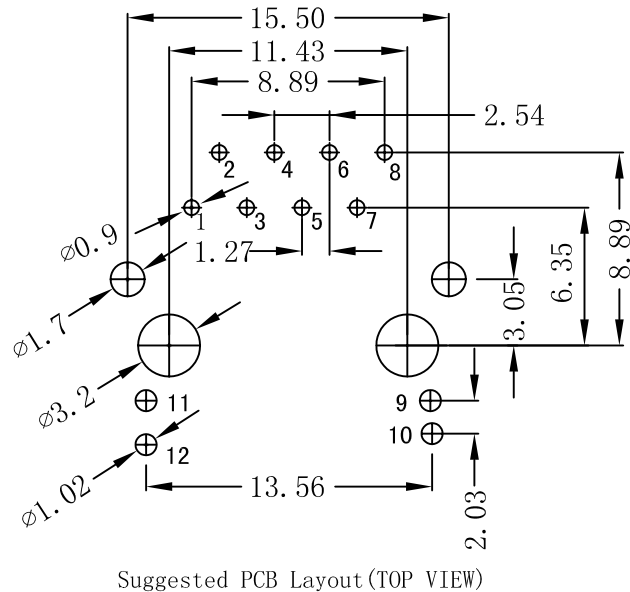
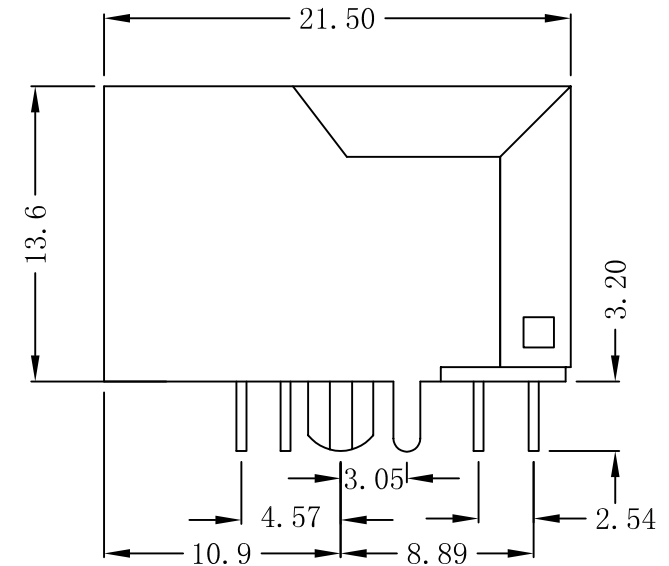
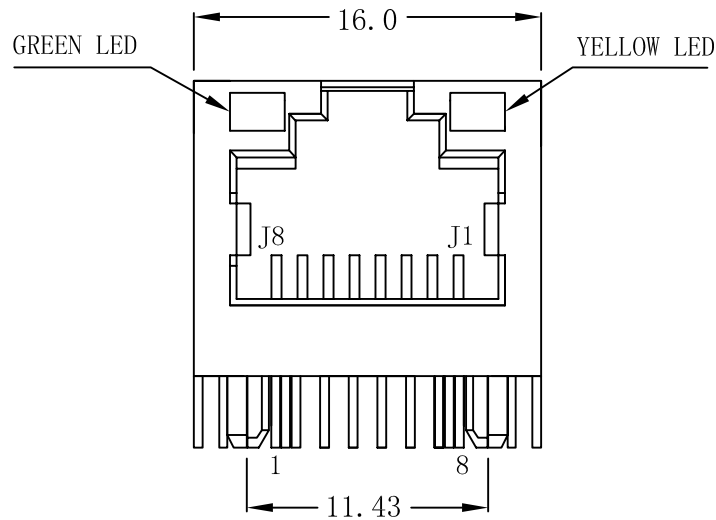


Mechanical :

REV.	ECN NO.	DESCRIPTION	DATE	APPD
A	REL		2010/10/06	



NOTES :

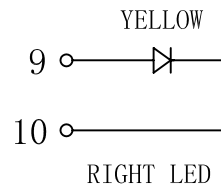
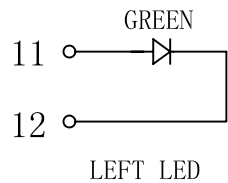
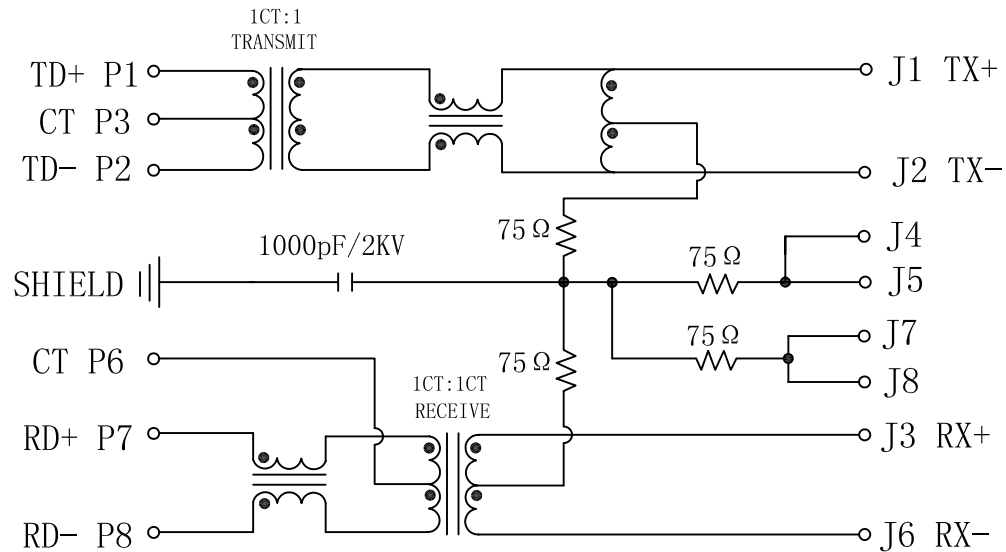
1. Designed to support application, such as SOHO (ADSL modems), LAN-on-Motherboard (LOM), hub and Switches.
2. Meets IEEE 802.3 specification
3. Connector Materials:
 Housing: Thermoplastic UL94V-0
 Contact/Shield: Copper alloy
 Shield plating: Nickel
 Contact plating: Gold 6 micro-inches min. In contact area.
4. Wave solder tip temperature: 265°C Max
 Wave solder tip temperature time: 5 Sec Max



X:X	±0.20	APPD:	LINK-PP INT'L TECHNOLOGY CO., LIMITED	
X:XX	±0.10	CHKD:	Title: RJ45 Connector With 10/100 Base-TX Integrated Magnetic	
X:XXX	±0.05	DR: TOM		
ANGLES	±1°	UNIT: mm	PART NO.: LPJ16025BENL	
	SCALE: 2/1	SHEET: 1/2	REV: A	DWG NO.: LP10100603

Schematic:

REV.	ECN NO.	DESCRIPTION	DATE	APPD
A	REL		2010/10/06	



Electrical Specification @25±5°C

- Turns Ratio ($\pm 2\%$) :
TX=1CT:1 RX=1CT:1CT
- OCL: 350uH Min
@100KHz, 100mV, 8mA, DC Bias
- DCR:
Pins: (J1-J2), (J3-J6)=1.2 OHMS Max
- Insertion Loss:
0.3-100MHz: -1.0dB Max
- Return Loss(dB Min):
1-30MHz:-20 30-60MHz:-15
60-80MHz:-10
- Crosstalk:
1-100MHz:-30dB Min
- Common To Common Mode Rejection:
1-100MHz:-30dB Min
- Hipot: 1500VAC for 60 seconds
- Operating Temperature: -40~+85°C.

X:X	±0.20	APPD:	LINK-PP INT'L TECHNOLOGY CO., LIMITED	
X:XX	±0.10	CHKD:	Title: RJ45 Connector With 10/100 Base-TX Integrated Magnetic	
X:XXX	±0.05	DR: TOM		
ANGLES	±1°	UNIT: mm	PART NO.: LPJ16025BENL	
	SCALE: 2/1	SHEET: 2/2	REV: A	DWG NO.: LP10100603