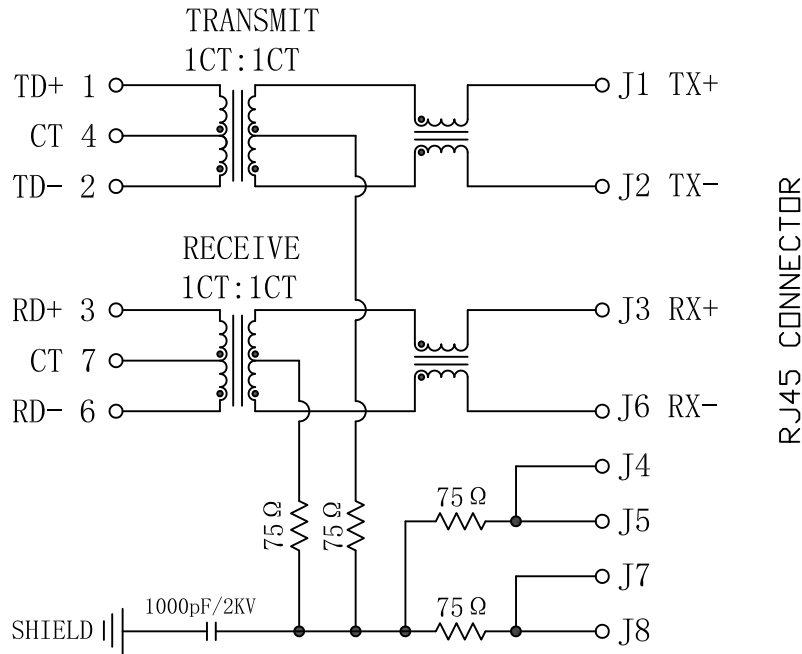


Schematic:

REV.	ECN NO.	DESCRIPTION	DATE	APPD
A	REL		2014-07-22	

PC BOARD CONNECTIONS



RJ45 CONNECTOR

Electrical Specifications @25°C

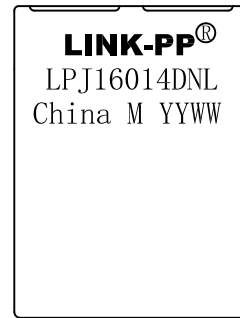
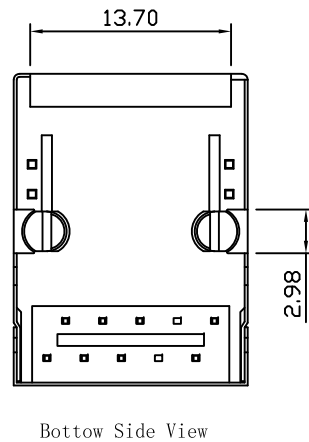
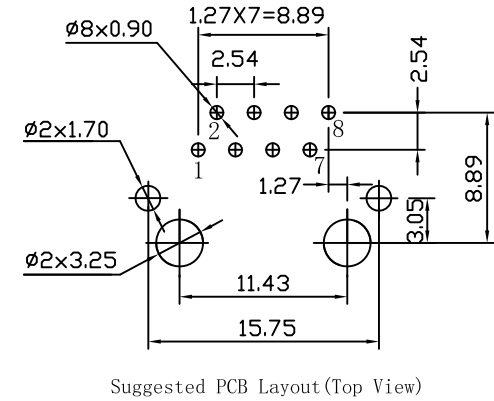
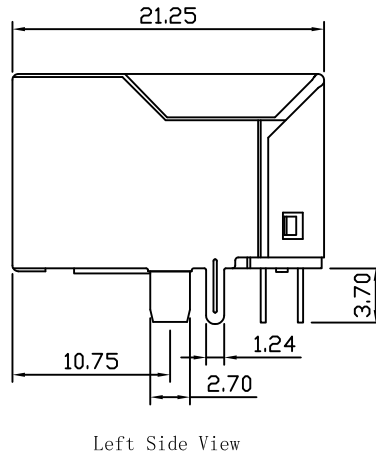
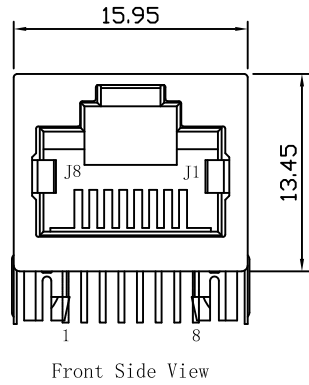
- Turns Ratio ( $\pm 2\%$ ) :  
TX=1CT:1CT      RX=1CT:1CT
- Primary Inductance (P1-P2, P3-P6) : 350uH Min  
@100KHz, 0.1Vrms, 8mA DC bias
- Insertion Loss:  
0.3-100MHz: -1.2dB Max
- Return Loss (dB Min):  
1-30MHz: -16;      40MHz: -14  
50MHz: -13      60-80MHz: -12
- Crosstalk (dB Min):  
0.3-30MHz: -40      30-60MHz: -35  
60-100MHz: -30
- Common Mode Rejection (dB Min):  
1-50MHz: -30      50-150MHz: -20
- Hipot Test: 1500Vrms
- Operating Temperature: -40°C ~ +85°C.



X:X	$\pm 0.30$	APPD:	LINK-PP INT'L TECHNOLOGY CO., LIMITED
X:XX	$\pm 0.25$	CHKD:	
X:XXX	$\pm 0.05$	DR: TOM	
ANGLES	$\pm 1^\circ$	UNIT: mm	PART NO. : LPJ16014DNL
	SCALE: 2/1	SHEET: 1/2	REV: A
			DWG NO. : LP14101101

# Mechanical:

REV.	ECN NO.	DESCRIPTION	DATE	APPD
A	REL		2014-10-11	



## NOTES:

1. Designed to support application, such as SOHO (ADSL modems), LAN-on-Motherboard (LOM), hub and Switches.
2. Meets IEEE 802.3 specification
3. Connector Materials:  
 Housing: Thermoplastic PBT+30%G.F UL94V-0  
 Contact: Phosphor Bronze C5210R-EH Thickness=0.35mm  
 Pins: Brass C2680R-H Thickness=0.35mm  
 Shield: SUS 201-1/2H Thickness=0.2mm  
 Contact plating: Gold 6 micro-inches min. In contact area.
4. Wave solder tip temperature: 265°C Max, 5 Sec.
5. UL Certification: File Number E484635.



X:X ±0.30	APPD:	LINK-PP INT'L TECHNOLOGY CO., LIMITED
X:XX ±0.25	CHKD:	
X:XXX ±0.05	DR: TOM	TITLE: RJ45 Connector with 10/100 Base-T Integrated Magnetics
ANGLES ±1°	UNIT: mm	PART NO.: LPJ16014DNL
	SCALE: 2/1	SHEET: 2/2
	REV: A	DWG NO.: LP14101101