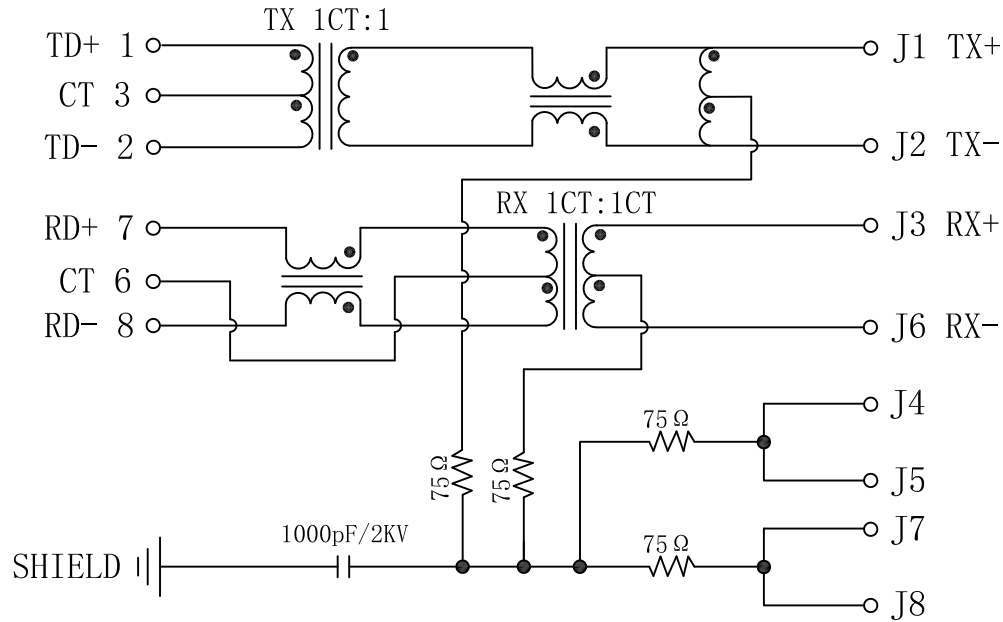


Schematic:

REV.	ECN NO.	DESCRIPTION	DATE	APPD
A	REL		29/01/2010	

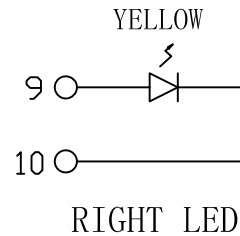
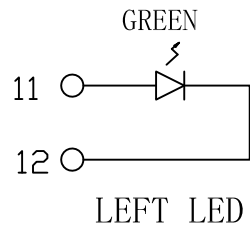
PCB SIDE TO PHY



CABLE SIDE

Electrical Specifications @25°C

- Turns Ratio ($\pm 5\%$) :
TX=1CT:1 RX=1CT:1CT
- Inductance: 350uH Min
@100KHz 0.1V 8mADC Bias.
- Insertion Loss:
1-65MHz: -1.0dB MAX
- Return Loss (dB Typ) :
1-10MHz: -20 10-30MHz: -16
30-60MHz: -12 60-80MHz: -10
- Crosstalk (dB Typ) :
1-30MHz: -40 30-60MHz: -35
60-100MHz: -30
- Common Mode Rejection (dB Typ) :
1-50MHz: -30 50-150MHz: -20
- Isolation Voltage: 1500Vrms
- Operating Temperature: 0°C ~ 70°C.

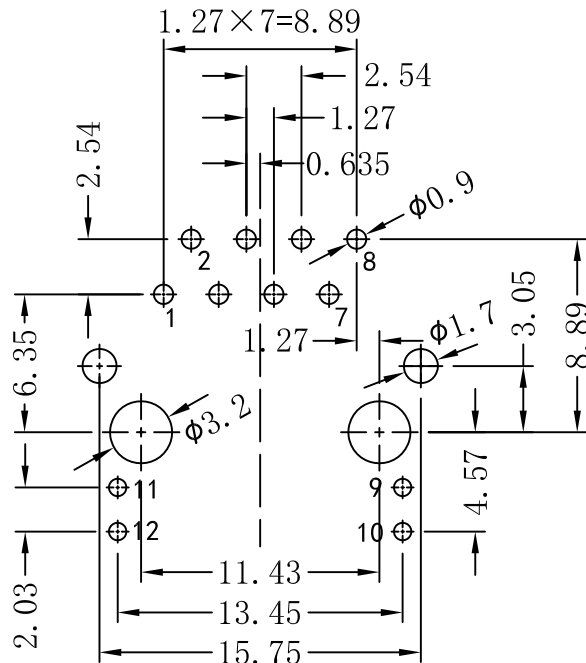
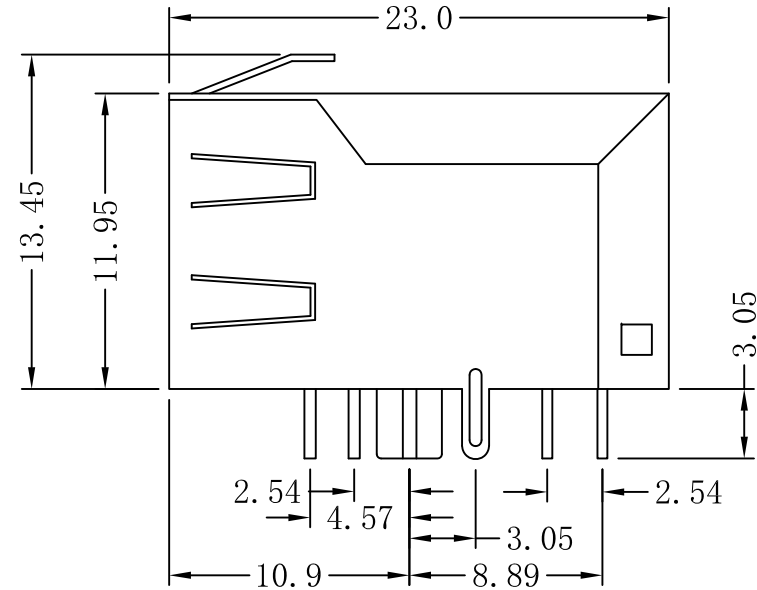
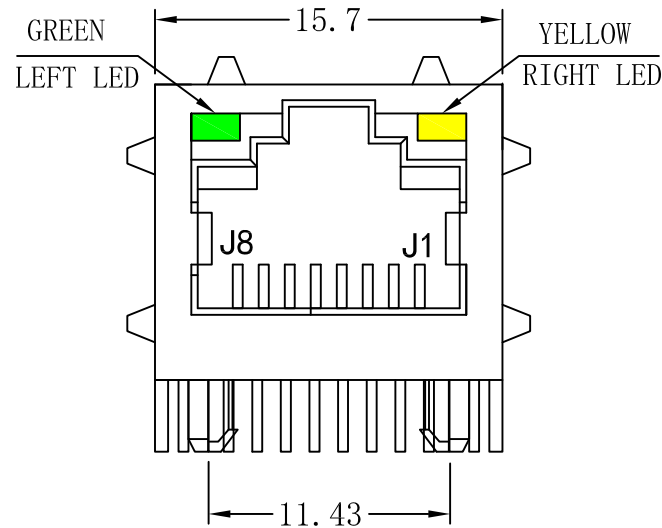


Emitting Color	λ p(nm)	VF@IF=20mA	IR @VR=5V
GREEN	565	1.8~2.4V	10 μ A max
YELLOW	585	1.8~2.4V	10 μ A max

X:X	± 0.25	APPD:	LINK-PP	
X:XX	± 0.20	CHKD:	LINK-PP INT'L TECHNOLOGY CO., LIMITED	
X:XXX	± 0.05	DR: TOM	TITLE: RJ45 Connector With 10/100 Base-TX Integrated Magnetic TAB-UP	
ANGLES	$\pm 1^\circ$	UNIT: mm	PART NO.: LPJ15125AENL	
	SCALE: 2/1	SHEET: 1/4	REV: A	DWG NO: LP10012912

Mechanical:

REV.	ECN NO.	DESCRIPTION	DATE	APPD
A	REL		29/01/2010	



SUGGESTED PCB LAYOUT(TOP VIEW)



NOTES:

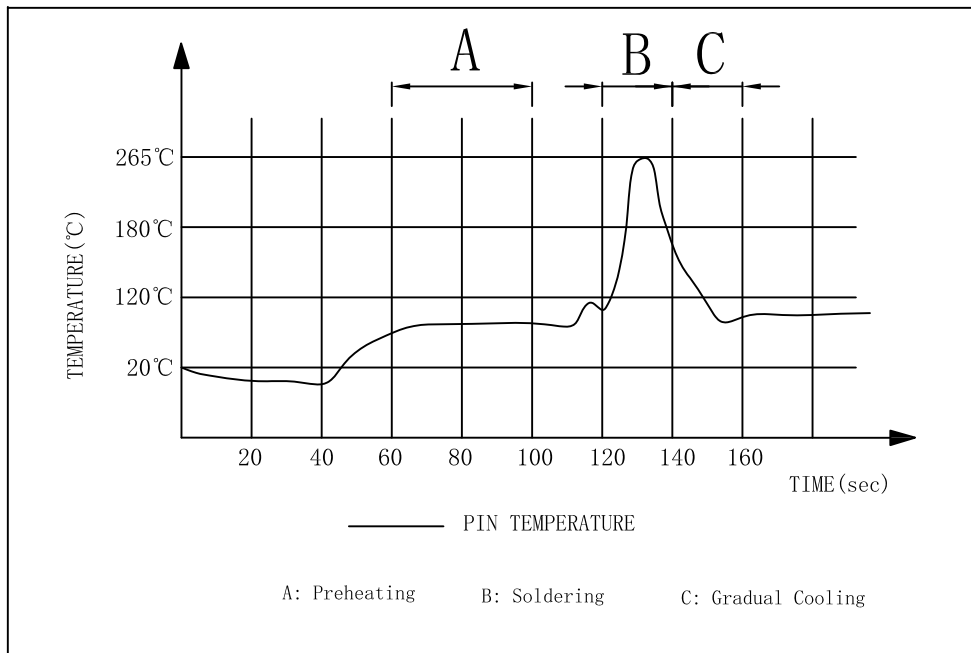
1. Designed to support application, such as SOHO (ADSL modems), LAN-on-Motherboard (LOM), hub and Switches.
2. Meets IEEE 802.3 specification
3. Connector Materials:
Housing: Thermoplastic UL94V-0
Contact/Shield: Copper alloy
Shield plating: Nickel
Contact plating: Gold 6 micro-inches min. In contact area.
4. Wave solder tip temperature: 265°C Max, Sec Max.

X:X	±0.25	APPD:	LINK-PP	
X:XX	±0.20	CHKD:	LINK-PP INT'L TECHNOLOGY CO., LIMITED	
X:XXX	±0.05	DR: TOM	TITLE: RJ45 Connector With 10/100 Base-TX Integrated Magnetic TAB-UP	
ANGLES	±1°	UNIT: mm	PART NO.: LPJ15125AENL	
	SCALE: 2/1	SHEET: 2/4	REV: A	DWG NO: LP10012912

REV.	ECN NO.	DESCRIPTION	DATE	APPD
A	REL		29/01/2010	

SUGGESTED PROFILE OF WAVE SOLDER FOR ROHS PRODUCT

REV: A
 TEMP (°C): 25
 HUM (%): 65 RH

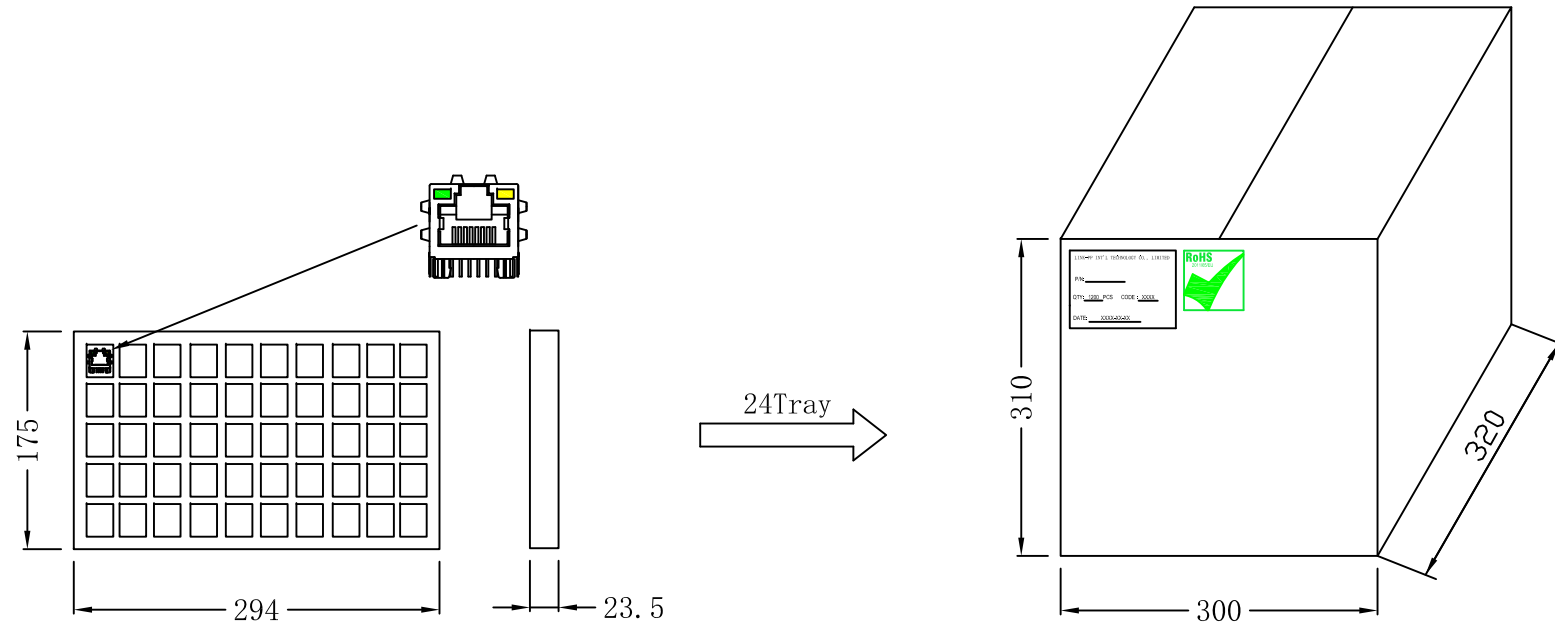


- (1) Tip Temperature: 265°C max
 - (2) Tip Temperature time: 5sec max
- Note: The melting point of Tin: 219°C

X:X	±0.25	APPD:	LINK-PP	
X:XX	±0.20	CHKD:	LINK-PP INT'L TECHNOLOGY CO., LIMITED	
X:XXX	±0.05	DR: TOM	TITLE: RJ45 Connector With 10/100 Base-TX Integrated Magnetic TAB-UP	
ANGLES	±1°	UNIT: mm	PART NO.: LPJ15125AENL	
		SCALE: 2/1	SHEET: 3/4	REV: A DWG NO: LP10012912

Packaging:

REV.	ECN NO.	DESCRIPTION	DATE	APPD
A	REL			



- ◆ Packaging unit :50pcs/tray
- ◆ Packaging material:PVC
- ◆ Outer carton unit:1200pcs/24tray/box
- ◆ Net Weight:8kg
- ◆ Gross Weight:10kg

X:X ±0.25	APPD:	LINK-PP LINK-PP INT'L TECHNOLOGY CO., LIMITED
X:XX ±0.20	CHKD:	
X:XXX ±0.05	DR: TOM	TITLE: 1*1 23.0 RJ45 PACKING
ANGLES ±1°	UNIT: mm	PART NO. : LPJ15125AENL
	SCALE: 2/1	SHEET: 4/4
	REV: A	DWG NO. : LP10012912