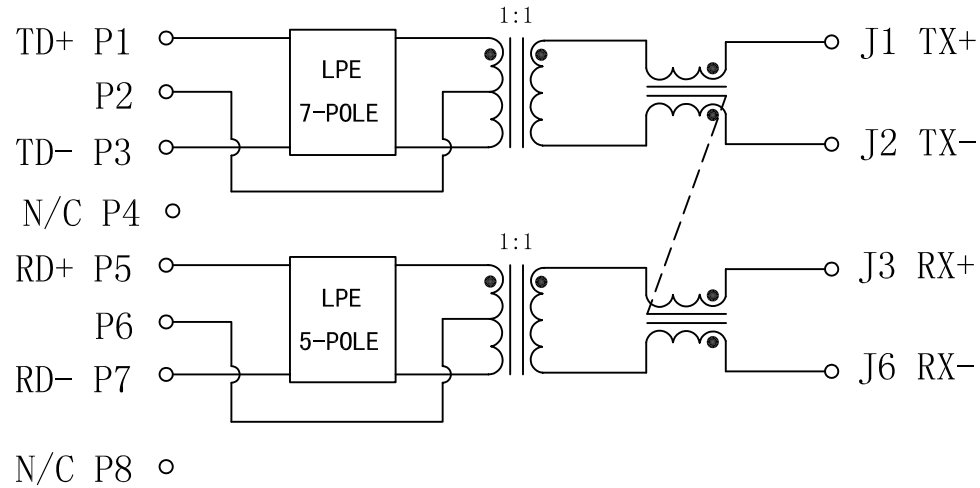


Schematic:

REV.	ECN NO.	DESCRIPTION	DATE	APPD
A	REL		10/05/2008	



Electrical Specifications @25°C

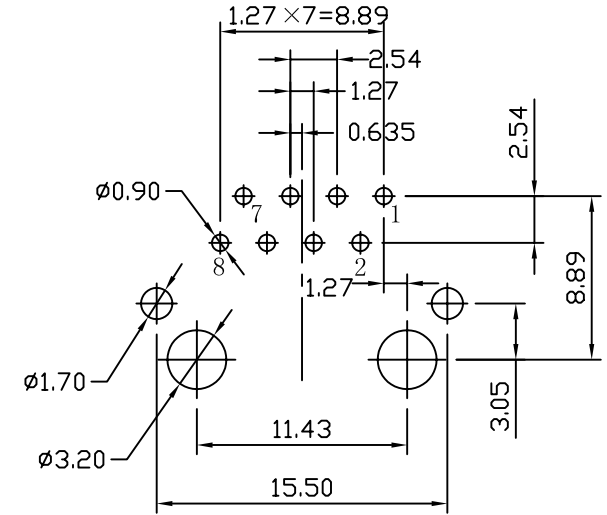
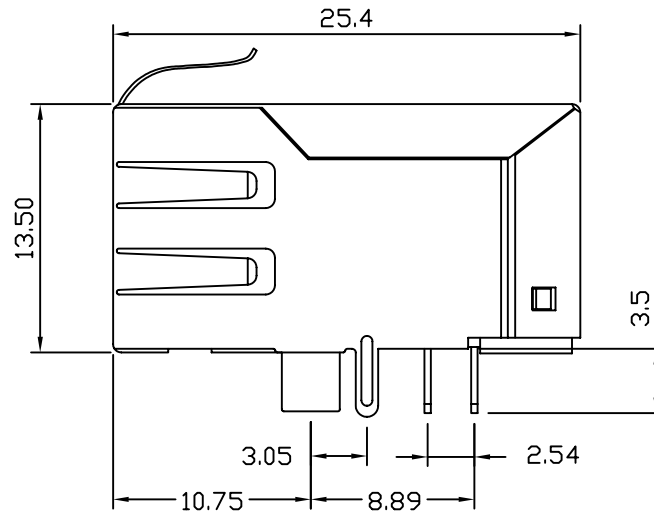
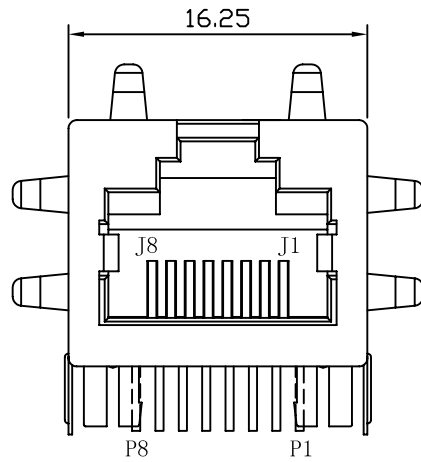
- Turns Ratio:  
TX=1CT:1      RX=1CT:1
- INSERTION LOSS:  
-1dB MAX @ 5MHz TO 10MHz
- RETURN LOSS:  
-18dB MIN @ 5MHz TO 10MHz
- ATTENUATION:  
TRANSMIT      -30dB MIN @ 30MHz  
RECEIVE      -18dB MIN @ 30MHz
- CUTOFF FREQ: 17MHz TYP
- CROSS TALK:  
-30dB MIN @ 1MHz-30MHz
- ISOLATION: 1500Vrms
- Operating Temperature: 0~70°C.



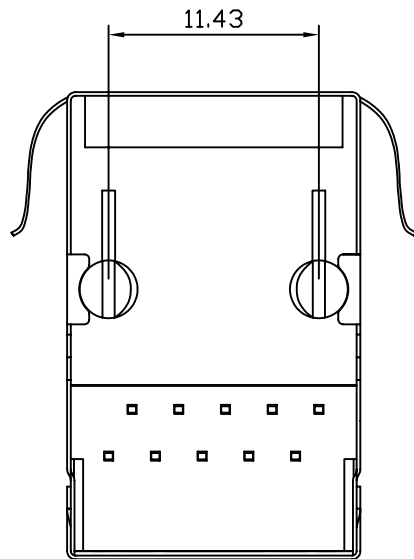
X:X ±0.25	APPD:	LINK-PP INT'L TECHNOLOGY CO., LIMITED		
X:XX ±0.20	CHKD:	TITLE: RJ45 Connector with 10 Base-T Integrated Magnetics		
X:XXX ±0.05	DR: TOM	PART NO.: LPJ1216CNL		
ANGLES ±1°	UNIT: mm			
	SCALE: 2/1	SHEET: 2/2	REV: A	DWG NO.: LP10063005

Mechanical:

REV.	ECN NO.	DESCRIPTION	DATE	APPD
A	REL		10/05/2008	

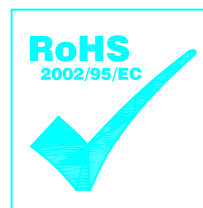


SUGGESTED PCB LAYOUT (TOP VIEW)



NOTES:

1. Designed to support application, such as SOHO (ADSL modems), LAN-on-Motherboard (LOM), hub and Switches.
2. Meets IEEE 802.3 specification
3. Connector Materials:  
 Housing: Thermoplastic UL94V-0  
 Contact/Shield: Copper alloy  
 Shield plating: Nickel  
 Contact plating: Gold 6 micro-inches min. In contact area.
4. Wave solder tip temperature: 265°C Max  
 Wave solder tip temperature time: 5 Sec Max



X:X ±0.25	APPD:	LINK-PP INT'L TECHNOLOGY CO., LIMITED
X:XX ±0.20	CHKD:	
X:XXX ±0.05	DR: TOM	TITLE: RJ45 Connector with 10 Base-T Integrated Magnetics
ANGLES ±1°	UNIT: mm	PART NO.: LPJ1216CNL
	SCALE: 2/1	SHEET: 1/2
	REV: A	DWG NO.: LP10063005