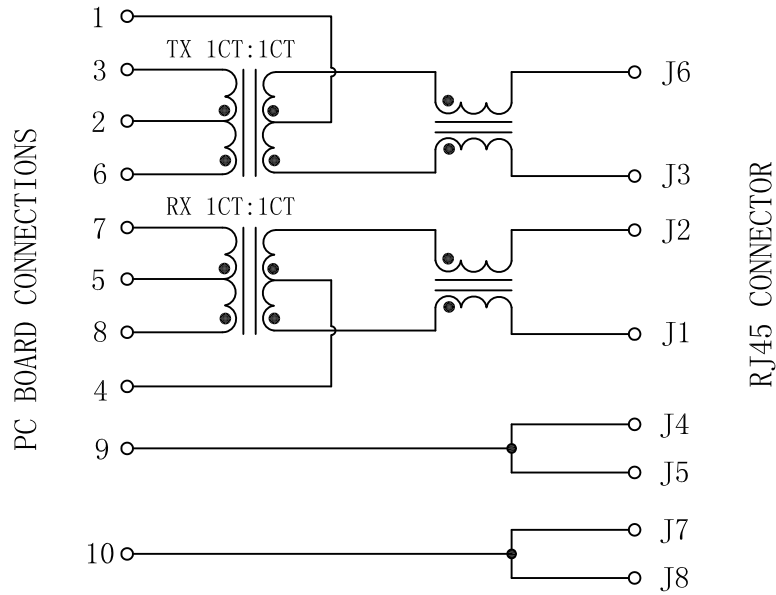


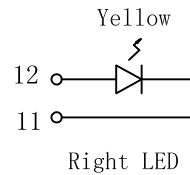
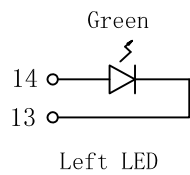
# Schematic:

REV.	ECN NO.	DESCRIPTION	DATE	APPD
A	REL		2014-07-28	



### Electrical Specifications @25°C

- Turns Ratio ( $\pm 3\%$ ) :  
TX=1CT:1CT      RX=1CT:1CT
- OCL: 350uH Min  
@100KHz, 100mV, 8mADC Bias
- Insertion Loss:  
1-100MHz:-1.2dB Max
- Return Loss(dB Min):  
1-30MHz:-16      40MHz:-14  
50MHz:-13      60-80MHz:-12
- Crosstalk(dB Min):  
30MHz:-43      60MHz:-37  
100MHz:-33
- Differential to common mode rejection:  
30MHz:-50dB Min  
60MHz:-43dB Min  
100MHz:-35dB Min
- Isolation Voltage: 1500Vrms
- Operating Temperature Range: 0°C~70°C.

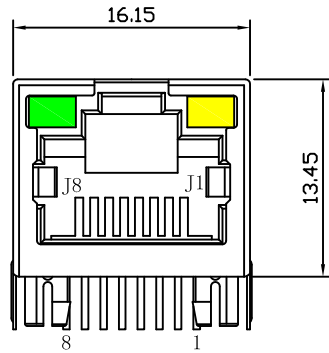


Emitting Color	$\lambda_p$ (nm)	VF@IF=20mA	IR @VR=5V
Green	570	1.8~2.6V	10 $\mu$ A max
Yellow	590	1.8~2.6V	10 $\mu$ A max

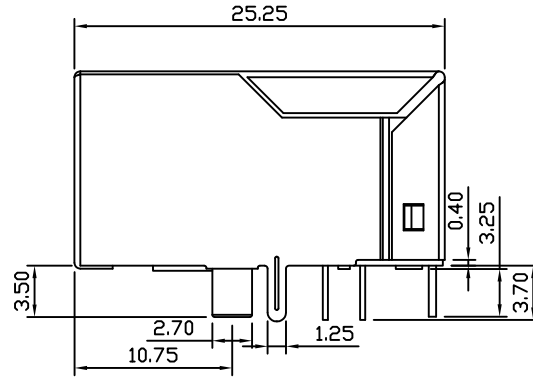
X:X	$\pm 0.30$	APPD:	LINK-PP INT'L TECHNOLOGY CO., LIMITED	
X:XX	$\pm 0.25$	CHKD:	TITLE: RJ45 Connector with 10/100 Base-T Integrated Magnetics For PoE Application	
X:XXX	$\pm 0.05$	DR: TOM	PART NO.: LPJ1175BHNL	
ANGLES	$\pm 1^\circ$	UNIT: mm	DWG NO.: LP14072821	
	SCALE: 2/1	SHEET: 1/2	REV: A	

# Mechanical:

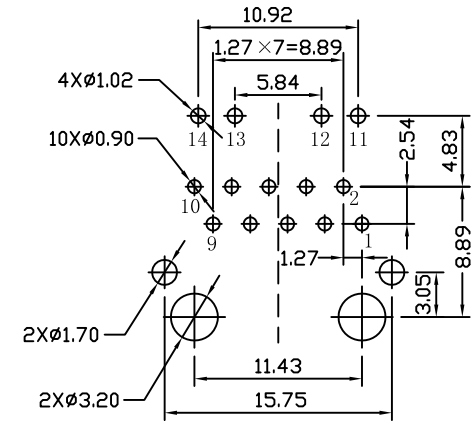
REV.	ECN NO.	DESCRIPTION	DATE	APPD
A	REL		2014-07-28	



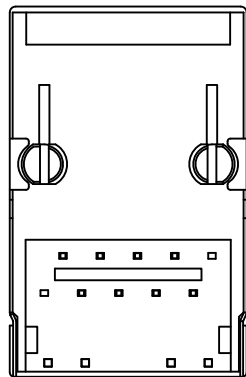
Front Side View



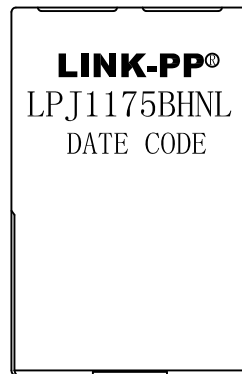
Left Side View



Suggested PCB Layout (Top View)



Bottom Side View



Top Side View

### NOTES:

1. Designed to support application, such as SOHO (ADSL modems), LAN-on-Motherboard (LOM), hub and Switches.
2. Meets IEEE 802.3af specification
3. Designed to handle 350mA DC for PoE
4. Connector Materials:  
 Housing: Thermoplastic PBT+30%G.F UL94V-0  
 Contact: Phosphor Bronze C5210R-EH Thickness=0.35mm  
 Pins: Brass C2680R-H Thickness=0.35mm  
 Shield: SUS 201-1/2H Thickness=0.2mm  
 Contact plating: Gold 6 micro-inches Min. In contact area.
5. Wave solder tip temperature: 265°C Max, 5 Sec Max.

X:X	±0.30	APPD:	LINK-PP INT'L TECHNOLOGY CO., LIMITED	
X:XX	±0.25	CHKD:	TITLE: RJ45 Connector with 10/100 Base-T Integrated Magnetics For PoE Application	
X:XXX	±0.05	DR: TOM	PART NO.: LPJ1175BHNL	
ANGLES	±1°	UNIT: mm	DWG NO.: LP14072821	
		SCALE: 2/1	SHEET: 2/2	REV: A