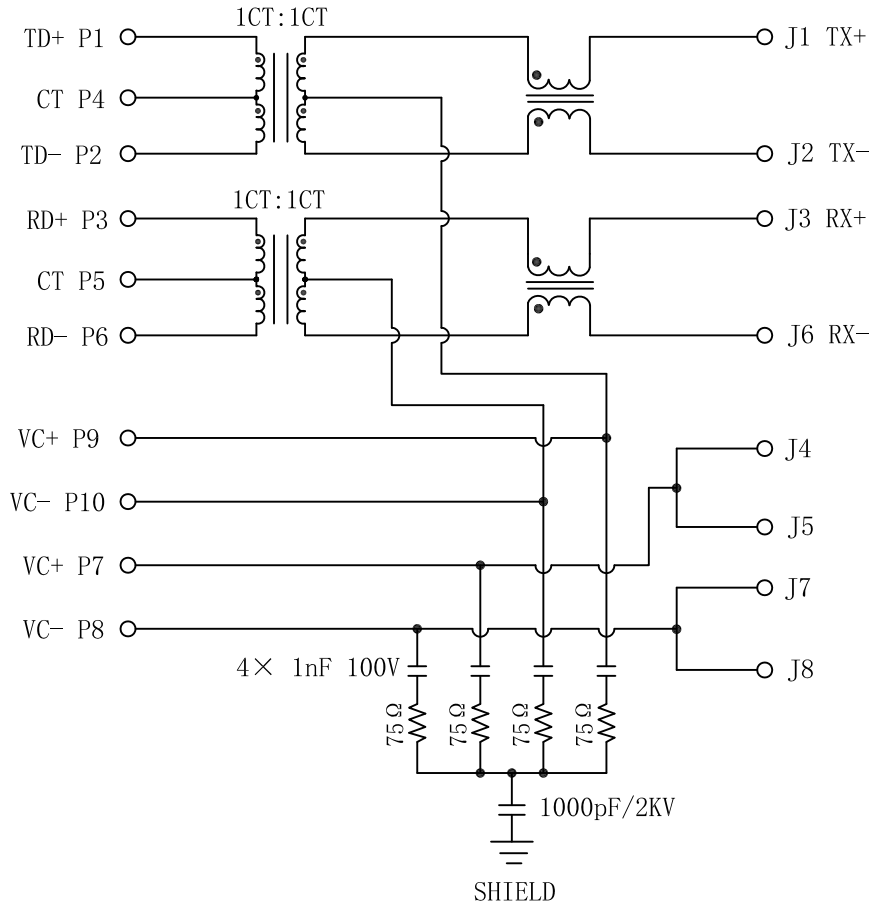


Schematic:

REV.	ECN NO.	DESCRIPTION	DATE	APPD
A	REL		2014-10-25	

PCB CONNECTIONS

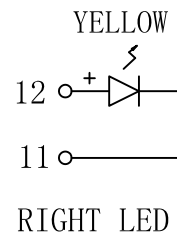
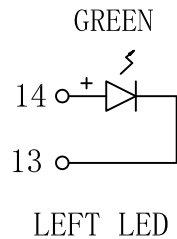


RJ45 CONNECTOR

Electrical Specification @25°C

- Turns Ratio ($\pm 3\%$) :
TX=1CT : 1CT RX=1CT : 1CT
- Insertion Loss:
0.3~100MHz:-1.0dB Max
- Return Loss:
1~30MHz:-20dB Min.
30~60MHz:-15dB Min.
60~80MHz:-10dB Min.
- Crosstalk:
1~100MHz:-30dB Min
- Common to Common Mode Rejection:
1~100MHz:-30dB Min
- OCL: 350uH MIN
@100KHz, 0.1V, 8mA DC Bias
- Hipot Test: 1500Vrms/0.5mA/2SEC
- Balanced DC line current:
350mA Max @57VDC continuous
500mA Max @57VDC for 200 milliseconds
- Operating Temperature: 0°C~70°C

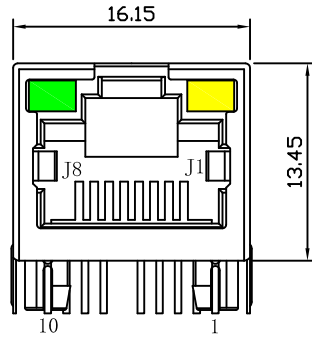
Emitting Color	λ p(nm)	VF@IF=20mA	IR @VR=5V
GREEN	565	1.8~2.6V	10 μ A max
YELLOW	585	1.8~2.6V	10 μ A max



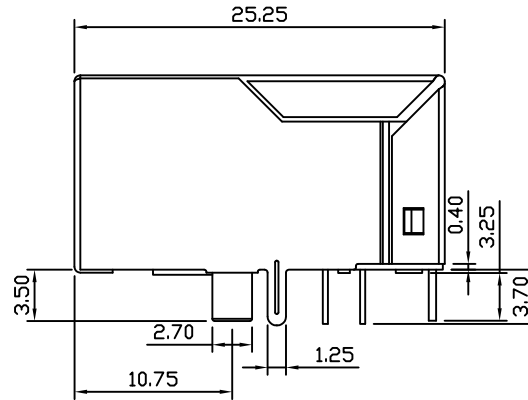
X:X	± 0.30	APPD:	LINK-PP INT'L TECHNOLOGY CO., LIMITED	
X:XX	± 0.25	CHKD:	TITLE: RJ45 Connector with 10/100 Base-T Integrated Magnetics For PoE Application	
X:XXX	± 0.05	DR: TOM	PART NO. : LPJ1153BHNL	
ANGLES	$\pm 1^\circ$	UNIT: mm		
	SCALE: 2/1	SHEET: 1/2	REV: A	DWG NO. : LP14110432

Mechanical:

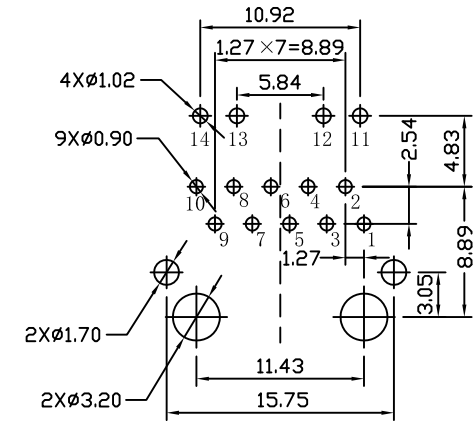
REV.	ECN NO.	DESCRIPTION	DATE	APPD
A	REL		2014-10-25	



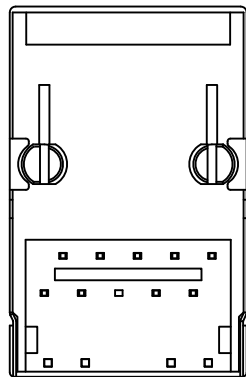
Front Side View



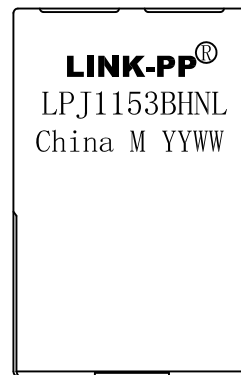
Left Side View



Suggested PCB Layout (Top View)



Bottom Side View



Top Side View

NOTES:

1. Designed to support application, such as SOHO (ADSL modems), LAN-on-Motherboard (LOM), hub and Switches.
2. Meets IEEE 802.3af specification
3. Connector Materials:
 Housing: Thermoplastic PBT+30%G. F UL94V-0
 Contact: Phosphor Bronze C5210R-EH Thickness=0.35mm
 Pins: Brass C2680R-H Thickness=0.35mm
 Shield: SUS 201-1/2H Thickness=0.2mm
 Contact plating: Gold 6 micro-inches min. In contact area.
4. Wave solder tip temperature: 265°C Max, 5 Sec.
5. UL Certification: File Number E484635.

X:X ±0.30	APPD:	LINK-PP INT'L TECHNOLOGY CO., LIMITED
X:XX ±0.25	CHKD:	
X:XXX ±0.05	DR: TOM	TITLE: RJ45 Connector with 10/100 Base-T Integrated Magnetics For PoE Application
ANGLES ±1°	UNIT: mm	PART NO.: LPJ1153BHNL
	SCALE: 2/1	SHEET: 2/2
	REV: A	DWG NO.: LP14110432