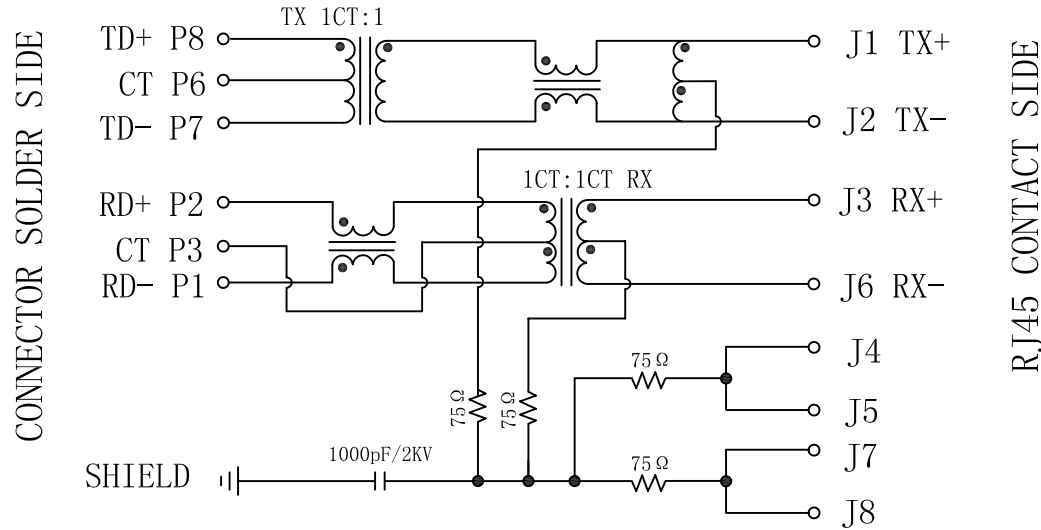
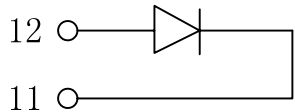


# Schematic:

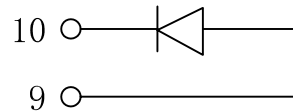
REV.	ECN NO.	DESCRIPTION	DATE	APPD
A	REL		24/07/2008	



YELLOW/LEFT LED



GREEN/RIGHT LED



## ELECTRICAL SPECIFICATIONS

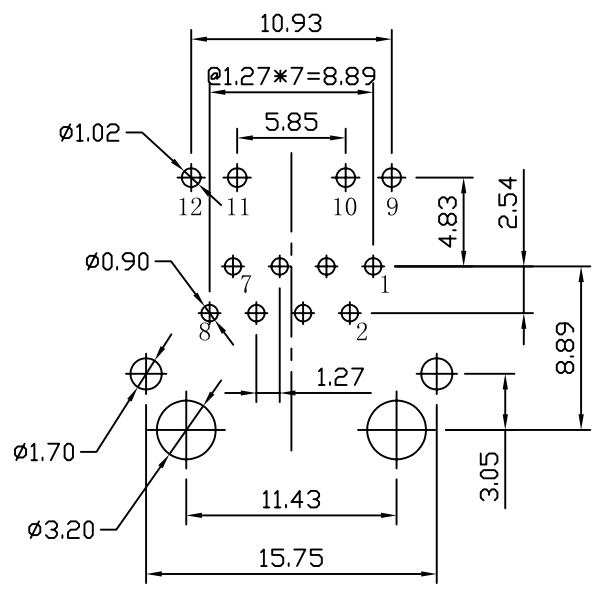
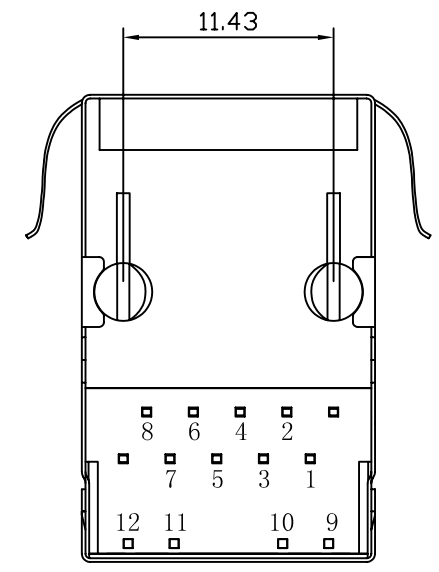
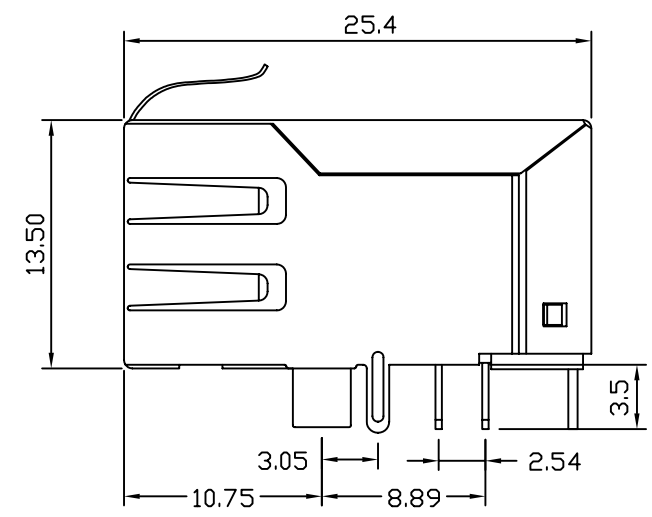
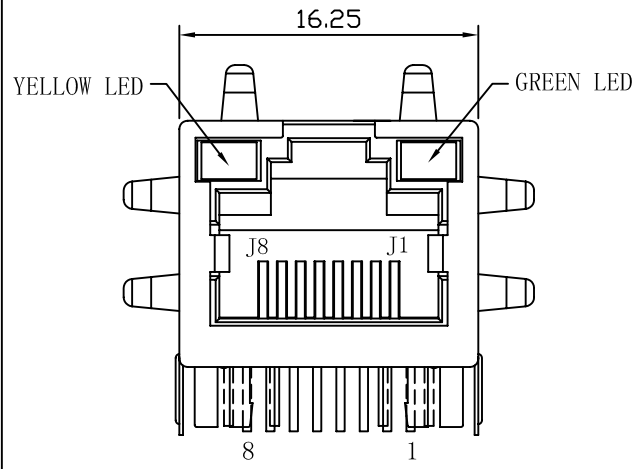
TEST NOTES: (25±5°C)

- Turn Ratio(100KHz, 0.1V):  
(P8-P7) : (J1-J2)=1:1 ±3%  
(P2-P1) : (J3-J6)=1:1 ±3%
- LX(100KHz, 100mV, 8mA, DC Bias):  
(P8, P7), (P2-P1)=350uH MIN
- DCR:  
(P8-P7), (J1-J2), (J3-J6)=1.0Ω MAX  
(P2-P1)=1.2Ω MAX
- Hipot:  
(P8, P6, P7) TO (J1, J2)=1500VAC FOR 60 SEC  
(P2, P3, P1) TO (J3, J6)=1500VAC FOR 60 SEC
- Insertion Loss:  
-1.0dB MAX @ 0.1-100MHz
- Return Loss:  
-20dB MIN @ 1-30MHz  
-15dB MIN @ 30-60MHz  
-10dB MIN @ 60-80MHz
- Cross talk:  
-30dB MIN @ 1-100MHz
- Common To Common Mode Rejection:  
-30dB MIN @ 1-100MHz
- LED Lamp:  
Wave Length: GREEN/YELLOW: 570nm/590nm  
Forward Voltage(Vf):  
1.8V-2.6V (Test Condition: 20mA)
- Operating Temperature Range: 0°C TO 70°C

X:X ±0.25	APPD:	LINK-PP INT'L TECHNOLOGY CO., LIMITED		
X:XX ±0.20	CHKD:	TITLE: RJ45 Connector with 10/100 Base-T Integrated Magnetics		
X:XXX ±0.05	DR: TOM	PART NO.: LPJ1106AANL		
ANGLES ±1°	UNIT: mm			
	SCALE: 2/1	SHEET: 1/2	REV: A	DWG NO.: LP09011603

# Mechanical:

REV.	ECN NO.	DESCRIPTION	DATE	APPD
A	REL		24/07/2008	



SUGGESTED PCB LAYOUT (TOP VIEW)



## NOTES:

1. Designed to support application, such as SOHO (ADSL modems), LAN-on-Motherboard (LOM), hub and Switches.
2. Meets IEEE 802.3 specification
3. Connector Materials:  
 Housing: Thermoplastic UL94V-0  
 Contact/Shield: Copper alloy  
 Shield plating: Nickel  
 Contact plating: Gold 6 micro-inches min. In contact area.
4. Wave solder tip temperature: 265°C Max  
 Wave solder tip temperature time: 5 Sec Max

X:X ±0.25	APPD:	LINK-PP INT'L TECHNOLOGY CO., LIMITED		
X:XX ±0.20	CHKD:	TITLE: RJ45 Connector with 10/100 Base-T Integrated Magnetics		
X:XXX ±0.05	DR: TOM	PART NO.: LPJ1106AANL		
ANGLES ±1°	UNIT: mm			
	SCALE: 2/1	SHEET: 2/2	REV: A	DWG NO.: LP09011603