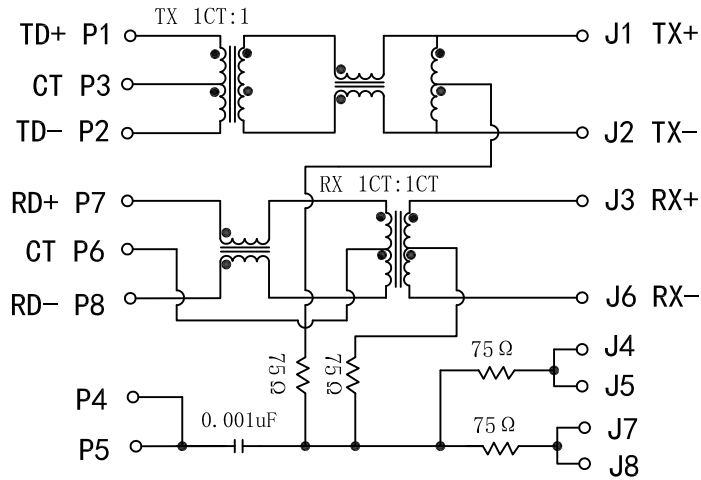


Schematic:

REV.	ECN NO.	DESCRIPTION	DATE	APPD
A	REL		2007-06-08	

PC BOARD CONNECTIONS



RJ45 CONNECTOR

ELECTRICAL SPECIFICATIONS @25°C

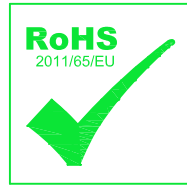
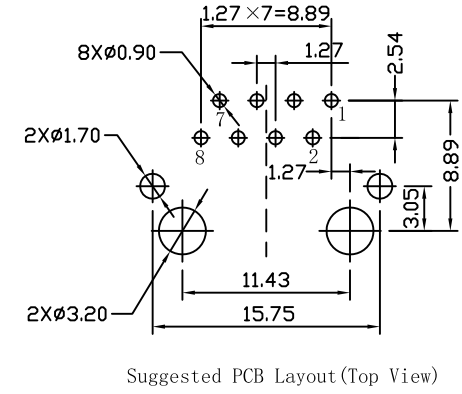
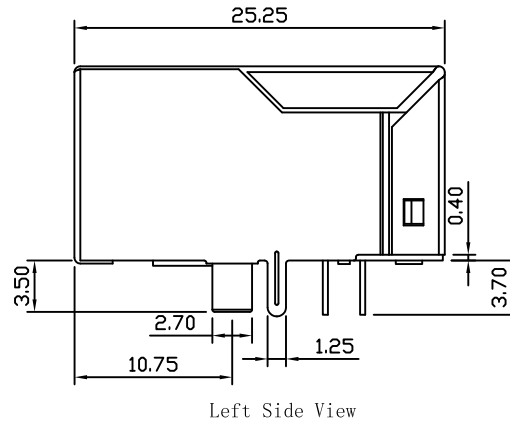
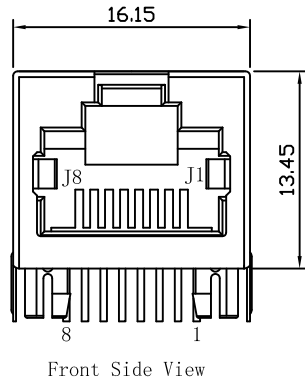
- Turn Ratio:  
TX=1CT : 1      RX=1CT : 1CT
- Inductance OCL: 350uH MIN  
@100KHz 0.1V 8mA DC Bias
- Insertion Loss:  
-1.0dB TYP @1-65MHz
- Return Loss (dB TYP @100 Ω ±15 Ω):  
-20dB TYP @1-10MHz  
-16dB TYP @10-30MHz  
-12dB TYP @30-60MHz  
-10dB TYP @60-100MHz
- Cross talk:  
-40dB TYP @1-30MHz  
-35dB TYP @30-60MHz  
-30dB TYP @60-100MHz
- Common Mode Rejection:  
-30dB TYP @1-50MHz  
-20dB TYP @50-150MHz
- Hipot Test: 1500Vrms @60Hz
- Operating Temperature Range: 0°C to 70°C.



X:X	±0.30	APPD:	LINK-PP INT'L TECHNOLOGY CO., LIMITED	
X:XX	±0.25	CHKD:	TITLE: RJ45 Connector with 10/100 Base-T Integrated Magnetics	
X:XXX	±0.05	DR: TOM	PART NO.: LPJ1026DNL	
ANGLES	±1°	UNIT: mm	DWG NO.: LP07060839	
		SCALE: 2/1	SHEET: 1/2	REV: A

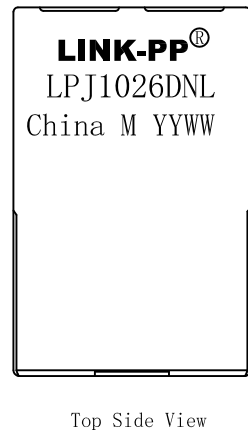
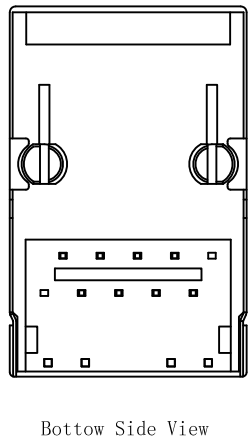
# Mechanical:

REV.	ECN NO.	DESCRIPTION	DATE	APPD
A	REL		2007-06-08	



### NOTES:

1. Designed to support application, such as SOHO (ADSL modems), LAN-on-Motherboard (LOM), hub and Switches.
2. Meets IEEE 802.3 specification
3. Connector Materials:  
 Housing: Thermoplastic PBT+30%G.F UL94V-0  
 Contact: Phosphor Bronze C5210R-EH Thickness=0.35mm  
 Pins: Brass C2680R-H Thickness=0.35mm  
 Shield: SUS 201-1/2H Thickness=0.2mm  
 Contact plating: Gold 6 micro-inches min. In contact area.
4. Wave solder tip temperature: 265°C Max, 5 Sec.
5. UL Certification: File Number E484635.



X:X ±0.30	APPD:	LINK-PP INT'L TECHNOLOGY CO., LIMITED
X:XX ±0.25	CHKD:	
X:XXX ±0.05	DR: TOM	TITLE: RJ45 Connector with 10/100 Base-T Integrated Magnetics
ANGLES ±1°	UNIT: mm	PART NO.: LPJ1026DNL
	SCALE: 2/1	SHEET: 2/2
	REV: A	DWG NO.: LP07060839