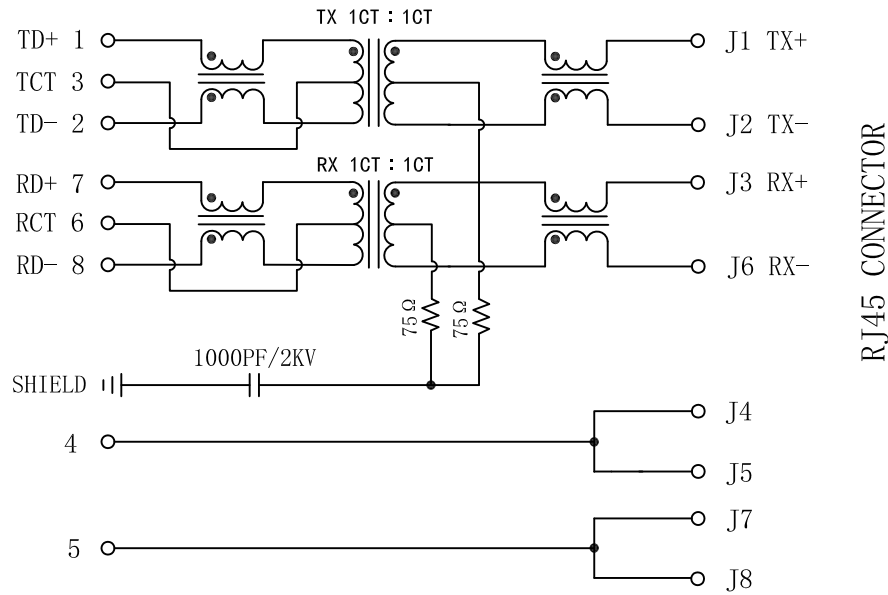


# Schematic:

REV.	ECN NO.	DESCRIPTION	DATE	APPD
A	REL		18/04/2009	

PCB CONNECTIONS

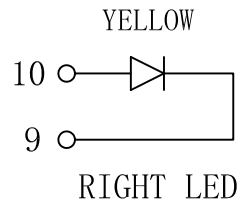
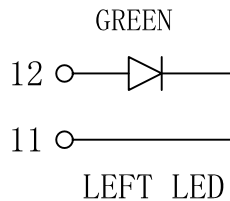


RJ45 CONNECTOR

## Electrical Specifications @25°C

- Transmitter filter & Receiver filter  
Type: Balance low pass 100 Ω impedance
- Turns Ratio:  
TX=1CT:1CT      RX=1CT:1CT
- Inductance OCL: 350uH Min  
@100KHz, 0.1Vrms, 8mA DC Bias.
- Insertion Loss:  
1-100MHz: -1.0dB Max;
- Return Loss:  
1-30MHz: -18dB Min. load 100 Ω  
30-60MHz: -16dB Min. load 100 Ω  
60-80MHz: -12dB Min. load 100 Ω
- Crosstalk:  
1-100MHz: -30dB Min
- Common Mode Rejection :  
1-100MHz:-30dB Min
- Isolation Voltage: 1500Vrms.
- Operating Temperature: 0°C~70°C.

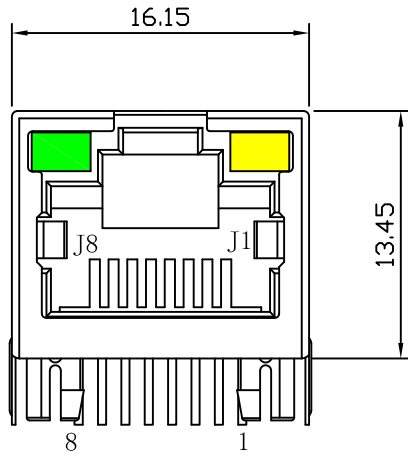
Emitting Color	λ p(nm)	VF@IF=20mA	IR @VR=5V
GREEN	565	1.8~2.4V	10 μ A max
YELLOW	585	1.8~2.4V	10 μ A max



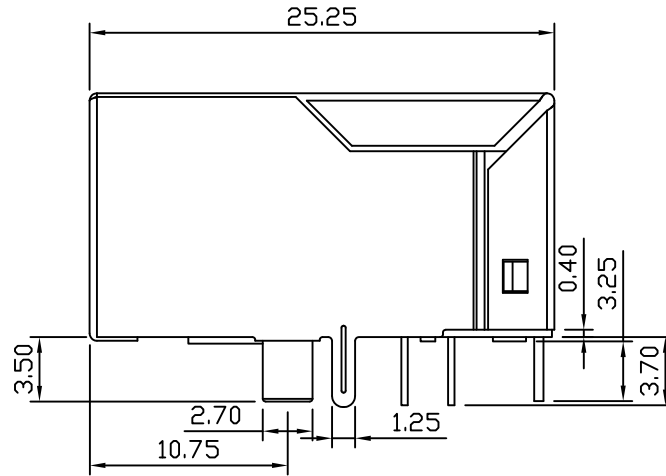
X:X ±0.25	APPD:	LINK-PP INT'L TECHNOLOGY CO., LIMITED
X:XX ±0.20	CHKD:	
X:XXX ±0.05	DR: TOM	TITLE: RJ45 Connector with 10/100 Base-T Integrated Magnetics
ANGLES ±1°	UNIT: mm	PART NO.: LPJ1022BHNL
	SCALE: 2/1	SHEET: 1/2
	REV: A	DWG NO.: LP10052207

# Mechanical:

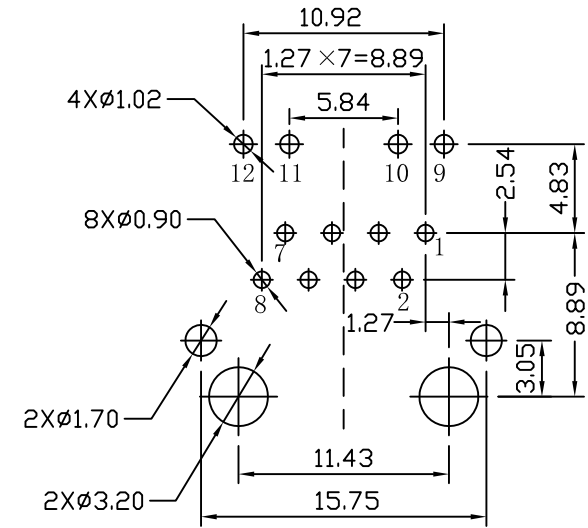
REV.	ECN NO.	DESCRIPTION	DATE	APPD
A	REL		18/04/2009	



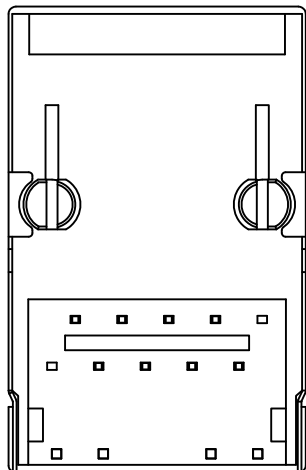
Front Side View



Left Side View



Suggested PCB Layout (Top View)



Bottom Side View



Top Side View

## NOTES:

1. Designed to support application, such as SOHO (ADSL modems), LAN-on-Motherboard (LOM), hub and Switches.
2. Meets IEEE 802.3 specification
3. Connector Materials:  
 Housing Material: Thermoplastic PBT+30%G.F UL94V-0  
 Contact Material: Phosphor Bronze C5210R-EH Thickness=0.35mm  
 Pins: Brass C2680R-H Thickness=0.35mm  
 Shield: SUS 201-1/2H Thickness=0.2mm  
 Contact plating: Gold 6 micro-inches min. In contact area.
4. Wave solder tip temperature: 265°C Max, 5 Sec Max.
5. UL Certification: File Number E484635.

X:X	±0.25	APPD:	LINK-PP INT'L TECHNOLOGY CO., LIMITED	
X:XX	±0.20	CHKD:	TITLE: RJ45 Connector with 10/100 Base-T Integrated Magnetics	
X:XXX	±0.05	DR: TOM	PART NO.: LPJ1022BHNL	
ANGLES	±1°	UNIT: mm	DWG NO.: LP10052207	
		SCALE: 2/1	SHEET: 2/2	REV: A