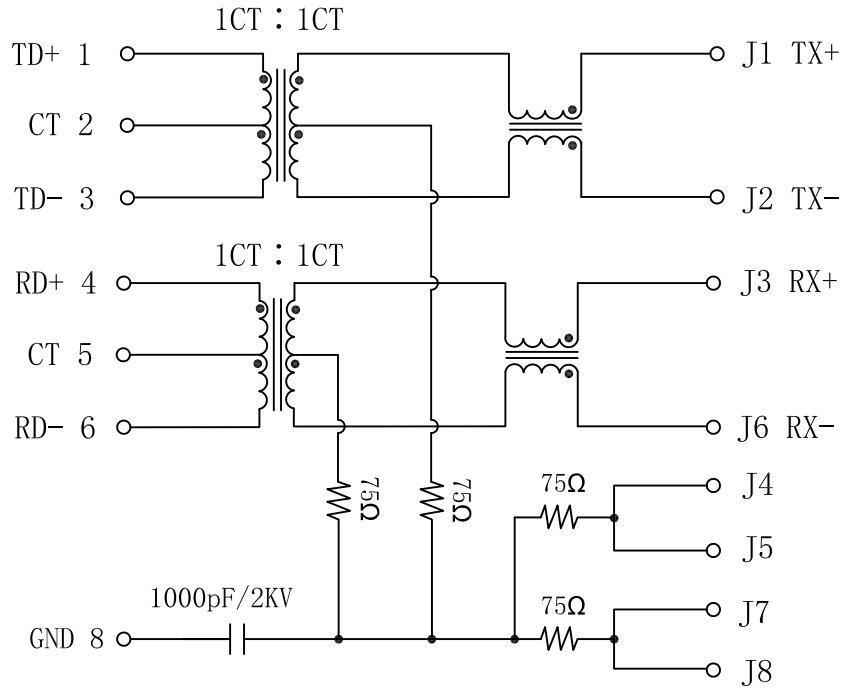


Schematic:

| REV. | ECN NO. | DESCRIPTION | DATE | APPD |
|------|---------|-------------|------------|------|
| A | REL | | 2010-06-24 | |

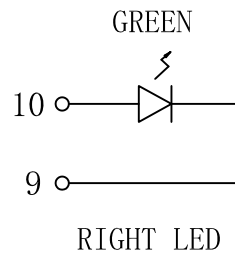
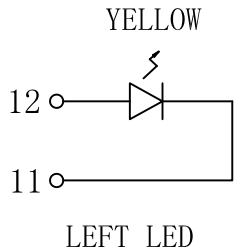
PC BOARD CONNECTIONS



RJ45 CONNECTOR

Electrical Specifications @25°C

- Turns Ratio:
TX = 1CT:1CT RX = 1CT:1CT
- OCL (@100KHz, 0.1V, 8mA DC Bias):
350uH MIN
- Insertion Loss:
1~65MHz: -1.0dB MAX
- Return Loss:
1~10MHz: -2dB MIN.
10~30MHz: -16dB MIN.
30~60MHz: -12dB MIN.
60~100MHz: -10dB MIN.
- Crosstalk:
1~30MHz: -40dB MIN
30~60MHz: -35dB MIN
60~100MHz: -30dB MIN
- Common Mode Rejection:
1~50MHz: -30dB MIN
50~150MHz: -20dB MIN
- Hipot (60Hz/1min): 1500Vrms MIN
- Operating Temperature: 0°C ~ 70°C.

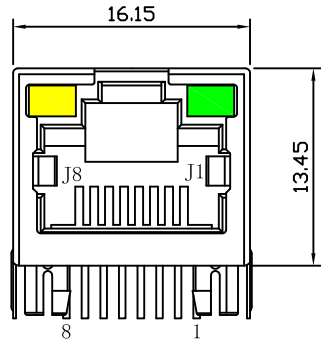


| Emitting Color | λ p(nm) | VF@IF=20mA | IR @VR=5V |
|----------------|-----------------|------------|----------------|
| GREEN | 565 | 1.8~2.6V | 10 μ A max |
| YELLOW | 585 | 1.8~2.6V | 10 μ A max |

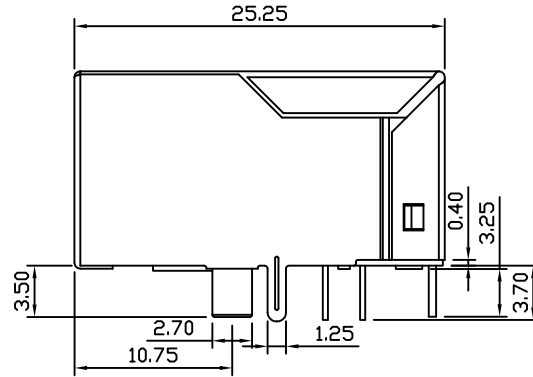
| | | | |
|--------|---------------|------------|---------------------------------------|
| X:X | ± 0.30 | APPD: | LINK-PP INT'L TECHNOLOGY CO., LIMITED |
| X:XX | ± 0.25 | CHKD: | |
| X:XXX | ± 0.05 | DR: TOM | |
| ANGLES | $\pm 1^\circ$ | UNIT: mm | PART NO.: LPJ1014BGNL |
| | SCALE: 2/1 | SHEET: 1/2 | REV: A |
| | | | DWG NO.: LP10062401 |

Mechanical:

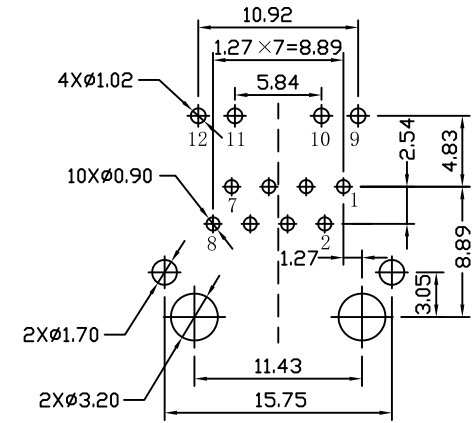
| REV. | ECN NO. | DESCRIPTION | DATE | APPD |
|------|---------|-------------|------------|------|
| A | REL | | 2010-06-24 | |



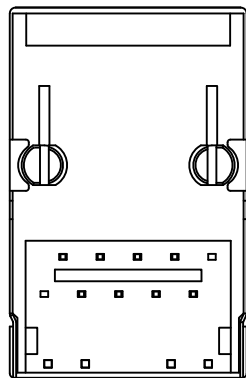
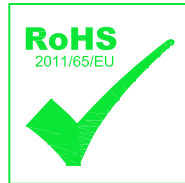
Front Side View



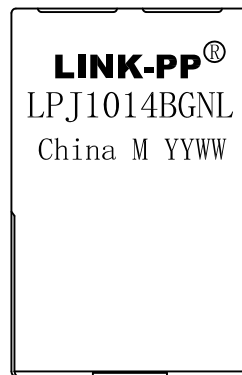
Left Side View



Suggested PCB Layout (Top View)



Bottom Side View



Top Side View

NOTES:

1. Designed to support application, such as SOHO (ADSL modems), LAN-on-Motherboard (LOM), hub and Switches.
2. Meets IEEE 802.3 specification
3. Connector Materials:
 Housing: Thermoplastic PBT+30%G.F UL94V-0
 Contact: Phosphor Bronze C5210R-EH Thickness=0.35mm
 Pins: Brass C2680R-H Thickness=0.35mm
 Shield: SUS 201-1/2H Thickness=0.2mm
 Contact plating: Gold 6 micro-inches min. In contact area.
4. Wave solder tip temperature: 265°C Max, 5 Sec.
5. UL Certification: File Number E484635.

| | | |
|-------------|------------|---|
| X:X ±0.30 | APPD: | LINK-PP INT'L TECHNOLOGY CO., LIMITED |
| X:XX ±0.25 | CHKD: | |
| X:XXX ±0.05 | DR: TOM | TITLE: RJ45 Connector with 10/100 Base-T Integrated Magnetics |
| ANGLES ±1° | UNIT: mm | PART NO.: LPJ1014BGNL |
| | SCALE: 2/1 | SHEET: 2/2 |
| | REV: A | DWG NO.: LP10062401 |