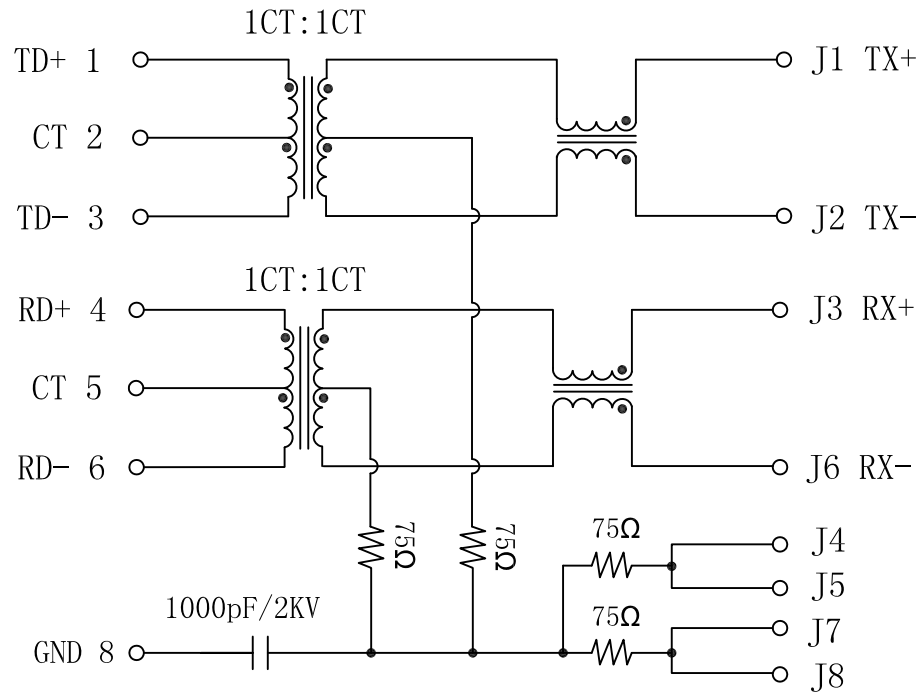


Schematic:

REV.	ECN NO.	DESCRIPTION	DATE	APPD
A	REL		2010/12/21	

PC BOARD CONNECTIONS

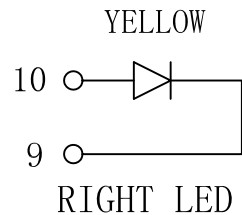
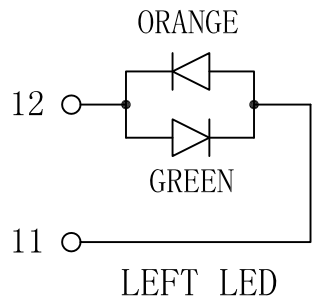


RJ45 CONNECTOR

Electrical Specification:

TEST NOTES (25±5°C)

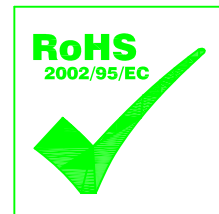
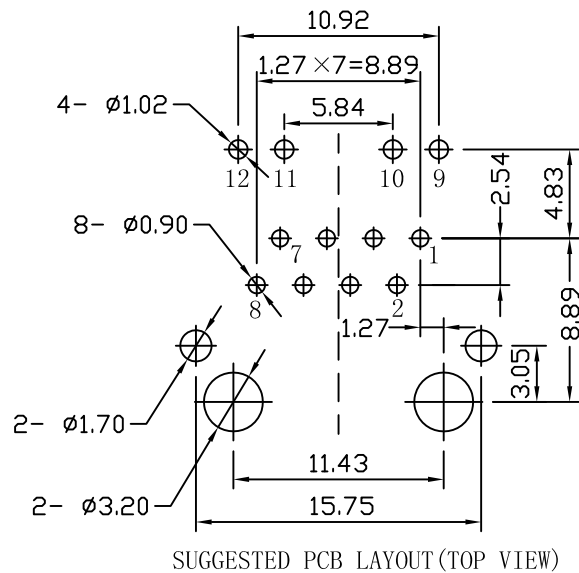
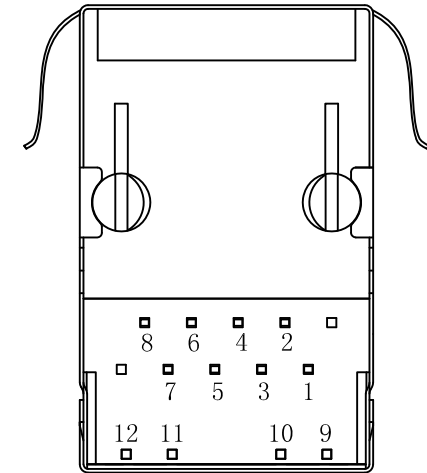
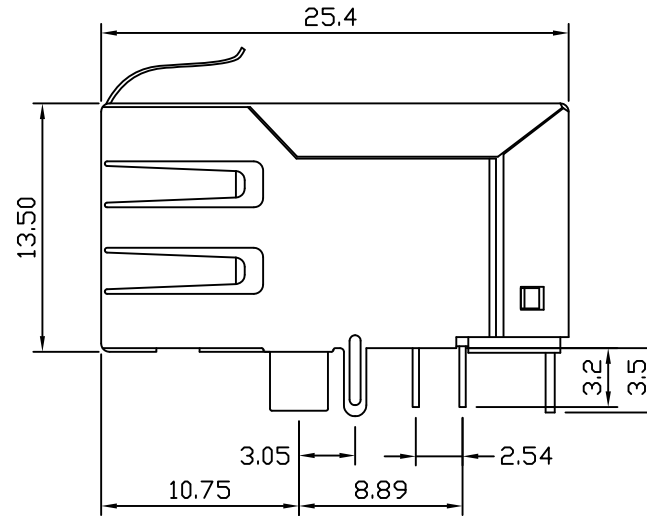
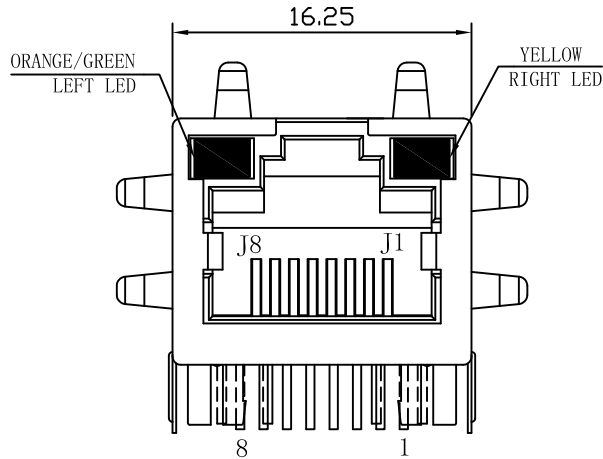
- TR: (100KHZ, 100mV);
TX=1CT:1CT ±3% RX=1CT:1CT ±3%
- LX: (100KHZ, 100mV, 8mA, DC Bias)
PINS: (P1, P3), (P4, P6)=350uH MIN
- HIPOT:
PINS (P1, P2, P3) TO (J1, J2)=1500V
PINS (P4, P5, P6) TO (J3, J6)=1500V
- INSERTION LOSS:
-1.0dB MAX @ 1.0MHZ TO 65MHZ
- RETURN LOSS:
-20dB MIN @ 1MHZ TO 10MHZ
-16dB MIN @ 10MHZ TO 30MHZ
-12dB MIN @ 30MHZ TO 60MHZ
-10dB MIN @ 60MHZ TO 100MHZ
- CROSS TALK:
-40dB MIN @ 1MHZ TO 30MHZ
-35dB MIN @ 30MHZ TO 60MHZ
-30dB MIN @ 60MHZ TO 100MHZ
- COMMON TO COMMON MODE REJECTION:
-30dB MIN @1MHZ TO 50MHZ
-20dB MIN @50MHZ TO 150MHZ
- Operating Temperature: 0°C~70°C.



X:X ±0.25	APPD:	LINK-PP INT'L TECHNOLOGY CO., LIMITED
X:XX ±0.20	CHKD:	
X:XXX ±0.05	DR: TOM	TITLE: RJ45 Connector with 10/100 Base-T Integrated Magnetics
ANGLES ±1°	UNIT: mm	PART NO.: LPJ1014AONL
	SCALE: 2/1	SHEET: 1/2
	REV: A	DWG NO.: LP10122110

Mechanical:

REV.	ECN NO.	DESCRIPTION	DATE	APPD
A	REL		2010/12/21	



NOTES:

1. Designed to support application, such as SOHO (ADSL modems), LAN-on-Motherboard (LOM), hub and Switches.
2. Meets IEEE 802.3 specification
3. Connector Materials:
 Housing: Thermoplastic PBT UL94V-0
 Contact: Phosphor Bronze C5210R-EH Thickness=0.35mm
 Pins: Brass C2680R-H Thickness=0.35mm
 Shield: S304-1/2H Thickness=0.2mm
 Contact plating: Gold 6 micro-inches min. In contact area.
4. Wave solder tip temperature: 260°C
 Wave solder tip temperature time: 5 Sec Max

X:X	± 0.25	APPD:	LINK-PP INT'L TECHNOLOGY CO., LIMITED
X:XX	± 0.20	CHKD:	
X:XXX	± 0.05	DR: TOM	TITLE: RJ45 Connector with 10/100 Base-T Integrated Magnetics
ANGLES	$\pm 1^\circ$	UNIT: mm	PART NO.: LPJ1014AONL
	SCALE: 2/1	SHEET: 2/2	REV: A
			DWG NO.: LP10122110