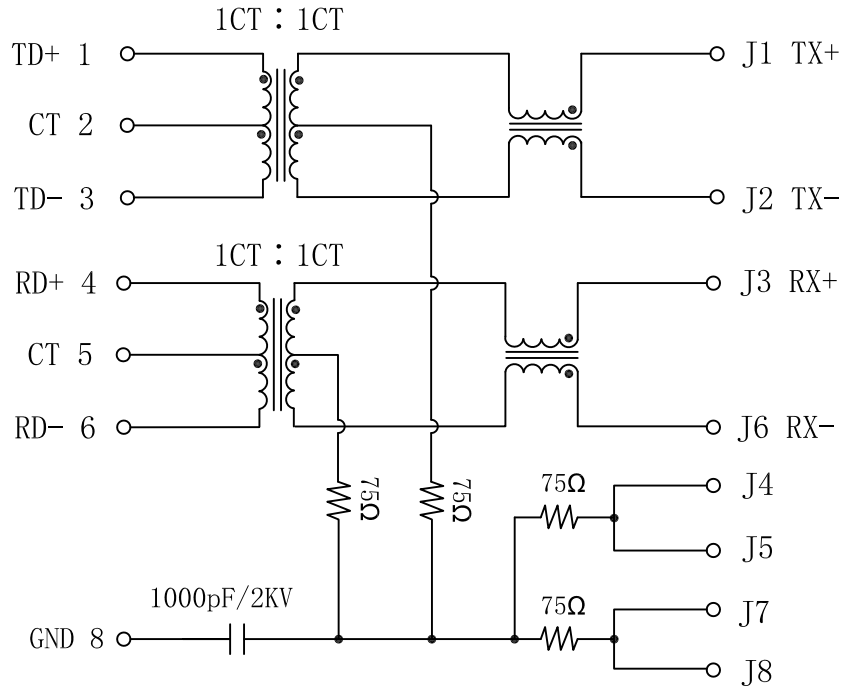


Schematic:

| REV. | ECN NO. | DESCRIPTION | DATE | APPD |
|------|---------|-------------|------------|------|
| A | REL | | 2010-12-21 | |

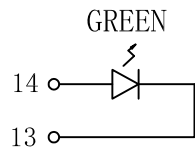
PC BOARD CONNECTIONS



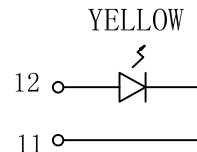
RJ45 CONNECTOR

ELECTRICAL SPECIFICATIONS @25°C

- TR: (@100KHz, 100mV);
TX=1CT : 1CT ±3% RX=1CT : 1CT ±3%
- LX: (@100KHz, 100mV, 8mA, DC Bias)
PINS: (P1, P3), (P4, P6)=350uH MIN
- HIPOT:
PINS (P1, P2, P3) TO (J1, J2)=1500Vrms
PINS (P4, P5, P6) TO (J3, J6)=1500Vrms
- INSERTION LOSS:
-1dB MAX @ 1~65MHz
- RETURN LOSS:
-20dB MIN @1~10MHz
-16dB MIN @10~30MHz
-12dB MIN @30~60MHz
-10dB MIN @60~100MHz
- CROSS TALK:
-40dB MIN @1~30MHz
-35dB MIN @30~60MHz
-30dB MIN @60~100MHz
- COMMON TO COMMON MODE REJECTION:
-30dB MIN @1~50MHz
-20dB MIN @50~150MHz
- OPERATING TEMPERATURE: 0°C ~70°C.



LEFT LED



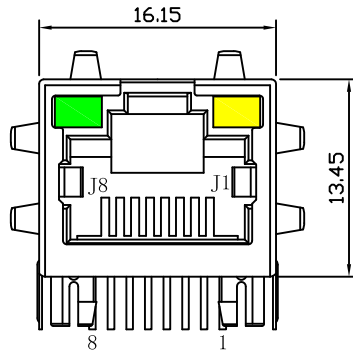
RIGHT LED

| Emitting Color | λ p(nm) | VF@IF=20mA | IR @VR=5V |
|----------------|---------|------------|------------|
| GREEN | 565 | 1.8~2.6V | 10 μ A max |
| YELLOW | 585 | 1.8~2.6V | 10 μ A max |

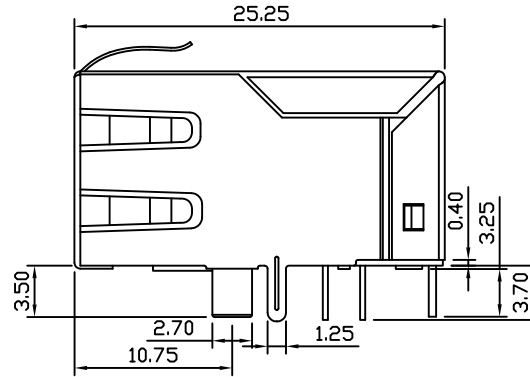
| | | |
|-------------|------------|---|
| X:X ±0.30 | APPD: | LINK-PP INT'L TECHNOLOGY CO., LIMITED |
| X:XX ±0.25 | CHKD: | |
| X:XXX ±0.05 | DR: TOM | TITLE: RJ45 Connector with 10/100 Base-T Integrated Magnetics |
| ANGLES ±1° | UNIT: mm | PART NO.: LPJ1014AHNL |
| | SCALE: 2/1 | SHEET: 1/2 |
| | REV: A | DWG NO.: LP110122112 |

Mechanical:

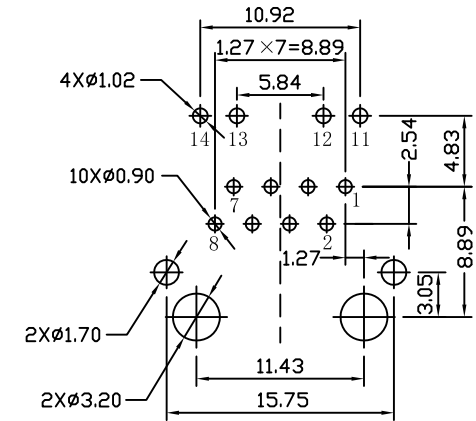
| REV. | ECN NO. | DESCRIPTION | DATE | APPD |
|------|---------|-------------|------------|------|
| A | REL | | 2010-12-21 | |



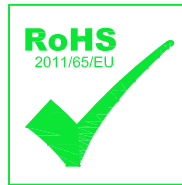
Front Side View



Left Side View

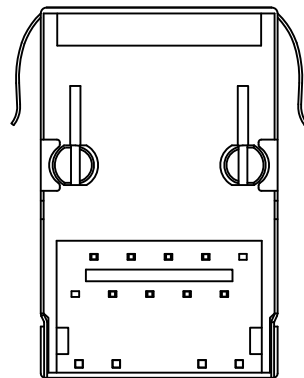


Suggested PCB Layout (Top View)



NOTES:

1. Designed to support application, such as SOHO (ADSL modems), LAN-on-Motherboard (LOM), hub and Switches.
2. Meets IEEE 802.3 specification
3. Connector Materials:
 Housing: Thermoplastic PBT+30%G. F UL94V-0
 Contact: Phosphor Bronze C5210R-EH Thickness=0.35mm
 Pins: Brass C2680R-H Thickness=0.35mm
 Shield: SUS 201-1/2H Thickness=0.2mm
 Contact plating: Gold 6 micro-inches min. In contact area.
4. Wave solder tip temperature: 265°C Max, 5 Sec.
5. UL Certification: File Number E484635.



Bottom Side View



Top Side View

| | | |
|-------------|------------|---|
| X:X ±0.30 | APPD: | LINK-PP INT'L TECHNOLOGY CO., LIMITED |
| X:XX ±0.25 | CHKD: | |
| X:XXX ±0.05 | DR: TOM | TITLE: RJ45 Connector with 10/100 Base-T Integrated Magnetics |
| ANGLES ±1° | UNIT: mm | PART NO.: LPJ1014AHNL |
| | SCALE: 2/1 | SHEET: 2/2 |
| | REV: A | DWG NO.: LP110122112 |