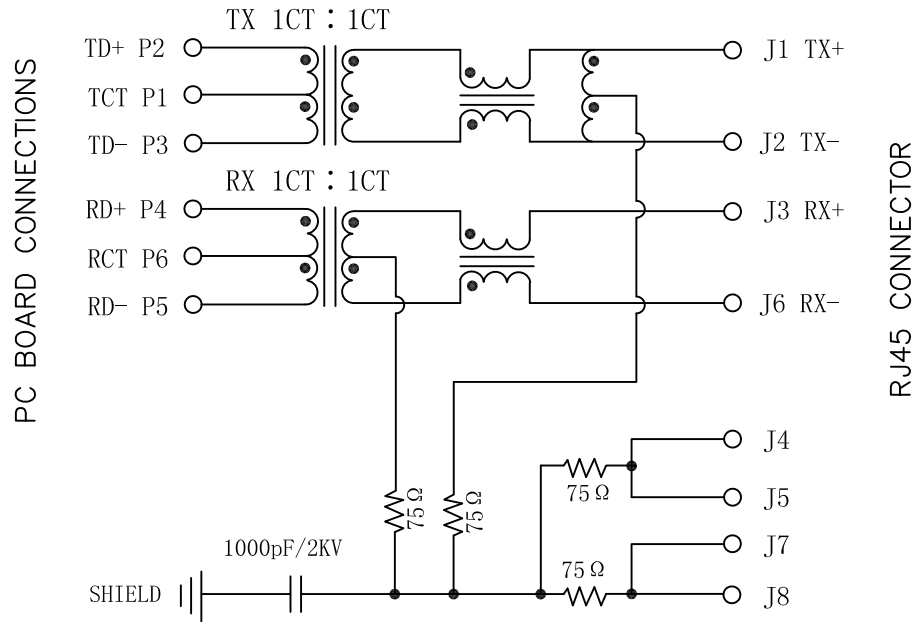


Schematic:

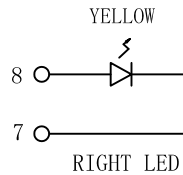
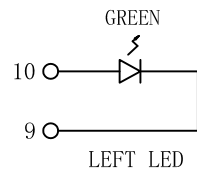
REV.	ECN NO.	DESCRIPTION	DATE	APPD
B	REL		2010-11-12	



Electrical Specifications @25°C

- Turns Ratio ($\pm 5\%$):
TX=1CT:1 RX=1CT:1CT
- Inductance (100KHz/0.1V@8mA):
350uH min
- Insertion Loss:
1-100MHz: -1.0dB max
- Return Loss (dB min):
1-30MHz: -18
30-60MHz: -18+20Log(f/30)
60-80MHz: -12
- Crosstalk:
0.3-100MHz: -35dB min
- Cm-Cm Rejection:
0.3-100MHz: -30dB min
- Cm-Dm Rejection:
0.3-100MHz: -35dB min
- Hipot: 1500Vrms MIN
- Operating Temperature: 0°C ~ 70°C.

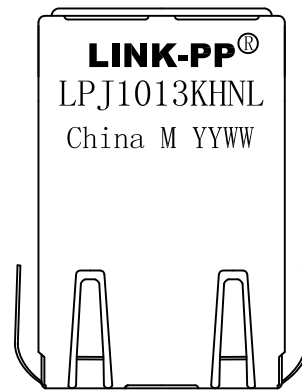
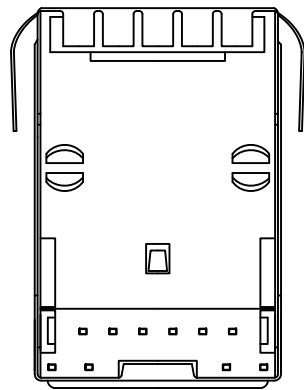
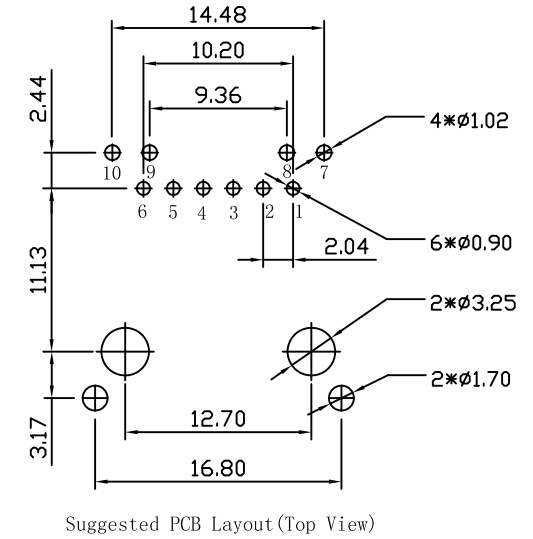
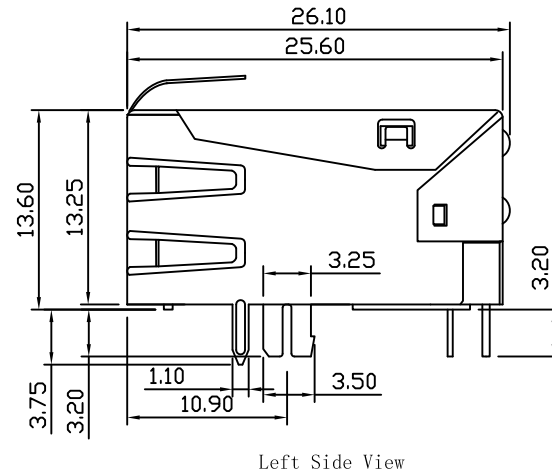
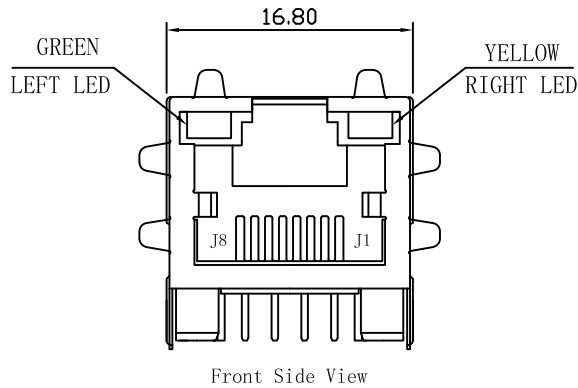
Emitting Color	λ_p (nm)	V _F @I _F =20mA	I _R @V _R =5V
GREEN	565	1.8~2.6V	10 μ A max
YELLOW	585	1.8~2.6V	10 μ A max



X:X	± 0.30	APPD:	LINK-PP INT'L TECHNOLOGY CO., LIMITED	
X:XX	± 0.25	CHKD:	TITLE: RJ45 Connector with 10/100 Base-T Integrated Magnetics	
X:XXX	± 0.05	DR: TOM		
ANGLES	$\pm 1^\circ$	UNIT: mm	PART NO.: LPJ1013KHNL	
	SCALE: 2/1	SHEET: 1/2	REV: B	DWG NO.: LP10111208

Mechanical:

REV.	ECN NO.	DESCRIPTION	DATE	APPD
B	REL		2010-11-12	



NOTES:

1. Designed to support application, such as SOHO (ADSL modems), LAN-ON-Motherboard (LOM), hub and Switches.
2. Meets IEEE 802.3 specification
3. Connector Materials:
 Housing Material: Thermoplastic PA66+30%G.F UL94V-0
 Contact Material: Phosphor Bronze C5210R-EH Thickness=0.35mm
 Pins: Brass C2680R-H Thickness=0.35mm
 Contact plating: Gold 6 micro-inches min. In contact area.
4. Wave solder tip temperature: 265°C Max 5 Sec.
5. UL Certification: File Number E484635.

X:X	± 0.30	APPD:	LINK-PP INT'L TECHNOLOGY CO., LIMITED
X:XX	± 0.25	CHKD:	
X:XXX	± 0.05	DR: TOM	TITLE: RJ45 Connector with 10/100 Base-T Integrated Magnetics
ANGLES	$\pm 1^\circ$	UNIT: mm	PART NO.: LPJ1013KHNL
	SCALE: 2/1	SHEET: 2/2	REV: B
			DWG NO.: LP10111208