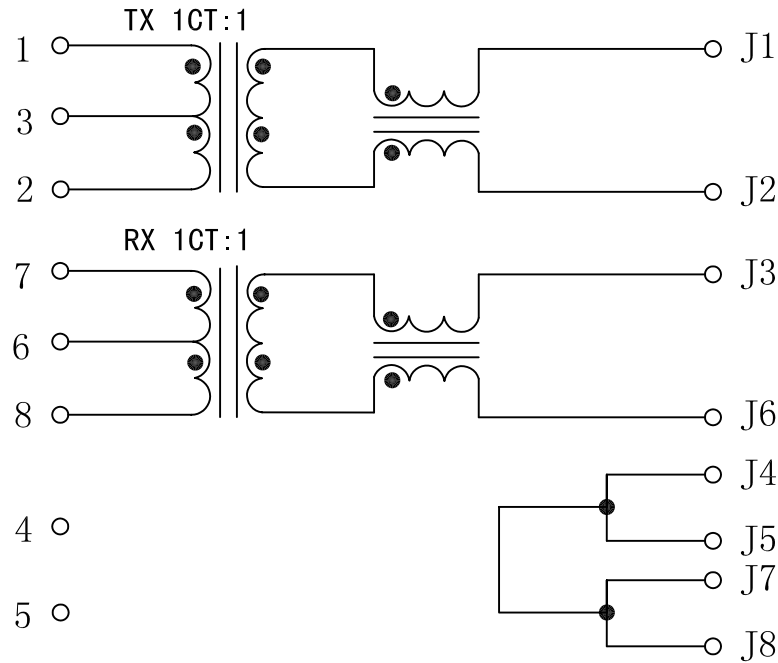


Schematic:

REV.	ECN NO.	DESCRIPTION	DATE	APPD
A	REL		2008/05/10	

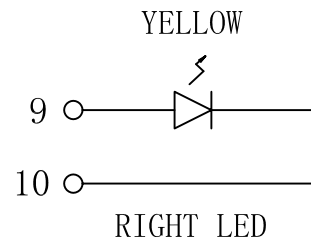
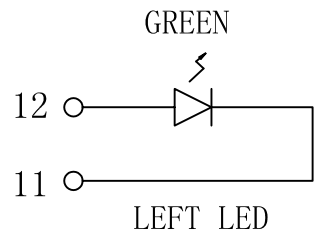
PC BOARD CONNECTIONS



RJ45 CONNECTOR

Electrical Specification @25°C

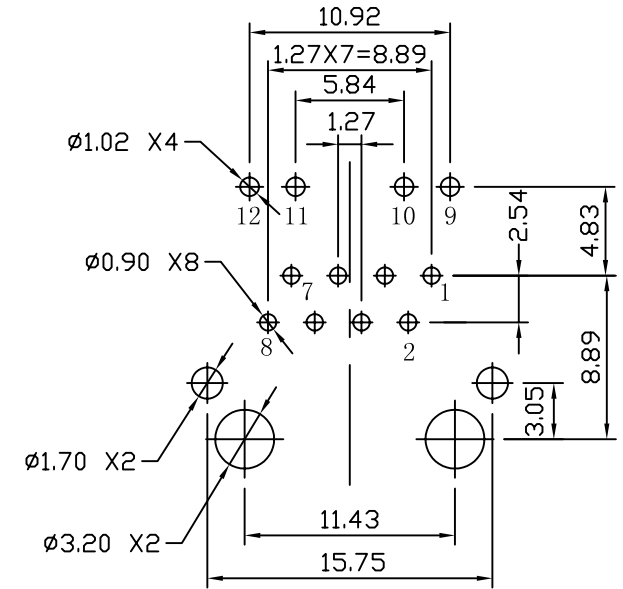
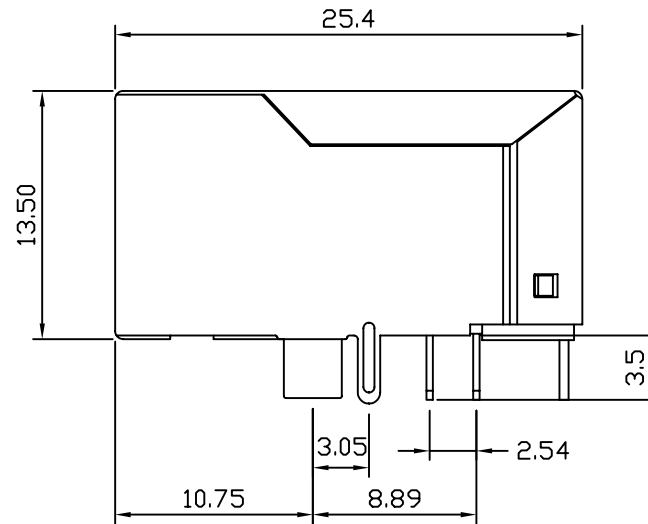
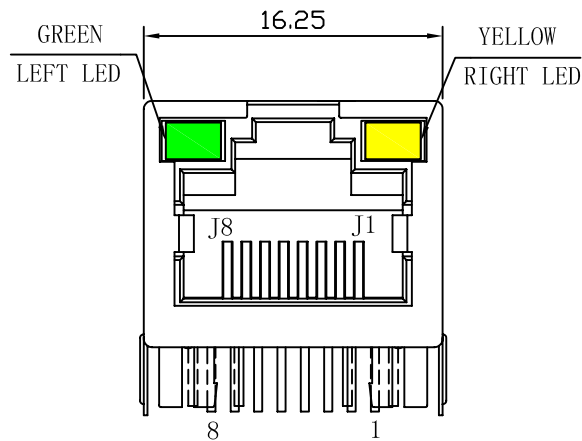
1. OCL: 350uH MIN
@100KHz, 0.1Vrms, 8mADC BIAS
2. Turns Ratio ($\pm 2\%$):
TX=1CT:1 RX=1CT:1
3. Insertion Loss:
1-65MHz: -1.2dB Max
4. Return Loss(dB Min):
1-10MHz:-20 10-30MHz:-16
30-60MHz:-12 60-80MHz:-10
5. Crosstalk(dB Min):
1-30MHz:-40 30-60MHz:-35
60-100MHz:-30dB
6. CMR(dB Min):
1-50MHz:-30 50-150MHz:-20
7. Isolation Voltage: 1500Vrms Min
8. Operating Temperature: 0°C~70°C



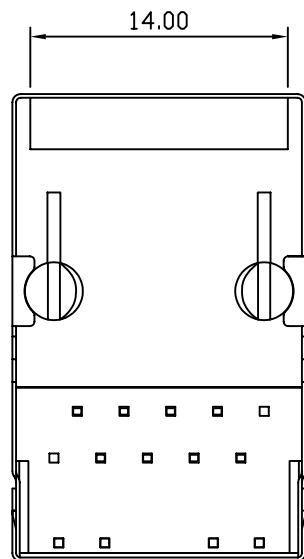
X:X ±0.25	APPD:	LINK-PP INT'L TECHNOLOGY CO., LIMITED
X:XX ±0.20	CHKD:	
X:XXX ±0.05	DR: TOM	TITLE: RJ45 Connector with 10/100 Base-T Integrated Magnetics
ANGLES $\pm 1^\circ$	UNIT: mm	PART NO.: LPJ1006BBNL
	SCALE: 2/1	SHEET: 1/2
	REV: A	DWG NO.: LP08051001

Mechanical:

REV.	ECN NO.	DESCRIPTION	DATE	APPD
A	REL		2008/05/10	

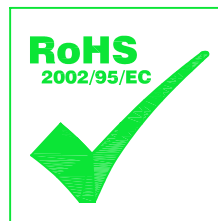


SUGGESTED PCB LAYOUT<TOP VIEW>



NOTES:

1. Designed to support application, such as SOHO (ADSL modems), LAN-on-Motherboard (LOM), hub and Switches.
2. Meets IEEE 802.3 specification
3. Connector Materials:
 Housing: Thermoplastic UL94V-0
 Contact/Shield: Copper alloy
 Shield plating: Nickel
 Contact plating: Gold 6 micro-inches min. In contact area.
4. Wave solder tip temperature: 265°C Max
 Wave solder tip temperature time: 5 Sec Max



X:X	±0.25	APPD:	LINK-PP INT'L TECHNOLOGY CO., LIMITED	
X:XX	±0.20	CHKD:	TITLE: RJ45 Connector with 10/100 Base-T Integrated Magnetics	
X:XXX	±0.05	DR: TOM		
ANGLES	±1°	UNIT: mm	PART NO. : LPJ1006BBNL	
	SCALE: 2/1	SHEET: 2/2	REV: A	DWG NO. : LP08051001