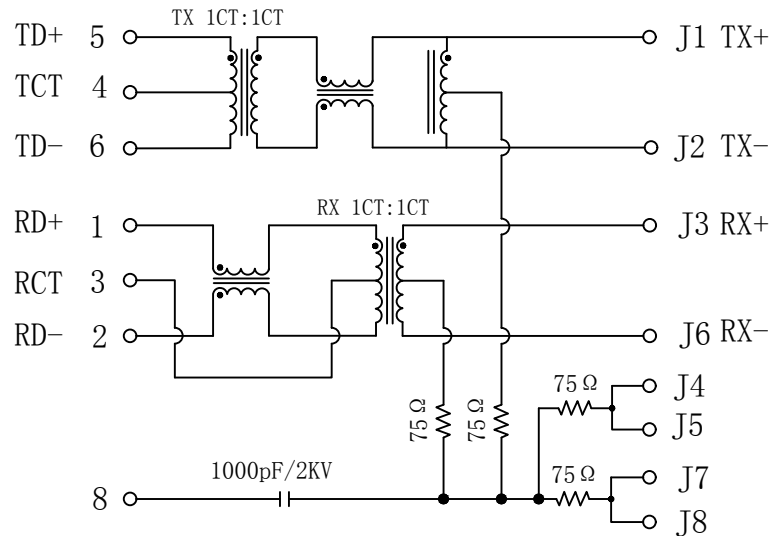


Schematic:

| REV. | ECN NO. | DESCRIPTION | DATE | APPD |
|------|---------|-------------|------------|------|
| A | REL | | 2008-12-12 | |

PC BOARD CONNECTIONS

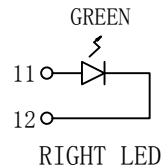
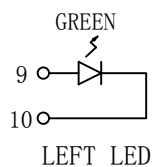


RJ45 CONNECTOR

ELECTRICAL SPECIFICATIONS @25°C

- Turn Ratio():
TX=1CT:1 ±3% RX=1CT:1CT ±3%
- Inductance OCL: 350uH MIN
@100KHz, 100mV, 8mA, DC Bias
- Insertion Loss:
-1.0dB MAX @ 0.3-100MHz
- Return Loss:
-20dB MIN @ 1-30MHz
-15dB MIN @ 30-60MHz
-10dB MIN @ 60-80MHz
- Cross talk:
-30dB MIN @ 1-100MHz
- Common To Common Mode Rejection:
-30dB MIN @ 1-100MHz
- Hipot Test: 1500Vrms MIN
- Operating Temperature: 0°C TO 70°C

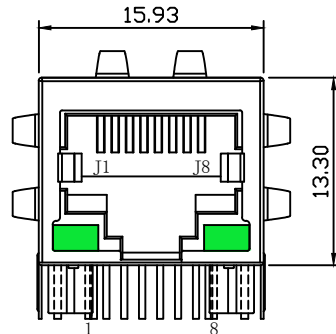
| Emitting Color | λp(nm) | VF@IF=20mA | IR @VR=5V |
|----------------|--------|------------|-----------|
| GREEN | 565 | 1.8~2.6V | 10 μA max |



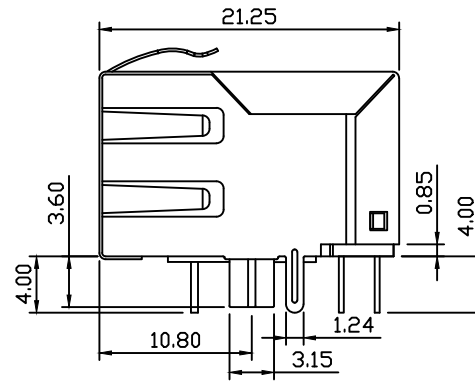
| | | |
|-------------|-------------|---|
| X:X ±0.30 | APPD: TOM | LINK-PP INT'L TECHNOLOGY CO., LIMITED |
| X:XX ±0.25 | CHKD: JAMES | |
| X:XXX ±0.05 | DR: LEO | TITLE: RJ45 Connector with 10/100 Base-T Integrated Magnetics |
| ANGLES ±1° | UNIT: mm | PART NO.: LPJ0413GFNL |
| | SCALE: 2/1 | SHEET: 1/2 |
| | REV: A | DWG NO.: LP08121226 |

Mechanical:

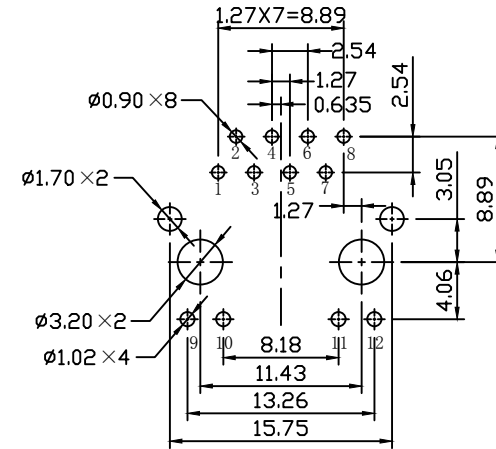
| REV. | ECN NO. | DESCRIPTION | DATE | APPD |
|------|---------|-------------|------------|------|
| A | REL | | 2008-12-12 | |



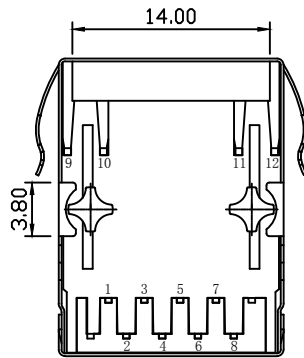
Front Side View



Left Side View



Suggested PCB Layout (Top View)



Bottom Side View



Top Side View

NOTES:

1. Designed to support application, such as SOHO (ADSL modems), LAN-on-Motherboard (LOM), hub and Switches.
2. Meets IEEE 802.3 specification
3. Connector Materials:
 Housing: Thermoplastic PBT+30%G. F UL94V-0
 Contact: Phosphor Bronze C5210R-EH Thickness=0.35mm
 Pins: Brass C2680R-H Thickness=0.35mm
 Shield: SUS 201-1/2H Thickness=0.2mm
 Contact plating: Gold 6 micro-inches min. In contact area.
4. Wave solder tip temperature: 260°C, 5 Sec.
5. UL Certification: File Number E484635.



| | | |
|-------------|-------------|---|
| X:X ±0.30 | APPD: TOM | LINK-PP INT'L TECHNOLOGY CO., LIMITED |
| X:XX ±0.25 | CHKD: JAMES | |
| X:XXX ±0.05 | DR: LEO | TITLE: RJ45 Connector with 10/100 Base-T Integrated Magnetics |
| ANGLES ±1° | UNIT: mm | PART NO.: LPJ0413GFNL |
| | SCALE: 2/1 | SHEET: 2/2 |
| | REV: A | DWG NO.: LP08121226 |