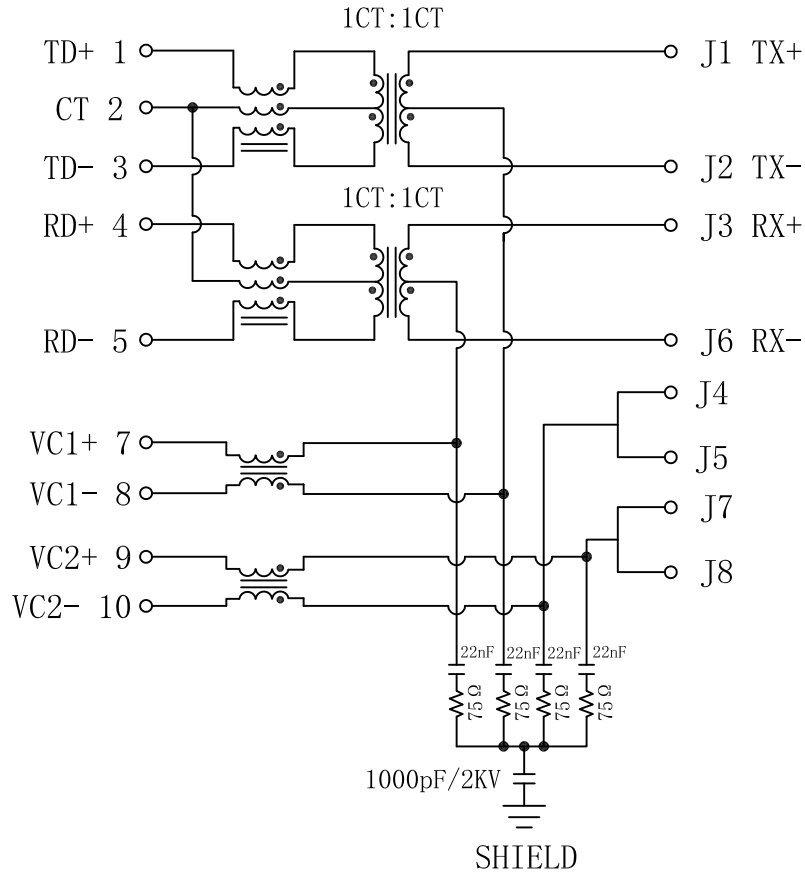


Schematic:

REV.	ECN NO.	DESCRIPTION	DATE	APPD
A	REL		2016-04-16	

PC BOARD CONNECTIONS



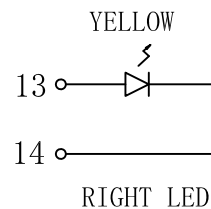
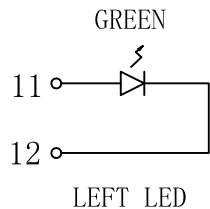
RJ45 CONNECTOR

ELECTRICAL SPECIFICATIONS @25°C

- Turn Ratio: 1CT:1CT ±2%
(P1-P3: J1-J2)
(P4-P5: J3-J6)
- OCL (100KHz, 0.1Vrms, 24mA):
(P1-P3, P4-P5) 350uH Min
- Insertion Loss (dB Max):
100KHz: -1.2
1~125MHz: -0.2-0.002*f^1.4
- Return Loss (dB Min):
1~30MHz: -16
30~60MHz: -10+20*LOG₁₀(f/60MHz)
60~80MHz: -10
- Cross talk (dB Min):
1MHz: -50dB Min
10~100MHz: -55+20*LOG₁₀(f/10)
- Common Mode Rejection Ratio (dB Min):
2MHz: -50
30~200MHz: -15+20*LOG₁₀(f/200)
- DC Current/voltage Rating-pse-pins:
750mA@57V (continuous)
- Isolation: 1500Vrms
- Operating Temperature: 0°C to 70°C.



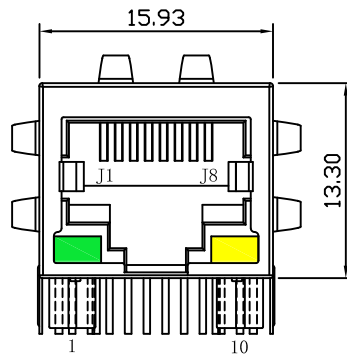
Emitting Color	λp(nm)	VF@IF=20mA	IR @VR=5V
GREEN	565	1.8-2.6V	10 μA max
YELLOW	585	1.8-2.6V	10 μA max



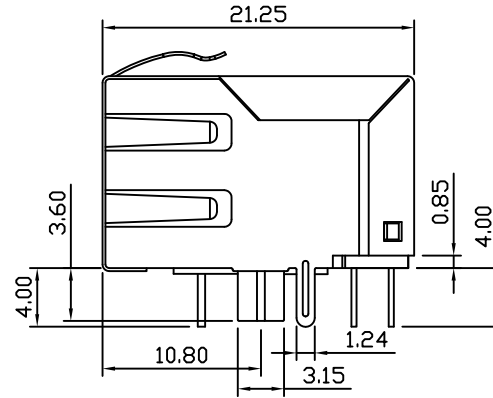
X:X ±0.30	APPD:	LINK-PP INT'L TECHNOLOGY CO., LIMITED
X:XX ±0.25	CHKD:	
X:XXX ±0.05	DR: SEA	TITLE: RJ45 Connector with 10/100 Base-T Integrated Magnetics For PoE+ Application
ANGLES ±1°	UNIT: mm	PART NO.: LPJ0275GENL
	SCALE: 2/1	SHEET: 1/2
	REV: A	DWG NO.: LP16041610

Mechanical:

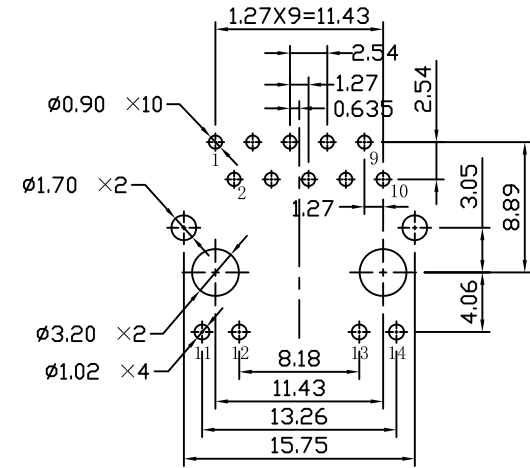
REV.	ECN NO.	DESCRIPTION	DATE	APPD
A	REL		2016-04-16	



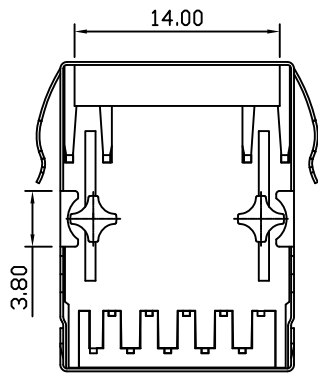
Front Side View



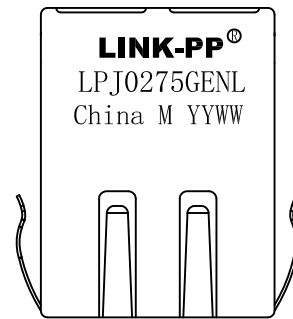
Left Side View



Suggested PCB Layout (Top View)



Bottom Side View



Top Side View

NOTES:

1. Designed to support application, such as SOHO (ADSL modems), LAN-on-Motherboard (LOM), hub and Switches.
2. Meets IEEE 802.3at specification
3. Connector Materials:
 Housing: Thermoplastic PBT+30%G.F UL94V-0
 Contact: Phosphor Bronze C5210R-EH Thickness=0.35mm
 Pins: Brass C2680R-H Thickness=0.35mm
 Shield: SUS 201-1/2H Thickness=0.2mm
 Contact plating: Gold 6 micro-inches min. In contact area.
4. Wave solder tip temperature: 265°C Max, 5 Sec.
5. UL Certification: File Number E484635.

X:X ±0.30	APPD:	LINK-PP INT'L TECHNOLOGY CO., LIMITED
X:XX ±0.25	CHKD:	
X:XXX ±0.05	DR: SEA	TITLE: RJ45 Connector with 10/100 Base-T Integrated Magnetics For PoE+ Application
ANGLES ±1°	UNIT: mm	PART NO.: LPJ0275GENL
	SCALE: 2/1	SHEET: 2/2
	REV: A	DWG NO.: LP16041610