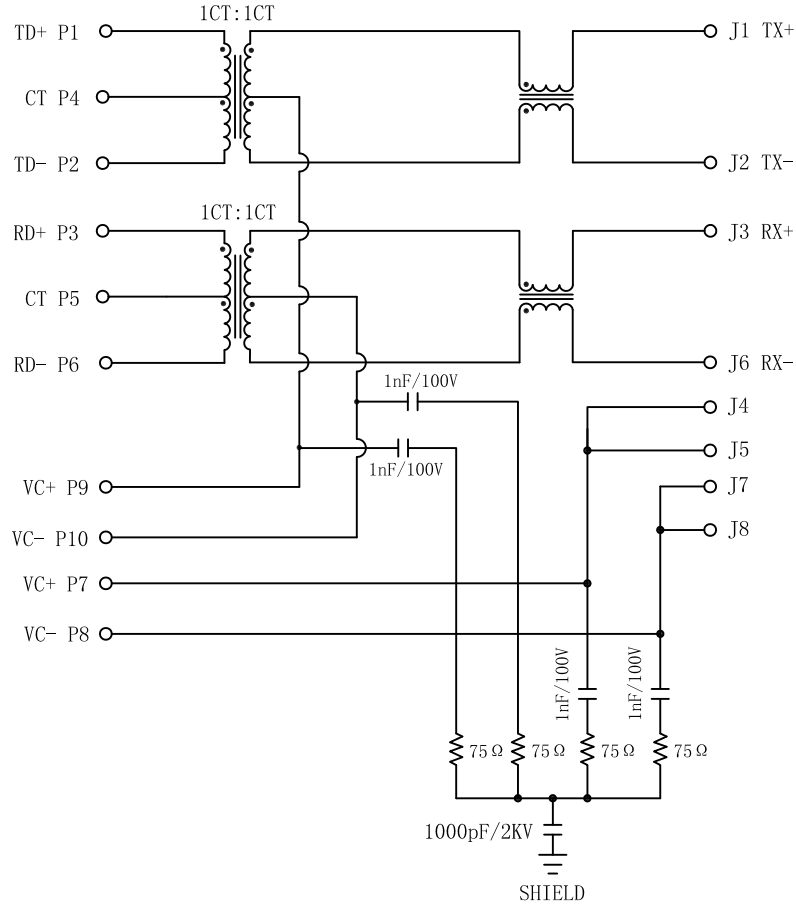


Schematic:

REV.	ECN NO.	DESCRIPTION	DATE	APPD
A	REL		2015-01-22	

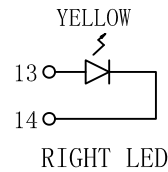
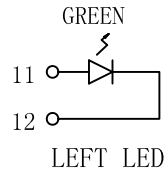
PC BOARD CONNECTIONS



RJ45 CONNECTOR

ELECTRICAL SPECIFICATIONS @25°C

- Turn Ratio ($\pm 3\%$):
TX=1CT:1CT RX=1CT:1CT
- Inductance OCL: 350uH MIN
@ 100KHz, 100mV, 8mA DC Bias
- Insertion Loss:
1-100MHz: -1.0dB MAX
- Return Loss (dB MIN):
1-30MHz: -20 30-60MHz: -15
60-80MHz: -10
- Cross talk:
1-100MHz: -30dB MIN
- Common to Common Mode Rejection:
1-100MHz: -30dB MIN
- Hipot Test: 1500Vrms
- Operating Temperature Range: 0°C TO 70°C



Emitting Color	λ p(nm)	VF@IF=20mA	IR @VR=5V
Green	565	1.8~2.6V	10 μ A max
Yellow	590	1.8~2.6V	10 μ A max

X:X	± 0.30	APPD:	LINK-PP INT'L TECHNOLOGY CO., LIMITED	
X:XX	± 0.25	CHKD:		
X:XXX	± 0.05	DR:	TITLE: RJ45 Connector with 10/100 Base-T Integrated Magnetics For PoE Application	
ANGLES	$\pm 1^\circ$	UNIT: mm	PART NO.: LPJ0257GENL	
	SCALE: 2/1	SHEET: 1/2	REV: A	DWG NO.: LP15012201

