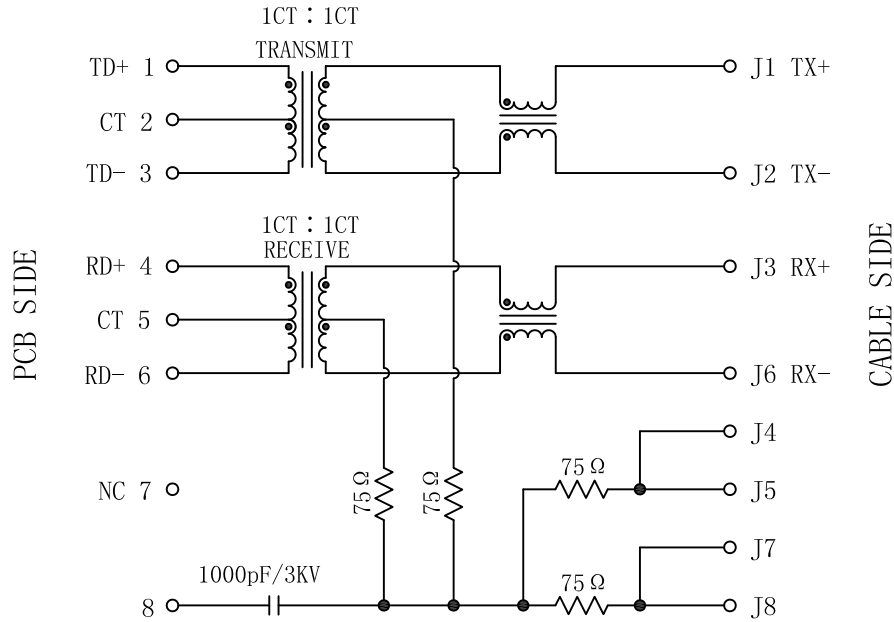


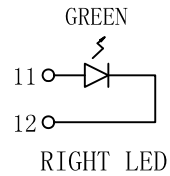
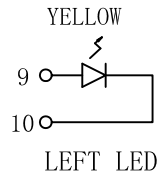
Schematic:

| REV. | ECN NO. | DESCRIPTION | DATE | APPD |
|------|---------|-------------|------------|------|
| A | REL | | 2015-03-10 | |



ELECTRICAL SPECIFICATIONS @25°C

- Turn Ratio ($\pm 3\%$):
TX=1CT : 1CT RX=1CT : 1CT
- Inductance OCL: 350uH MIN
@100KHz 0.1V 8mA DC Bias
- Insertion Loss:
0.5-100MHz: -1.1dB MAX
- Return Loss (dB MIN):
0.5-30MHz: -18
30.1-60MHz: $-18-20\log(f/30)$
60.1-100MHz: -12
- Cross talk (dB MIN):
0.5-40MHz: -35
40.1-100MHz: $-33-20\log(f/50)$
- CMRR:
0.5-100MHz: -30dB MIN
- Hipot: 2250VDC 1mA 60S
- Operating Temperature: 0°C TO 70°C

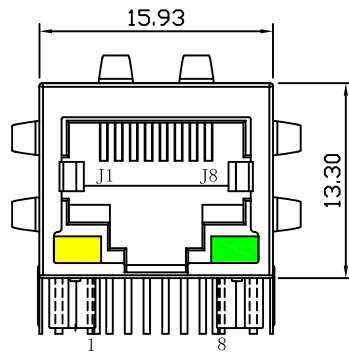


| Emitting Color | λ p(nm) | V _F @I _F =20mA | I _R @V _R =5V |
|----------------|-----------------|--------------------------------------|------------------------------------|
| GREEN | 565 | 1.8~2.6V | 10 μ A max |
| YELLOW | 585 | 1.8~2.6V | 10 μ A max |

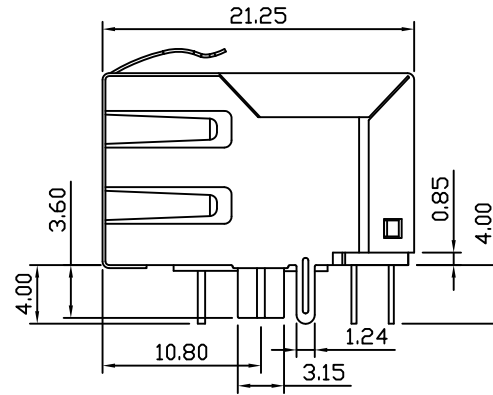
| | | | | |
|--------|---------------|------------|---|----------------------|
| X:X | ± 0.30 | APPD: | LINK-PP INT'L TECHNOLOGY CO., LIMITED | |
| X:XX | ± 0.25 | CHKD: | | |
| X:XXX | ± 0.05 | DR: | TITLE: RJ45 Connector with 10/100 Base-T Integrated Magnetics | |
| ANGLES | $\pm 1^\circ$ | UNIT: mm | PART NO. : LPJ0232GDNL | |
| | SCALE: 2/1 | SHEET: 1/2 | REV: A | DWG NO. : LP15031001 |

Mechanical:

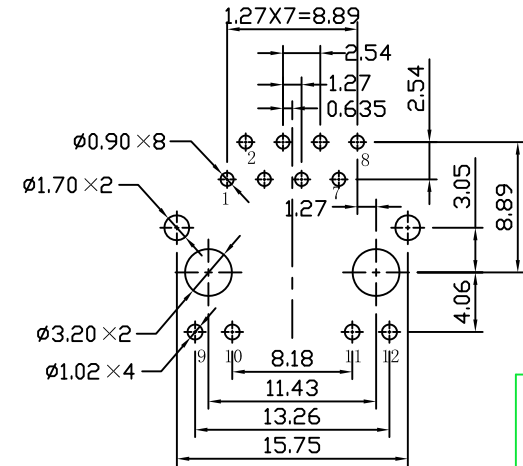
| REV. | ECN NO. | DESCRIPTION | DATE | APPD |
|------|---------|-------------|------------|------|
| A | REL | | 2015-03-10 | |



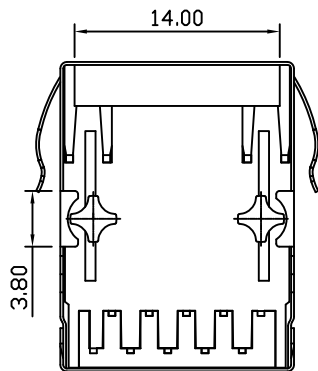
Front Side View



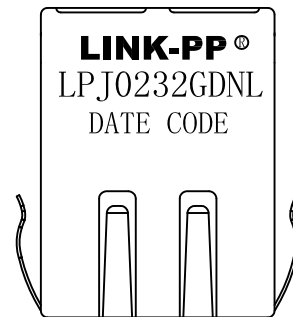
Left Side View



Suggested PCB Layout (Top View)



Bottom Side View



Top Side View

NOTES:

1. Designed to support application, such as SOHO (ADSL modems), LAN-on-Motherboard (LOM), hub and Switches.
2. Connector Materials:
 Housing: Thermoplastic PBT+30%G.F UL94V-0
 Contact: Phosphor Bronze C5210R-EH Thickness=0.35mm
 Pins: Brass C2680R-H Thickness=0.35mm
 Shield: SUS 201-1/2H Thickness=0.2mm
 Contact plating: Gold 6 micro-inches min. In contact area.
3. Wave solder tip temperature: 265°C Max, 5 Sec Max.

| | | | | |
|--------|------------|------------|---|--|
| X:X | ±0.30 | APPD: | LINK-PP INT'L TECHNOLOGY CO., LIMITED | |
| X:XX | ±0.25 | CHKD: | TITLE: RJ45 Connector with 10/100 Base-T Integrated Magnetics | |
| X:XXX | ±0.05 | DR: TOM | PART NO.: LPJ0232GDNL | |
| ANGLES | ±1° | UNIT: mm | DWG NO.: LP15031001 | |
| | SCALE: 2/1 | SHEET: 2/2 | REV: A | |