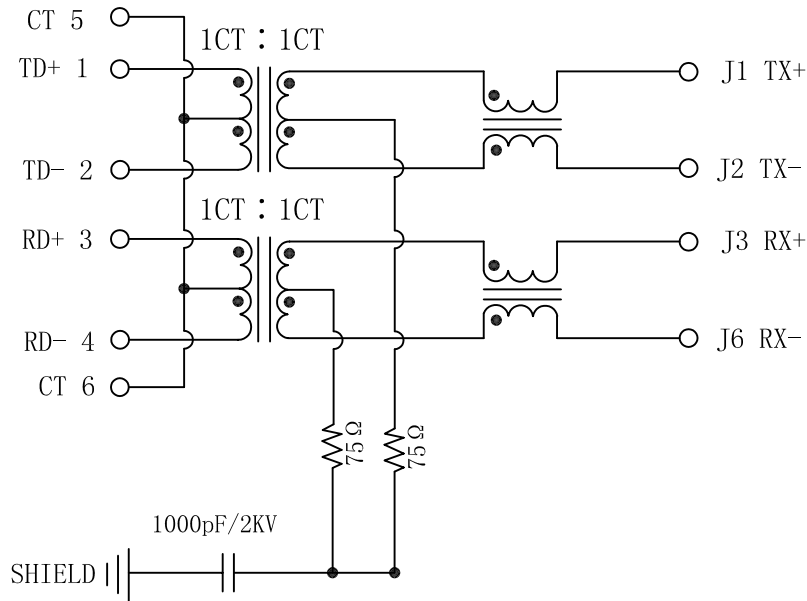


Schematic:

REV.	ECN NO.	DESCRIPTION	DATE	APPD
A	REL			

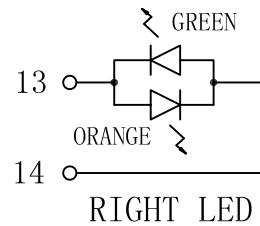
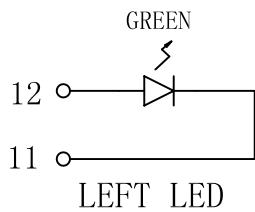
PCB CONNECTIONS



RJ45 CONNECTOR

Electrical Specifications @ 25°C

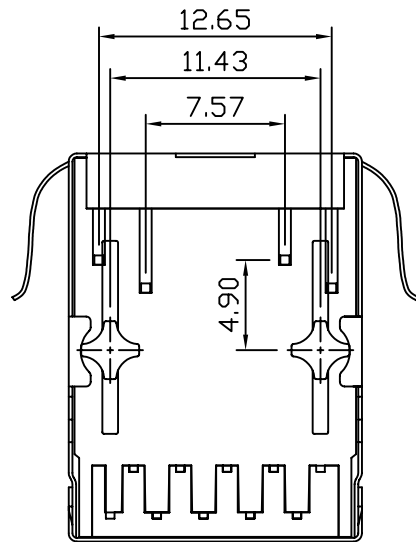
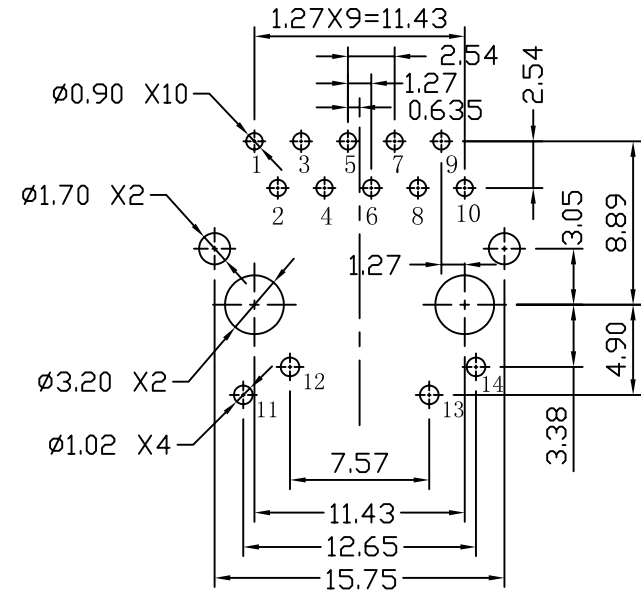
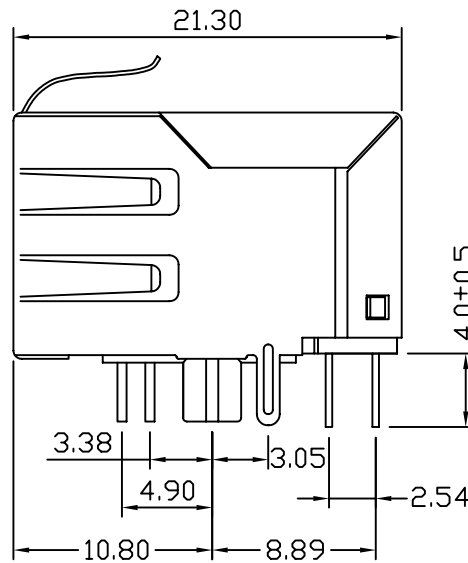
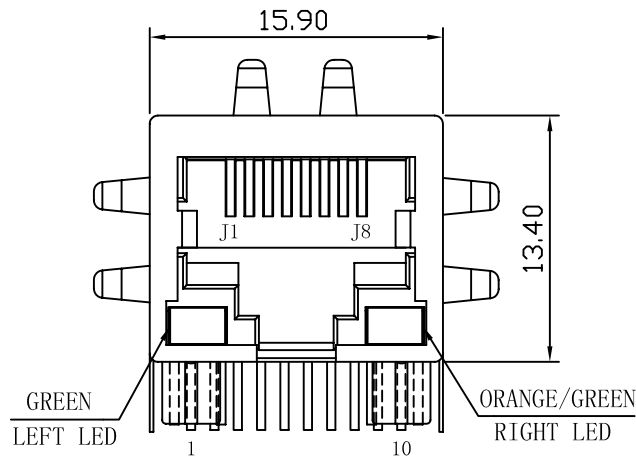
- Turns Ratio($\pm 3\%$): 1CT:1CT
- INDUCTANCE(@100KHz, 100mV, 8mA DC BIAS):
J1-J2;J3-J6;: 350uH Min
- Insertion Loss:
1~100MHz:-1.0dB Max
- Return Loss(dB Min.):
1~30MHz:-16 30~60MHz:-14
60~80MHz:-10
- Crosstalk(dB Min.):
1~30MHz:-40 30~60MHz:-35
60~80MHz:-30
- Common Mode Rejection(dB Min):
1~100MHz:-35
- Isolation Voltage: 1500Vrms
- Operating Temperature Range: 0°C~70°C.



X:X	± 0.30	APPD:	LINK-PP INT'L TECHNOLOGY CO., LIMITED
X:XX	± 0.20	CHKD:	
X:XXX	± 0.05	DR: TOM	TITLE: RJ45 Connector with 10/100 Base-T Integrated Magnetics
ANGLES	$\pm 1^\circ$	UNIT: mm	PART NO.: LPJ0221AKNL
	SCALE: 2/1	SHEET: 1/2	REV: A DWG NO.: LP13070901

Mechanical:

REV.	ECN NO.	DESCRIPTION	DATE	APPD
A	REL		2013/07/09	



NOTES:

1. Designed to support application, such as SOHO (ADSL modems), LAN-on-Motherboard (LOM), hub and Switches.
2. Meets IEEE 802.3 specification
3. Connector Materials:
 Housing: Thermoplastic UL94V-0
 Contact/Shield: Copper alloy
 Shield plating: Nickel
 Contact plating: Gold 6 micro-inches min. In contact area.
4. Wave solder tip temperature: 265°C Max
 Wave solder tip temperature time: 5 Sec Max

X:X	±0.30	APPD:	LINK-PP INT'L TECHNOLOGY CO., LIMITED	
X:XX	±0.20	CHKD:	TITLE: RJ45 Connector with 10/100 Base-T Integrated Magnetics	
X:XXX	±0.05	DR: TOM	PART NO.: LPJ0221AKNL	
ANGLES	±1°	UNIT: mm	DWG NO.: LP13070901	
	SCALE: 2/1	SHEET: 2/2	REV: A	