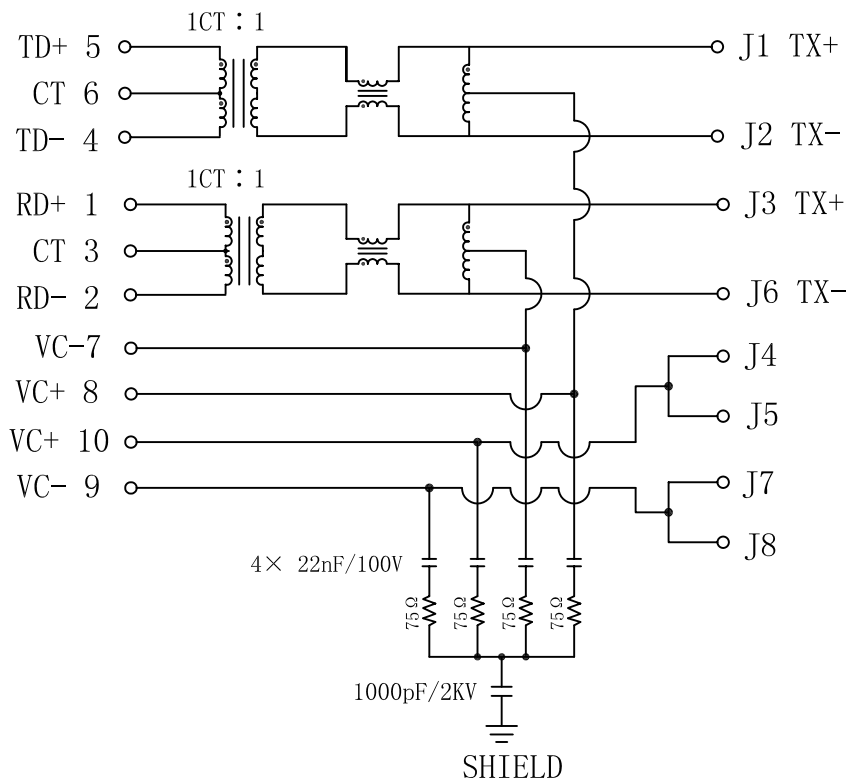


Schematic:

REV.	ECN NO.	DESCRIPTION	DATE	APPD
A	REL		2011/11/03	

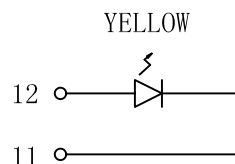
PC BOARD CONNECTIONS



RJ45 CONNECTOR

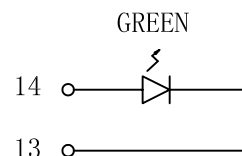
ELECTRICAL SPECIFICATIONS @25°C

- Turn Ratio($\pm 2\%$):
TX=1CT:1 RX=1CT:1
- Inductance OCL: 350uH MIN
@ 100KHz, 0.1V, 8mA DC Bias
- Insertion Loss:
-1.0dB MAX @ 0.3-100MHz
- Return Loss:
-20dB MIN @ 1-30MHz
-15dB MIN @ 30-60MHz
-10dB MIN @ 60-80MHz
- Cross talk:
-30dB MIN @ 1-100MHz
- Common to Common Mode Rejection:
-30dB MIN @ 1-100MHz
- Hipot Test: 1500Vrms MIN
- Operating Temperature: 0°C TO 70°C.



LEFT LED

LED POLARITY		COLOR
PIN 12	PIN 11	
+	-	YELLOW



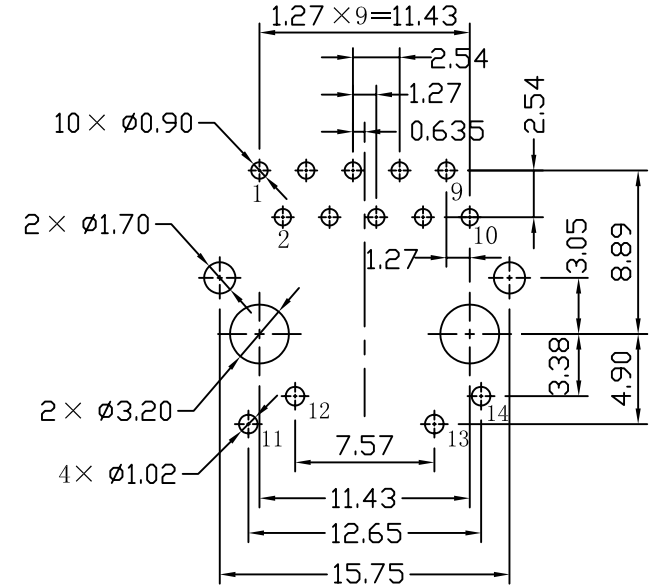
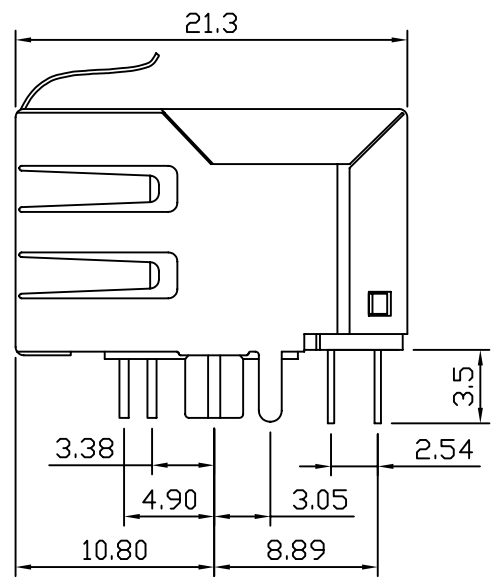
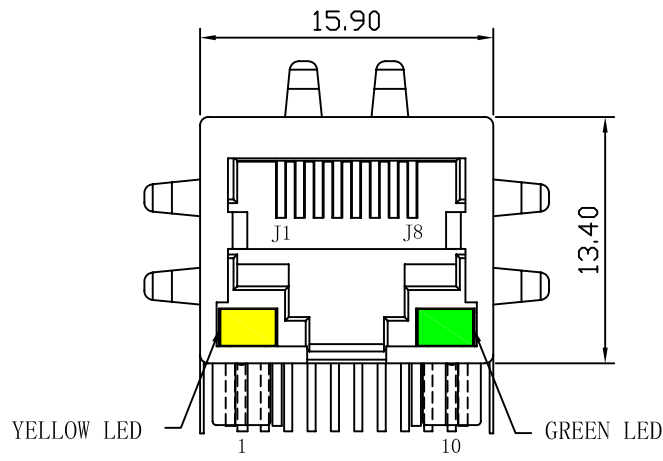
RIGHT LED

LED POLARITY		COLOR
PIN 14	PIN 13	
+	-	GREEN

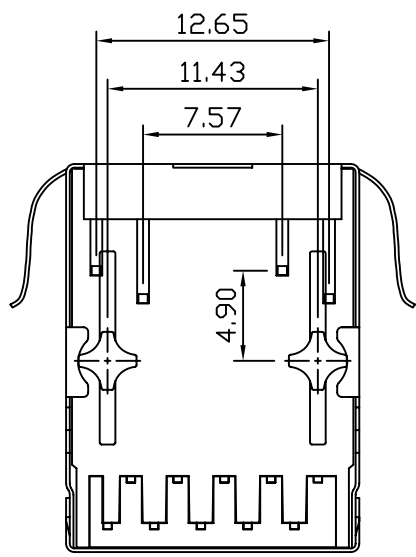
X:X ±0.25	APPD:	LINK-PP INT'L TECHNOLOGY CO., LIMITED
X:XX ±0.20	CHKD:	
X:XXX ±0.05	DR: TOM	TITLE: RJ45 Connector with 10/100 Base-T Integrated Magnetics & PoE
ANGLES ±1°	UNIT: mm	PART NO.: LPJ0196AGNL
	SCALE: 2/1	SHEET: 1/2
	REV: A	DWG NO.: LP11110308

Mechanical:

REV.	ECN NO.	DESCRIPTION	DATE	APPD
A	REL		2011/11/03	



SUGGESTED PCB LAYOUT (TOP VIEW)



NOTES:

1. Designed to support application, such as SOHO (ADSL modems), LAN-on-Motherboard (LOM), hub and Switches.
2. Meets IEEE 802.3 specification
3. Connector Materials:
 Housing: Thermoplastic UL94V-0
 Contact/Shield: Copper alloy
 Shield plating: Nickel
 Contact plating: Gold 6 micro-inches min. In contact area.
4. Wave solder tip temperature: 265°C Max
 Wave solder tip temperature time: 5 Sec Max

X:X ±0.25	APPD:	LINK-PP INT'L TECHNOLOGY CO., LIMITED
X:XX ±0.20	CHKD:	
X:XXX ±0.05	DR: TOM	
ANGLES ±1°	UNIT: mm	TITLE: RJ45 Connector with 10/100 Base-T Integrated Magnetics & PoE
		PART NO.: LPJ0196AGNL
	SCALE: 2/1	SHEET: 2/2
	REV: A	DWG NO.: LP11110308