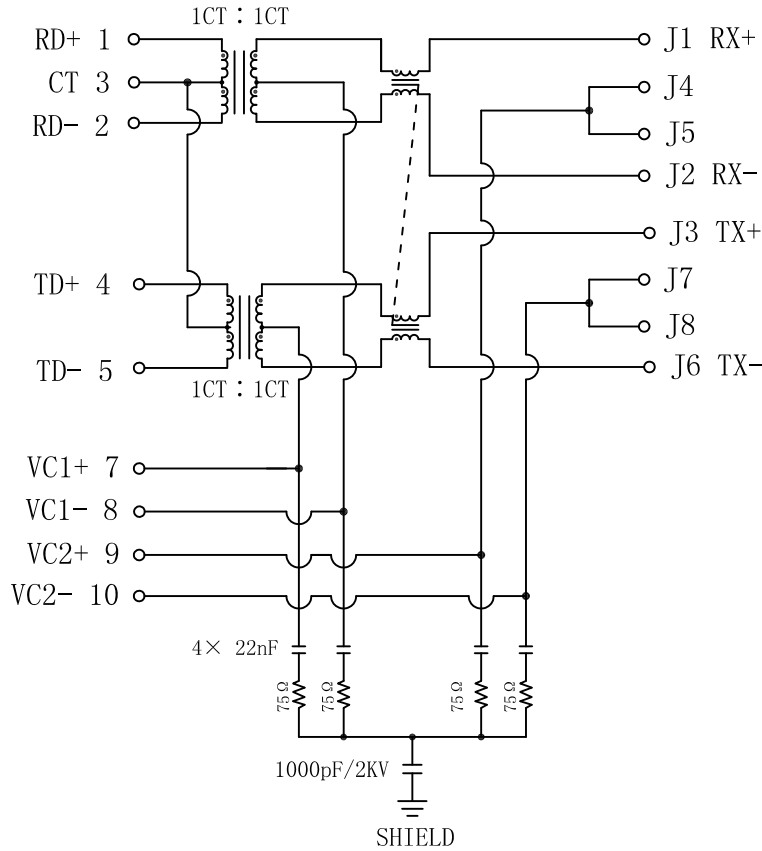


Schematic:

REV.	ECN NO.	DESCRIPTION	DATE	APPD
A	REL		2015-03-14	

PC BOARD CONNECTIONS



RJ45 CONNECTOR

ELECTRICAL SPECIFICATIONS @25°C

- Turn Ratio(100KHz, 0.1V):  
 PINS: (1-2) : (J1-J2)=1CT : 1CT ±3%  
 PINS: (4-5) : (J3-J6)=1CT : 1CT ±3%
- OCL(@100KHz, 100mV, 8mA DC Bias):  
 PINS: (1-2), (4-5)=350uH MIN
- Insertion Loss:  
 -1.0dB MAX @1~100MHz
- Return Loss:  
 -18dB MIN @1~30MHz  
 -16dB MIN @30~45MHz  
 -14dB MIN @45~60MHz  
 -12dB MIN @60~80MHz
- Cross talk:  
 -30dB MIN @1~100MHz
- Common Mode Rejection:  
 -30dB MIN @1~100MHz
- Hipot Test: 1500Vrms
- Operating Temperature: 0°C TO 70°C.



X:X ±0.30	APPD:	LINK-PP INT'L TECHNOLOGY CO., LIMITED		
X:XX ±0.25	CHKD:	TITLE: RJ45 Connector with 10/100 Base-T Integrated Magnetics For PoE Application		
X:XXX ±0.05	DR: TOM	PART NO.: LPJ0188CNL		
ANGLES ±1°	UNIT: mm			
	SCALE: 2/1	SHEET: 1/2	REV: A	DWG NO.: LP15031410

