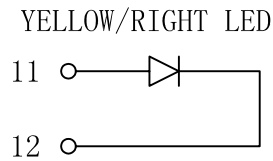
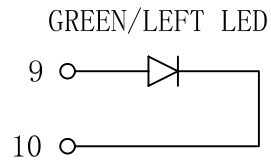
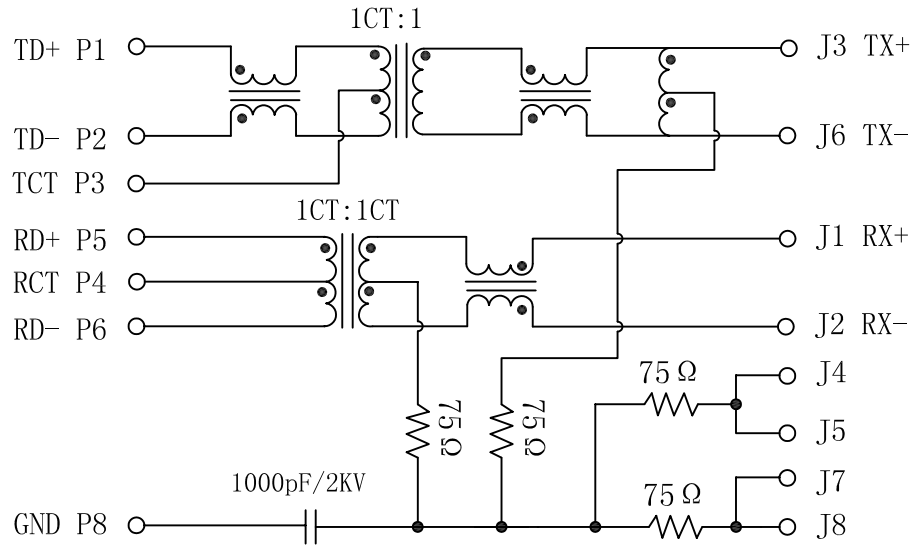


Schematic:

REV.	ECN NO.	DESCRIPTION	DATE	APPD
A	REL		2010/12/15	



ELECTRICAL SPECIFICATIONS @25°C

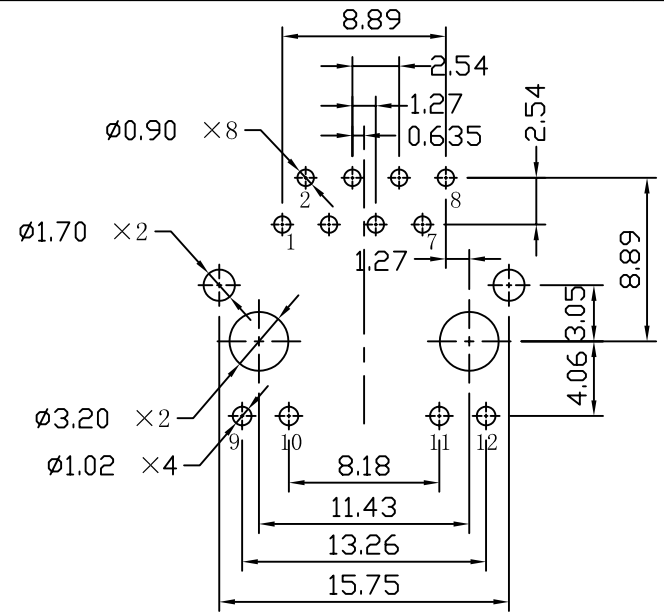
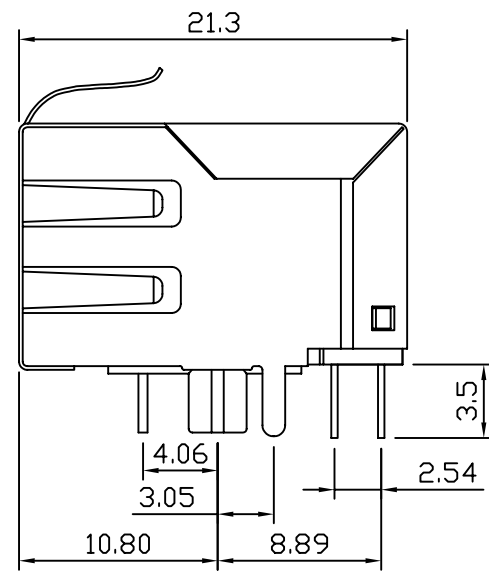
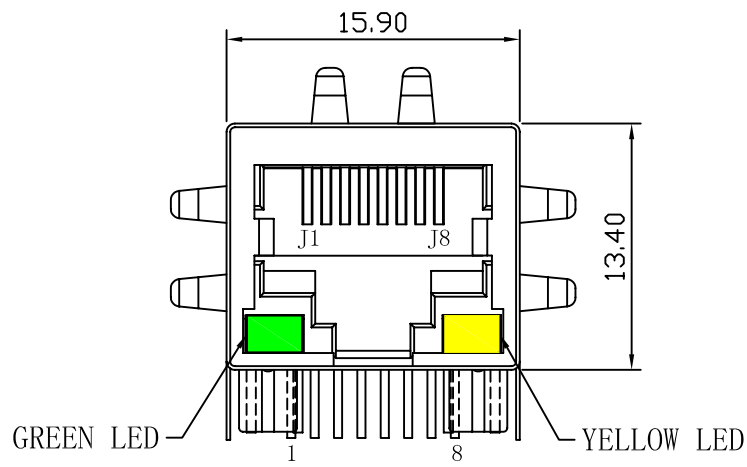
- Turn Ratio():  
TX=1CT:1 ±3%      RX=1CT:1CT ±3%
- Inductance OCL: 350uH MIN  
@100KHz, 100mV, 8mA, DC Bias
- Insertion Loss:  
-1.0dB MAX @ 0.3-100MHz
- Return Loss:  
-20dB MIN @ 1-30MHz  
-15dB MIN @ 30-60MHz  
-10dB MIN @ 60-80MHz
- Cross talk:  
-30dB MIN @ 1-100MHz
- Common To Common Mode Rejection:  
-30dB MIN @ 1-100MHz
- Hipot Test: 1500Vrms MIN
- Operating Temperature: 0°C TO 70°C



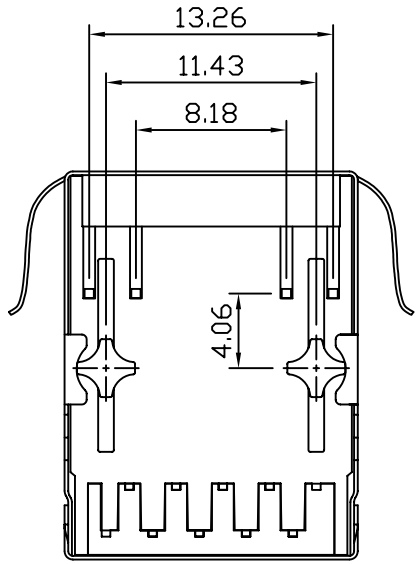
X:X ±0.30	APPD:	LINK-PP INT'L TECHNOLOGY CO., LIMITED		
X:XX ±0.20	CHKD:	TITLE: RJ45 Connector with 10/100 Base-T Integrated Magnetics		
X:XXX ±0.05	DR: TOM	PART NO.: LPJ0176GENL		
ANGLES ±1°	UNIT: mm			
	SCALE: 2/1	SHEET: 1/2	REV: A	DWG NO.: LP10121501

Mechanical:

REV.	ECN NO.	DESCRIPTION	DATE	APPD
A	REL		2010/12/15	



SUGGESTED PCB LAYOUT (TOP VIEW)



NOTES:

1. Designed to support application, such as SOHO (ADSL modems), LAN-on-Motherboard (LOM), hub and Switches.
2. Meets IEEE 802.3 specification
3. Connector Materials:  
 Housing: Thermoplastic UL94V-0  
 Contact/Shield: Copper alloy  
 Shield plating: Nickel  
 Contact plating: Gold 6 micro-inches min. In contact area.
4. Wave solder tip temperature: 265°C Max  
 Wave solder tip temperature time: 5 Sec Max



X:X ±0.30	APPD:	LINK-PP INT'L TECHNOLOGY CO., LIMITED
X:XX ±0.20	CHKD:	
X:XXX ±0.05	DR: TOM	TITLE: RJ45 Connector with 10/100 Base-T Integrated Magnetics
ANGLES ±1°	UNIT: mm	PART NO.: LPJ0176GENL
	SCALE: 2/1	SHEET: 2/2
	REV: A	DWG NO.: LP10121501