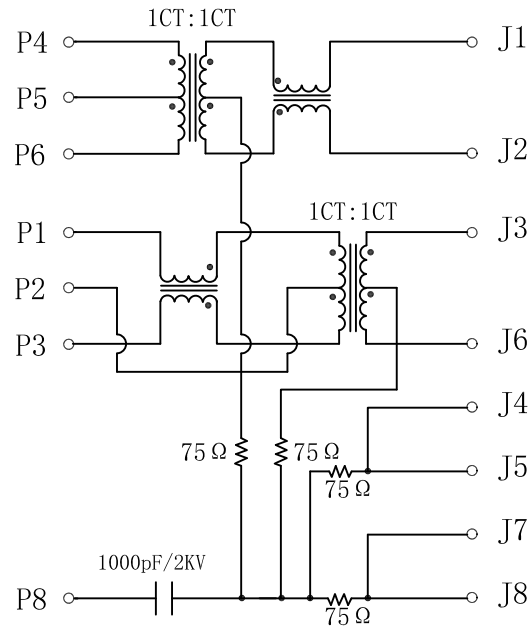


Schematic:

REV.	ECN NO.	DESCRIPTION	DATE	APPD
A	REL		2015-01-22	

PC BOARD CONNECTIONS



RJ45 CONNECTOR

ELECTRICAL SPECIFICATIONS: @25°C

- Turn Ratio(±3%):
TX=1CT : 1CT RX=1CT : 1CT
- Inductance OCL:
350uH MIN@100KHz/0.1V, 8mA DC Bias
- Insertion Loss:
-1.1dB MAX @ 0.1-80MHz
- Return Loss:
-18dB MIN @ 1-30MHz
-12dB MIN @ 30-80MHz
- Cross talk:
-40dB TYP @ 1-100MHz
- Common to common mode attenuation:
-35dB TYP @ 30-100MHz
- Hipot: 1500VAC
- Operating Temperature: 0°C to 70°C.



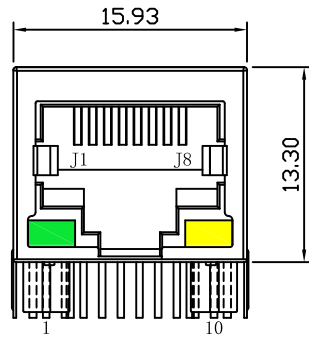
Emitting Color	λ p(nm)	VF@IF=20mA	IR @VR=5V
GREEN	565	1.8-2.6V	10 μ A max
YELLOW	585	1.8-2.6V	10 μ A max



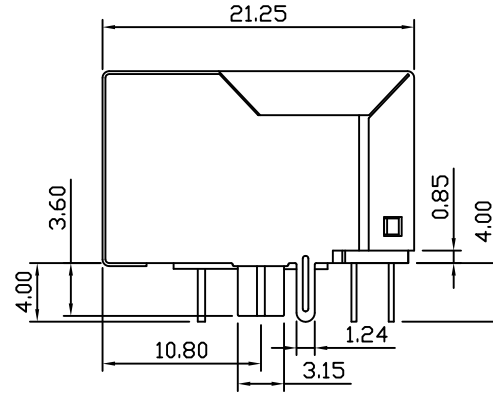
X:X ±0.30	APPD:	LINK-PP INT'L TECHNOLOGY CO., LIMITED
X:XX ±0.25	CHKD:	
X:XXX ±0.05	DR: TOM	TITLE: RJ45 Connector with 10/100 Base-T Integrated Magnetics
ANGLES ±1°	UNIT: mm	PART NO.: LPJ0148HENL
	SCALE: 2/1	SHEET: 1/2
	REV: A	DWG NO.: LP10032027

Mechanical:

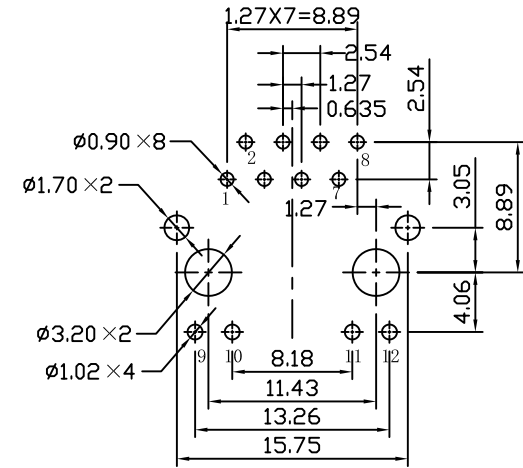
REV.	ECN NO.	DESCRIPTION	DATE	APPD
A	REL		2015-01-22	



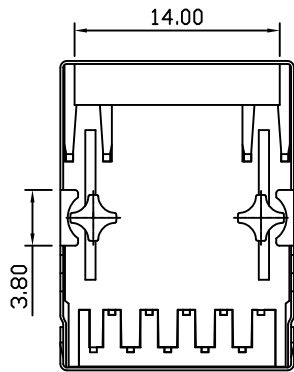
Front Side View



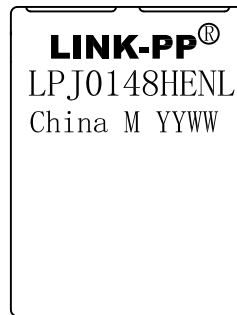
Left Side View



Suggested PCB Layout(Top View)



Bottom Side View



Top Side View

NOTES:

1. Designed to support application, such as SOHO (ADSL modems), LAN-on-Motherboard (LOM), hub and Switches.
2. Meets IEEE802.3 specification.
3. Connector Materials:
 Housing: Thermoplastic PBT+30%G.F UL94V-0
 Contact: Phosphor Bronze C5210R-EH Thickness=0.35mm
 Pins: Brass C2680R-H Thickness=0.35mm
 Shield: SUS 201-1/2H Thickness=0.2mm
 Contact plating: Gold 6 micro-inches min. In contact area.
4. Wave solder tip temperature: 265°C Max, 5 Sec.
5. UL Certification: File Number E484635.

X:X ±0.30	APPD:	LINK-PP INT'L TECHNOLOGY CO., LIMITED
X:XX ±0.25	CHKD:	
X:XXX ±0.05	DR: TOM	TITLE: RJ45 Connector with 10/100 Base-T Integrated Magnetics
ANGLES ±1°	UNIT: mm	PART NO.: LPJ0148HENL
	SCALE: 2/1	SHEET: 2/2
	REV: A	DWG NO.: LP10032027