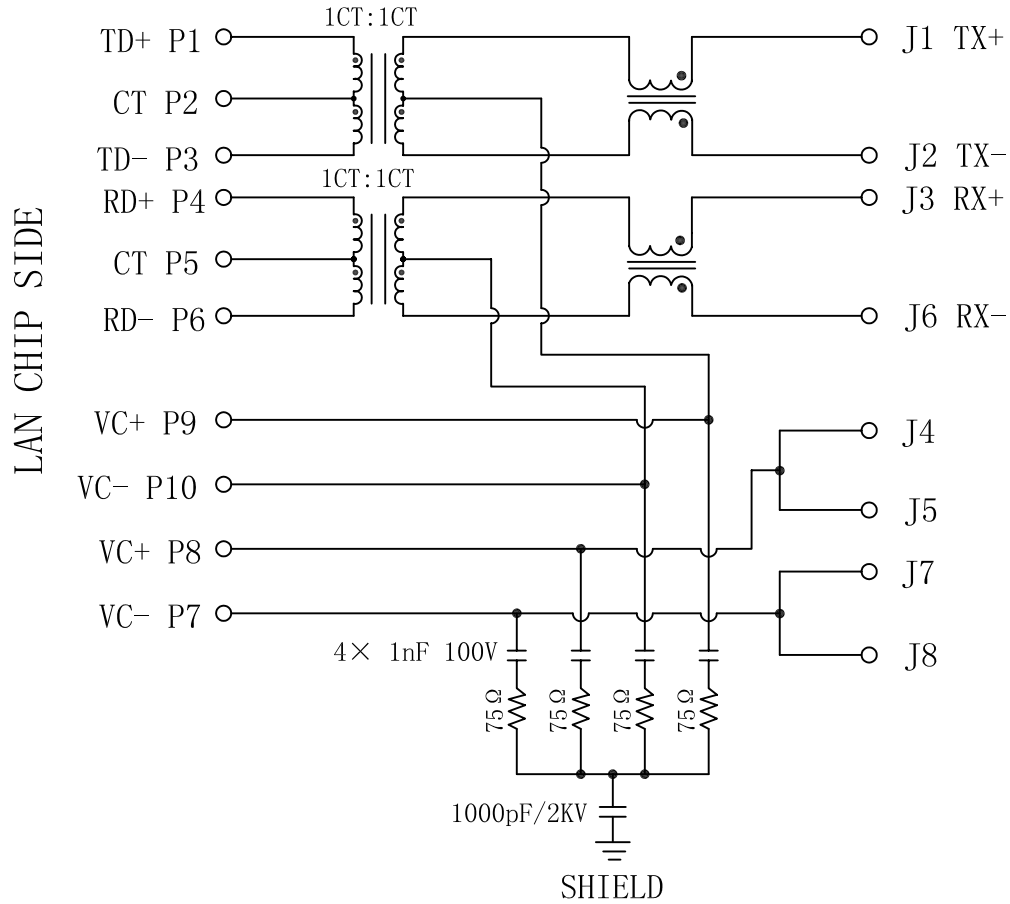


Schematic:

REV.	ECN NO.	DESCRIPTION	DATE	APPD
A	REL		24/11/2009	



ELECTRICAL SPECIFICATIONS @25°C

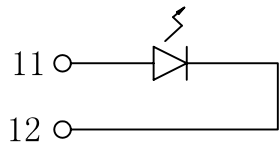
- Turn Ratio($\pm 3\%$):
TX=1CT:1CT RX=1CT:1CT
- Inductance OCL:
350uH MIN @100KHz, 0.1V, 8mA DC Bias
- Insertion Loss:
-1.0dB MAX @ 0.3-100MHz
- Return Loss:
-20dB MIN @ 1-30MHz
-15dB MIN @ 30-60MHz
-10dB MIN @ 60-80MHz
- Cross talk:
-30dB MIN @ 1-100MHz
- Common To Common Mode Rejection:
-30dB MIN @ 1-100MHz
- Hipot Test: 1500Vrms
- Operating Temperature Range: 0°C TO 70°C

RJ CABLE SIDE

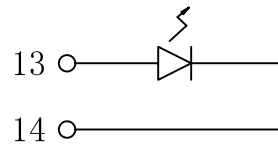
LAN CHIP SIDE



YELLOW/LEFT LED



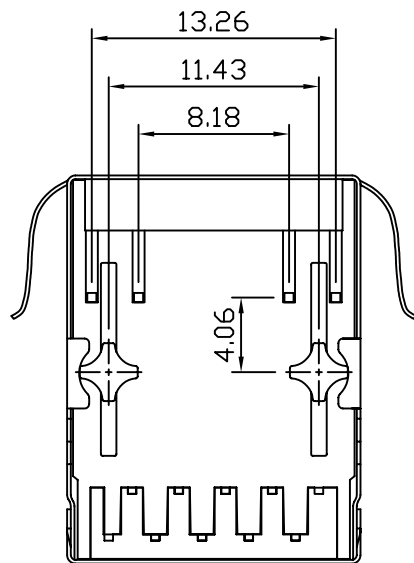
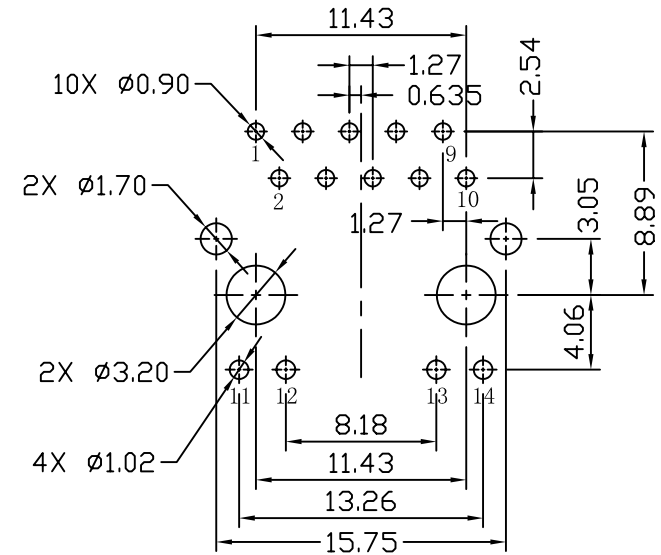
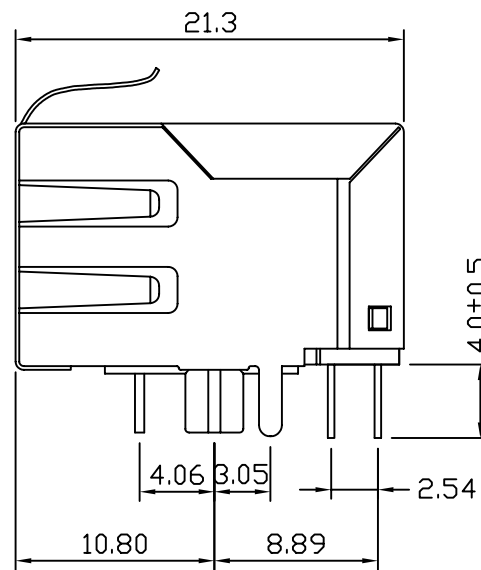
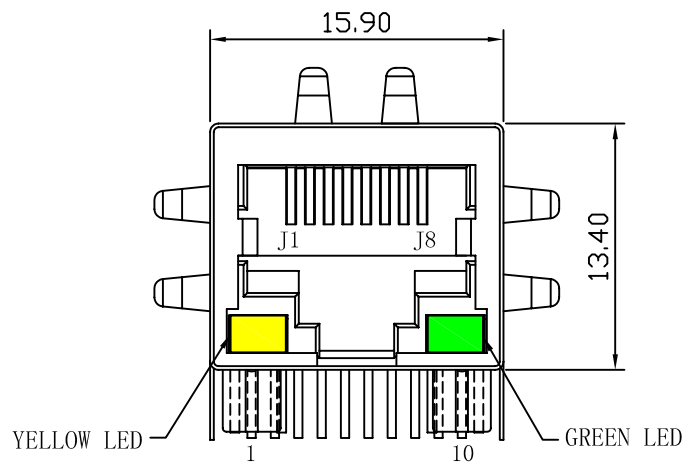
GREEN/RIGHT LED



X:X ±0.30	APPD:	LINK-PP INT'L TECHNOLOGY CO., LIMITED		
X:XX ±0.20	CHKD:	TITLE: RJ45 Connector 10/100 Base-T With Integrated Magnetics & PoE		
X:XXX ±0.05	DR: TOM	PART NO. : LPJ0135GDNL		
ANGLES $\pm 1^\circ$	UNIT: mm			
	SCALE: 2/1	SHEET: 1/2	REV: A	DWG NO. : LP09112401

Mechanical:

REV.	ECN NO.	DESCRIPTION	DATE	APPD
A	REL		24/11/2009	



NOTES:

1. Designed to support application, such as SOHO (ADSL modems), LAN-on-Motherboard (LOM), hub and Switches.
2. Meets IEEE 802.3 specification
3. Connector Materials:
Housing: Thermoplastic UL94V-0
Contact/Shield: Copper alloy
Shield plating: Nickel
Contact plating: Gold 6 micro-inches min. In contact area.
4. Wave solder tip temperature: 265°C Max
Wave solder tip temperature time: 5 Sec Max



X:X ±0.30	APPD:	LINK-PP INT'L TECHNOLOGY CO., LIMITED
X:XX ±0.20	CHKD:	
X:XXX ±0.05	DR: TOM	TITLE: RJ45 Connector 10/100 Base-T With Integrated Magnetics & PoE
ANGLES ±1°	UNIT: mm	PART NO.: LPJ0135GDNL
	SCALE: 2/1	SHEET: 2/2
	REV: A	DWG NO.: LP09112401