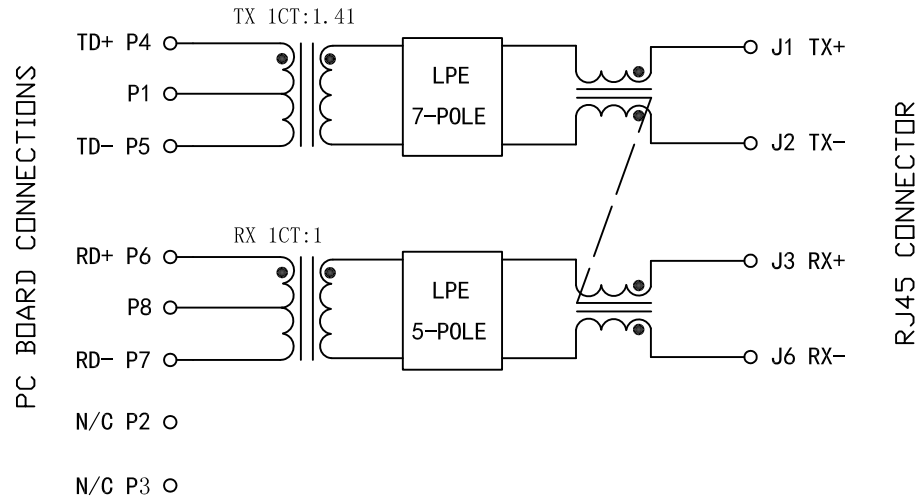


Schematic:

REV.	ECN NO.	DESCRIPTION	DATE	APPD
A	REL		2010-03-20	



Electrical Specifications @25°C

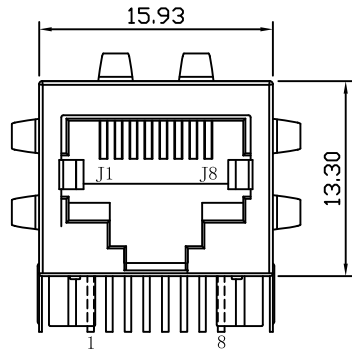
- Turns Ratio:
TX=1CT:1.41 RX=1CT:1
- Return Loss:
5-10MHz:-15dB MIN
- Crosstalk:
1-10MHz:-30dB MIN
- Insertion Loss:
5-10MHz:-1dB MAX
- Attenuation: @30MHz
TX:-30dB MIN
RX:-18dB MIN
- Impedance:
TX: 50Ω RX:100Ω
- Isolation Voltage: 1500Vrms
- Operating Temp: 0~70°C.



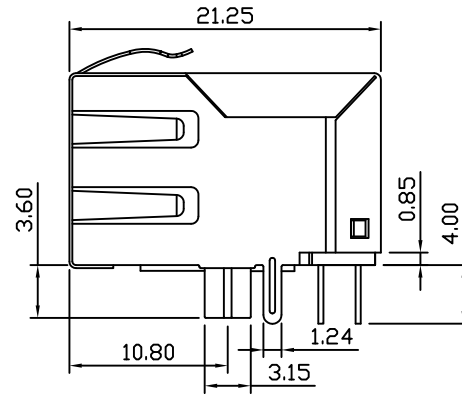
X:X	±0.30	APPD:	LINK-PP INT'L TECHNOLOGY CO., LIMITED	
X:XX	±0.25	CHKD:		
X:XXX	±0.05	DR: TOM	TITLE: RJ45 Connector with 10 Base-T Integrated Magnetics	
ANGLES	±1°	UNIT: mm	PART NO.: LPJ0125CNL	
	SCALE: 2/1	SHEET: 1/2	REV: A	DWG NO.: LP10032029

Mechanical:

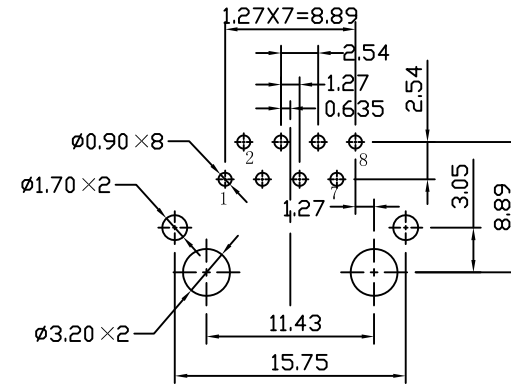
REV.	ECN NO.	DESCRIPTION	DATE	APPD
A	REL		2010-03-20	



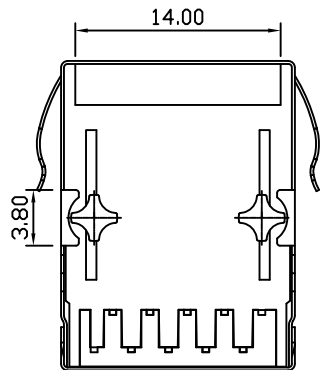
Front Side View



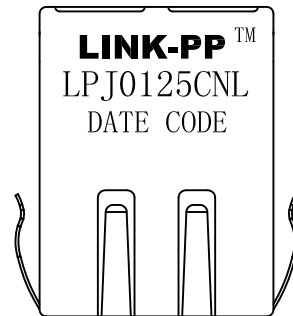
Left Side View



Suggested PCB Layout (Top View)



Bottom Side View



Top Side View

NOTES:

1. Designed to support application, such as SOHO (ADSL modems), LAN-on-Motherboard (LOM), hub and Switches.
2. Connector Materials:
 Housing: Thermoplastic PBT+30%G.F UL94V-0
 Contact: Phosphor Bronze C5210R-EH Thickness=0.35mm
 Pins: Brass C2680R-H Thickness=0.35mm
 Shield: SUS 201-1/2H Thickness=0.2mm
 Contact plating: Gold 6 micro-inches min. In contact area.
3. Wave solder tip temperature: 265°C Max, 5 Sec Max.

X:X	±0.30	APPD:	LINK-PP INT'L TECHNOLOGY CO., LIMITED	
X:XX	±0.25	CHKD:	TITLE: RJ45 Connector with 10 Base-T Integrated Magnetics	
X:XXX	±0.05	DR: TOM	PART NO.: LPJ0125CNL	
ANGLES	±1°	UNIT: mm		
	SCALE: 2/1	SHEET: 2/2	REV: A	DWG NO.: LP10032029