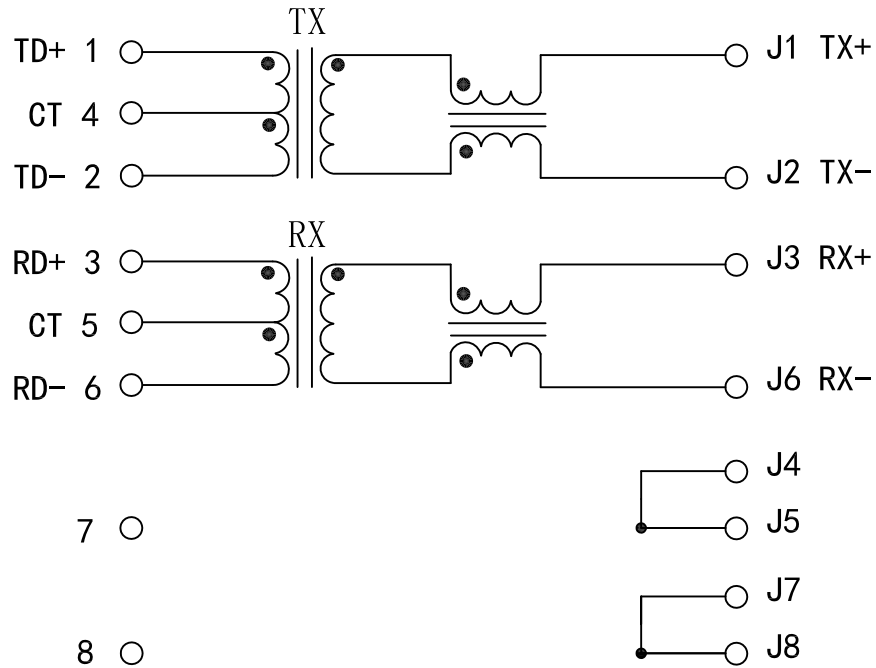


Schematic:

REV.	ECN NO.	DESCRIPTION	DATE	APPD
A	REL		16/05/2009	

PCB SIDE TO PHY



CABLE SIDE

Electrical Specifications @25°C

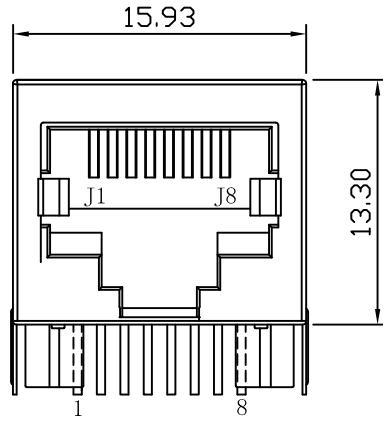
- Turns Ratio:
TX=1CT:1 RX=1CT:1
- Inductance:
350uH Min @100KHz, 0.1V, 8mA
- Insertion Loss:
1-65MHz:-1.0dB Max
- Return Loss (dB Min @100Ω±15Ω):
1-10MHz:-18 10-30MHz:-14
30-60MHz:-12 60-80MHz:-10
- Crosstalk (dB Min):
1-30MHz:-35 30-60MHz:-35
60-100MHz:-30
- CMR: (dB Min):
1-50MHz:-20 50-150MHz:-15
- Hipot: 1500Vrms @60Hz 1 MIN
- Operating Temperature: 0°C~70°C.



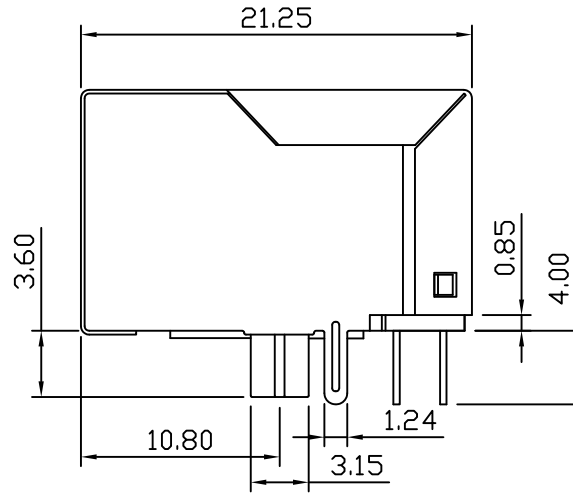
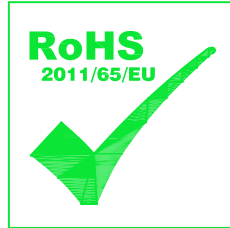
X:X ±0.30	APPD:	LINK-PP INT'L TECHNOLOGY CO., LIMITED
X:XX ±0.25	CHKD:	
X:XXX ±0.05	DR: TOM	TITLE: RJ45 Connector with 10/100 Base-T Integrated Magnetics
ANGLES ±1°	UNIT: mm	PART NO.: LPJ0113DNL
	SCALE: 2/1	SHEET: 1/2
	REV: A	DWG NO.: LP09051619

Mechanical:

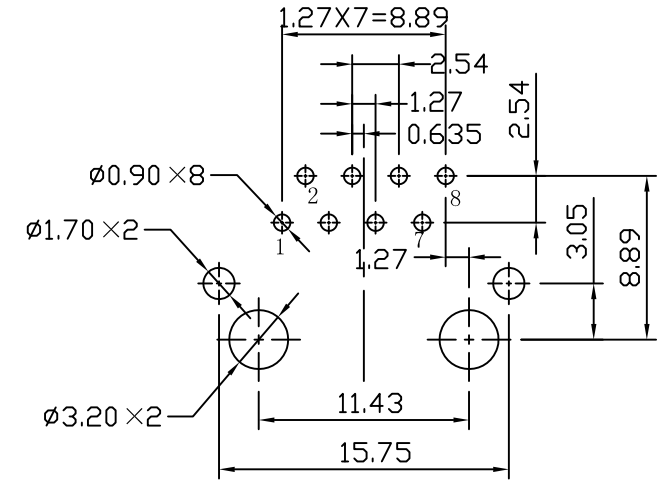
REV.	ECN NO.	DESCRIPTION	DATE	APPD
A	REL		16/05/2009	



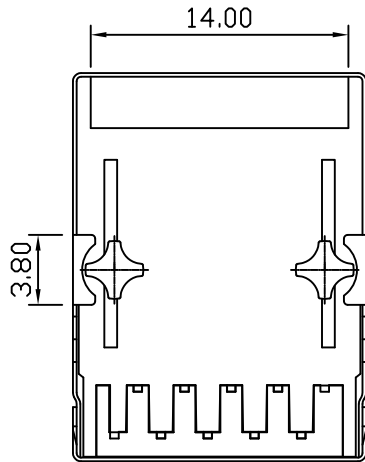
Front Side View



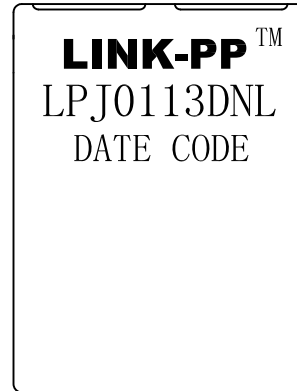
Left Side View



Suggested PCB Layout (Top View)



Bottom Side View



Top Side View

NOTES:

1. Designed to support application, such as SOHO (ADSL modems), LAN-on-Motherboard (LOM), hub and Switches.
2. Meets IEEE802.3 specification.
3. Connector Materials:
 Housing: Thermoplastic PBT+30%G.F UL94V-0
 Contact: Phosphor Bronze C5210R-EH Thickness=0.35mm
 Pins: Brass C2680R-H Thickness=0.35mm
 Shield: SUS 201-1/2H Thickness=0.2mm
 Contact plating: Gold 6 micro-inches min. In contact area.
4. Wave solder tip temperature: 265°C Max, 5 Sec Max.

X:X	±0.30	APPD:	LINK-PP INT'L TECHNOLOGY CO., LIMITED	
X:XX	±0.25	CHKD:	TITLE: RJ45 Connector with 10/100 Base-T Integrated Magnetics	
X:XXX	±0.05	DR: TOM	PART NO.: LPJ0113DNL	
ANGLES	±1°	UNIT: mm	DWG NO.: LP09051619	
	SCALE: 2/1	SHEET: 2/2	REV: A	