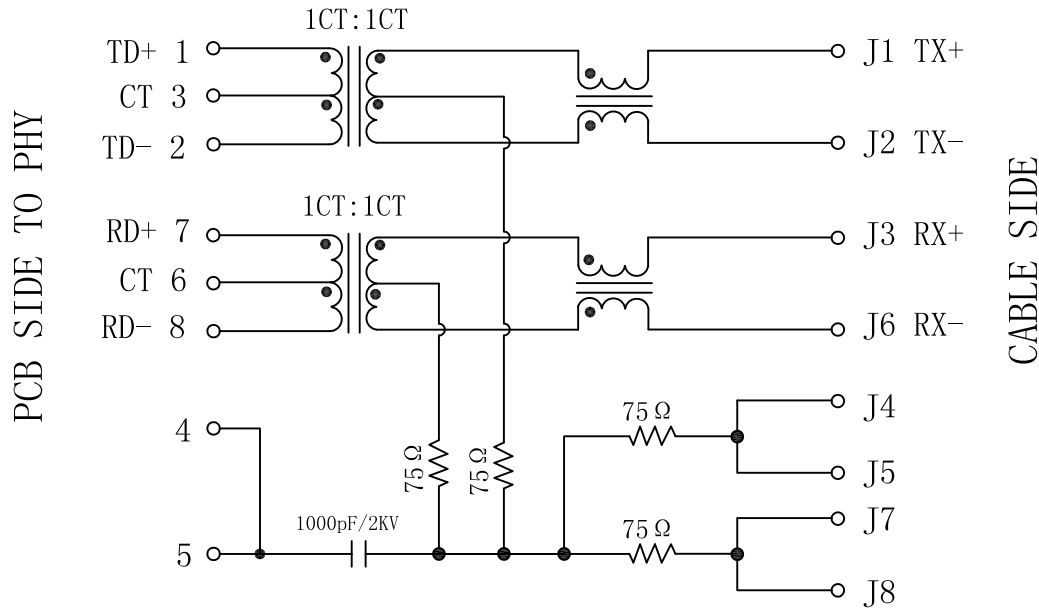


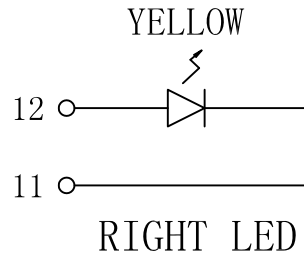
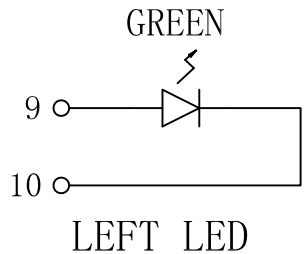
Schematic:

REV.	ECN NO.	DESCRIPTION	DATE	APPD
A	REL		10/01/2009	



ELECTRICAL SPECIFICATIONS @25°C

- Turn Ratio ($\pm 3\%$):
 (P1-P2) : (J1-J2) = 1:1
 (P7-P8) : (J3-J6) = 1:1
- Inductance:
 (P1-P2) : 350uH MIN @100KHz 0.1V, 8mA DC Bias
 (P7-P8) : 350uH MIN @100KHz 0.1V, 8mA DC Bias
- Insertion Loss:
 -1.2dB MAX @ 0.1-80MHz
- Return Loss:
 -18dB MIN @ 1-30MHz
 -12dB MIN @ 30-80MHz
- Cross talk:
 -35dB TYP @ 0.1-100MHz
- Common To Common Mode Attenuation:
 -30dB TYP @ 30-100MHz
- Hipot Test: 1500VAC
- Operating Temperature Range: 0°C TO 70°C



X:X	± 0.30	APPD:	LINK-PP INT'L TECHNOLOGY CO., LIMITED
X:XX	± 0.20	CHKD:	
X:XXX	± 0.05	DR: TOM	TITLE: RJ45 Connector with 10/100 Base-TX Integrated Magnetic
ANGLES	$\pm 1^\circ$	UNIT: mm	PART NO.: LPJ0070BBNL
	SCALE: 2/1	SHEET: 1/2	REV: A
			DWG NO.: LP09011023

