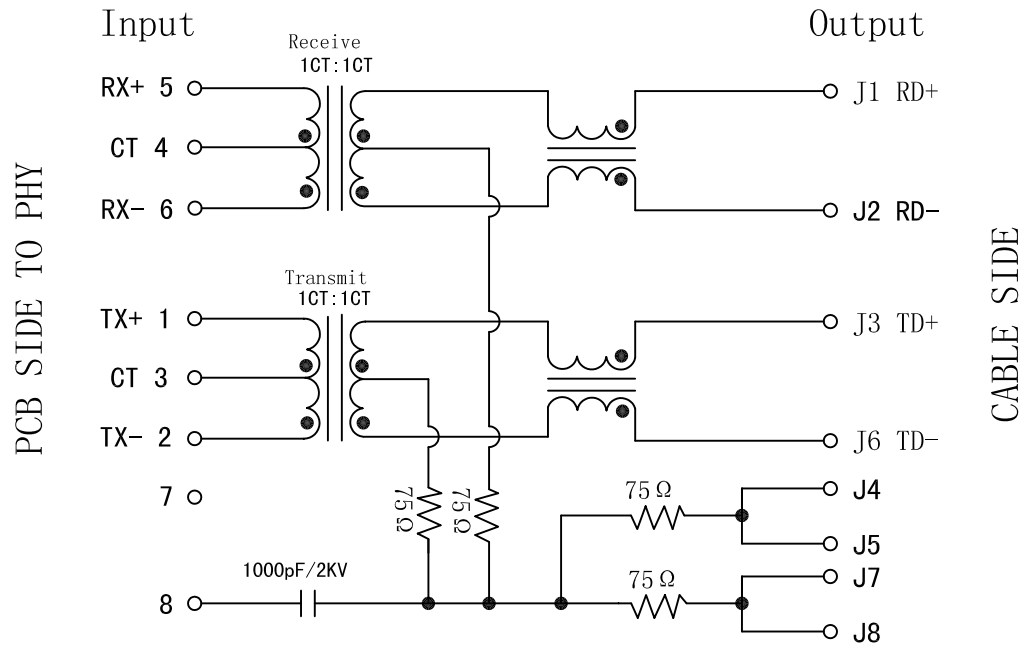


Schematic:

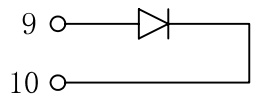
REV.	ECN NO.	DESCRIPTION	DATE	APPD
A	REL		06/11/2009	



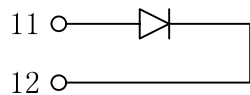
Electrical Specification @25°C

- Turns Ratio:
TX=1CT:1CT RX=1CT:1CT
- Insertion Loss:
1-65MHz:-1.0dB MAX
- Return Loss:
5-10MHz:-20dB MIN
10-30MHz:-16dB MIN
30-60MHz:-12dB MIN
60-80MHz:-10dB MIN
- Crosstalk:
1-30MHz:-40dB MIN
30-60MHz:-35dB MIN
60-100MHz:-30dB MIN
- Common Mode Rejection:
1-50MHz:-30dB MIN
50-150MHz:-20dB MIN
- Hipot: 1500Vrms
- OCL:
350uH Min with 8mA bias current
- Operating Temperature: 0°C~70°C.

GREEN/LEFT LED



YELLOW/RIGHT LED



X:X ±0.25	APPD:	LINK-PP INT'L TECHNOLOGY CO., LIMITED
X:XX ±0.10	CHKD:	
X:XXX ±0.05	DR: TOM	TITLE: RJ45 Connector with 10/100 Base-T Integrated Magnetics
ANGLES ±1°	UNIT: mm	PART NO.: LPJ0064GENL
	SCALE: 2/1	SHEET: 1/2
	REV: A	DWG NO.: LP09110602

