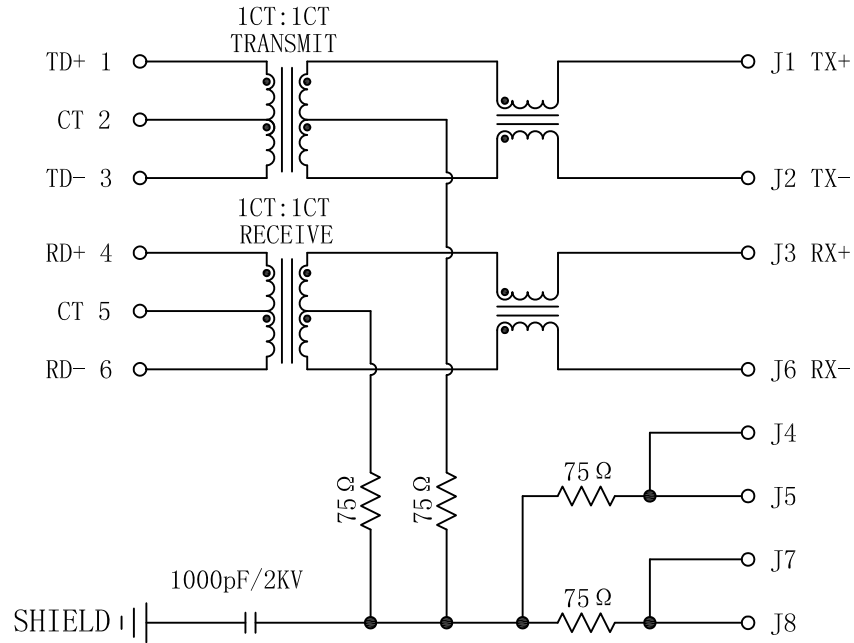


Schematic:

REV.	ECN NO.	DESCRIPTION	DATE	APPD
A	REL		2014-07-21	

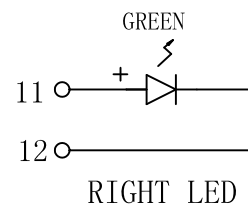
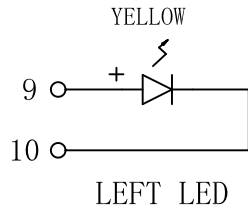
PC BOARD CONNECTIONS



RJ45 CONNECTOR

Electrical Specification @25°C

- Turns Ratio ($\pm 2\%$):
 (1-3): (J1-J2)=1:1
 (4-6): (J3-J6)=1:1
- Inductance: 350uH Min
 @0.1V, 0.1MHz, 8mA DC Bias
- Insertion Loss:
 0.1MHz-100MHz: -1.2dB Max
- Return Loss:
 1MHz-30MHz: -18dB Min
 30MHz-80MHz: -12dB Min
- Cross talk:
 1MHz-100MHz: -40dB Min
- Common Mode Rejection
 30MHz-100MHz: -35dB Min
- Hipot: 1500Vrms Min
- Operating Temperature: 0°C ~ 70°C.

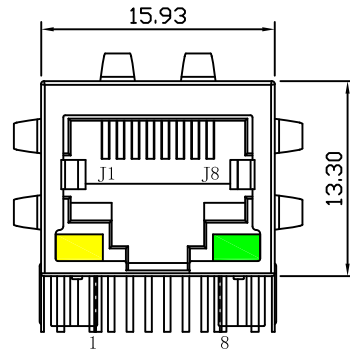


Emitting Color	λ p(nm)	VF@IF=20mA	IR @VR=5V
Green	565	1.8~2.6V	10 μ A max
Yellow	590	1.8~2.6V	10 μ A max

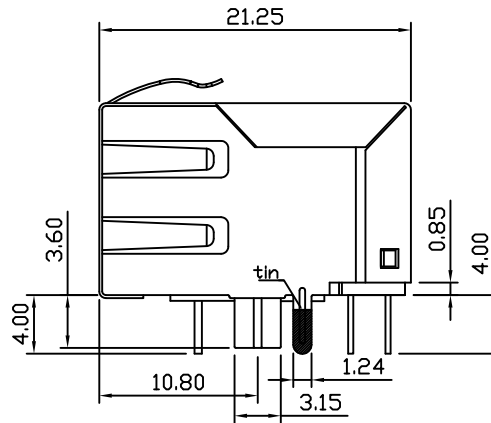
X:X	± 0.30	APPD:	LINK-PP INT'L TECHNOLOGY CO., LIMITED	
X:XX	± 0.25	CHKD:	TITLE: RJ45 Connector with 10/100 Base-T Integrated Magnetics	
X:XXX	± 0.05	DR: TOM	PART NO.: LPJ0034GDNL	
ANGLES	$\pm 1^\circ$	UNIT: mm		
	SCALE: 2/1	SHEET: 1/2	REV: A	DWG NO.: LP14072112

Mechanical:

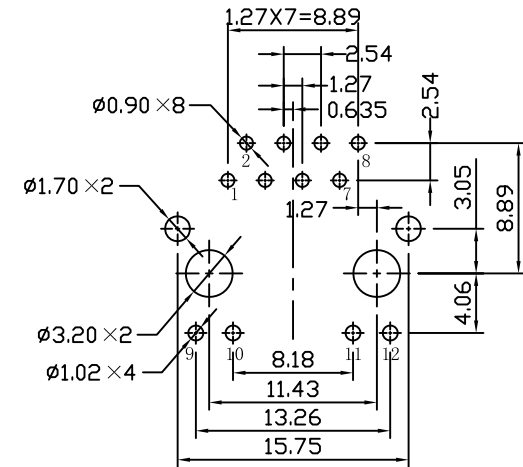
REV.	ECN NO.	DESCRIPTION	DATE	APPD
A	REL		2014-07-21	



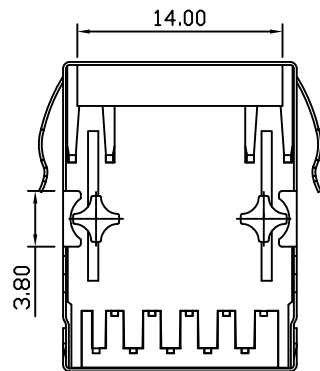
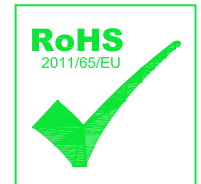
Front Side View



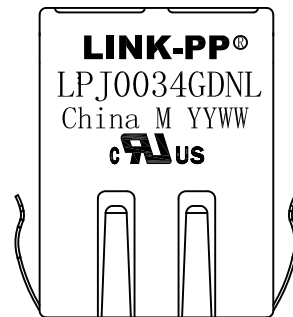
Left Side View



Suggested PCB Layout (Top View)



Bottom Side View



Top Side View

NOTES:

1. Meets IEEE 802.3 specification

2. Connector Materials:

Housing Material: Thermoplastic PBT+30%G.F UL94V-0

Contact Material: Phosphor Bronze C5210R-EH Thickness=0.35mm

Pins: Brass C2680R-H Thickness=0.35mm

Shield: SUS S304-1/2H Thickness=0.2mm

Contact plating: Gold 6 micro-inches min. In contact area.

3. Wave solder tip temperature: 265°C Max, 5 Sec Max

X:X ±0.30	APPD:	LINK-PP INT'L TECHNOLOGY CO., LIMITED		
X:XX ±0.25	CHKD:			
X:XXX ±0.05	DR: TOM	TITLE: RJ45 Connector with 10/100 Base-T Integrated Magnetics		
ANGLES ±1°	UNIT: mm	PART NO.: LPJ0034GDNL		
	SCALE: 2/1	SHEET: 2/2	REV: A	DWG NO.: LP14072112