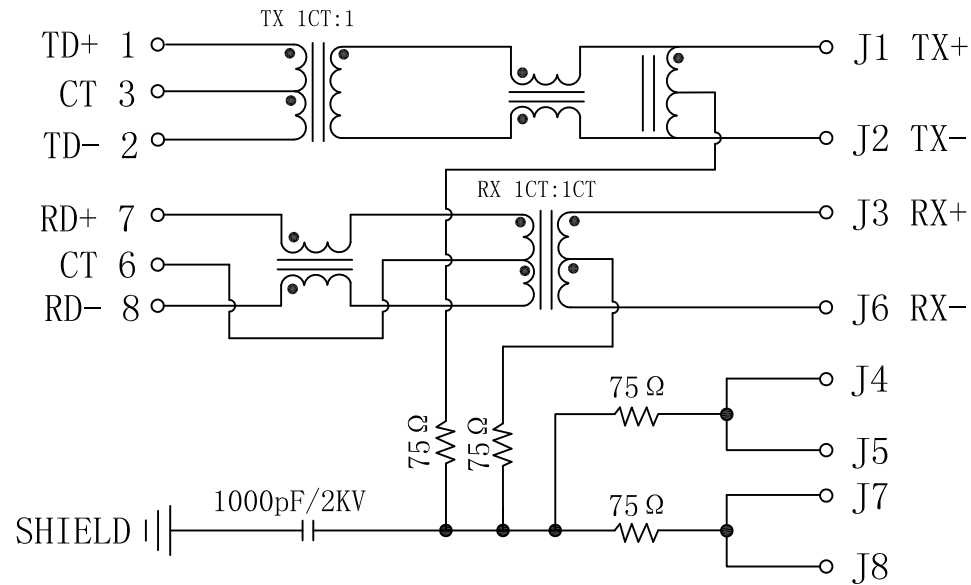


Schematic:

REV.	ECN NO.	DESCRIPTION	DATE	APPD
A	REL		31/11/2009	

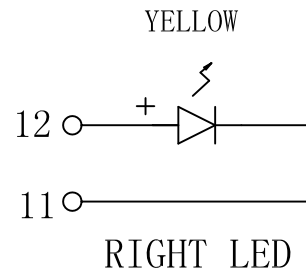
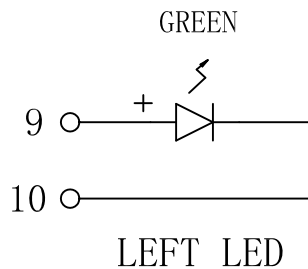
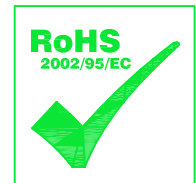
PC BOARD CONNECTIONS



RJ45 CONNECTOR

Electrical Specifications @25°C

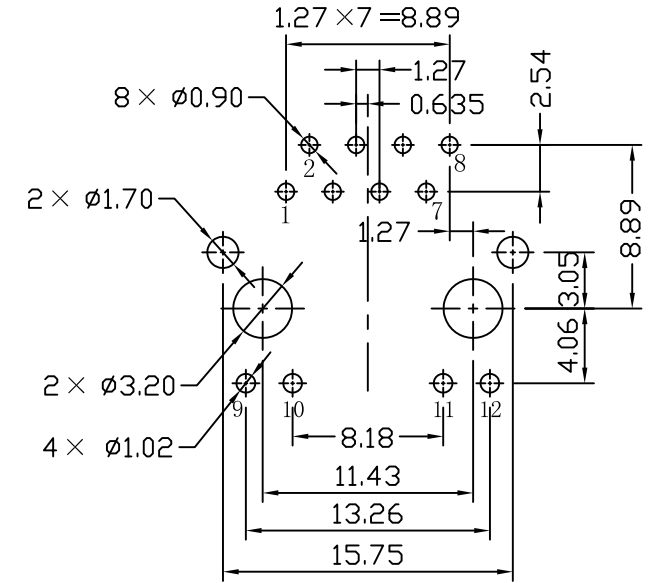
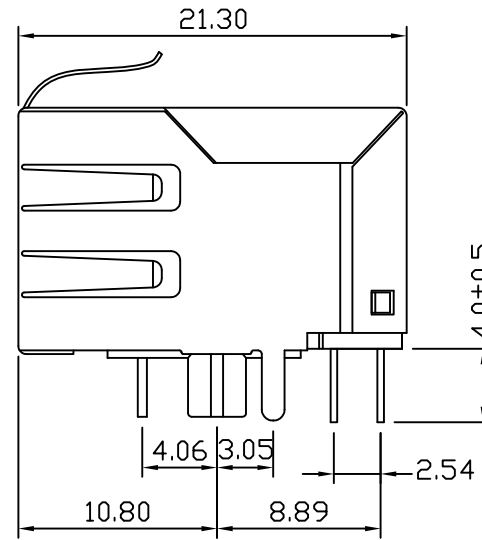
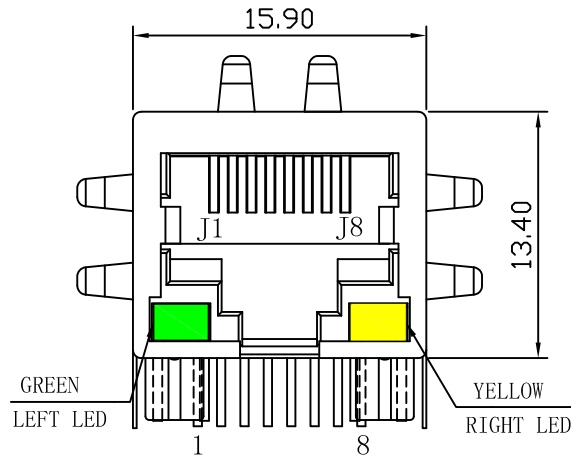
- Turns Ratio:  
TX=1CT:1                      RX=1CT:1CT
- Inductance: 350uH MIN  
@100KHz, 100mVrms, 8 mA DC bias
- Insertion Loss:  
1~65MHz:-1.0dB MAX
- Return Loss (dB MIN):  
1~30MHz:-18                      40MHz:-16  
50MHz:-12                      60MHz:-10
- Crosstalk (dB MIN):  
30MHz:-40                      60MHz:-35  
100MHz:-30
- CMR: (dB MIN):  
30MHz:-30                      60MHz:-20  
100MHz:-20
- Hipot: 1500Vrms
- Operating Temperature: 0°C ~70°C.



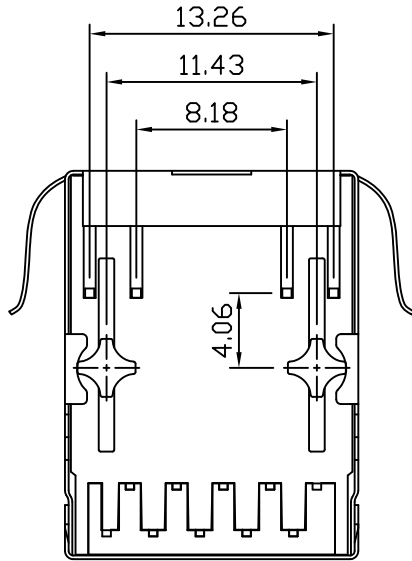
X:X	±0.25	APPD:	LINK-PP INT'L TECHNOLOGY CO., LIMITED	
X:XX	±0.10	CHKD:	TITLE: RJ45 Connector with 10/100 Base-TX Integrated Magnetics	
X:XXX	±0.05	DR: TOM	PART NO.: LPJ0025GBNL	
ANGLES	±1°	UNIT: mm		
	SCALE: 2/1	SHEET: 1/2	REV: A	DWG NO.: LP09111310

# Mechanical:

REV.	ECN NO.	DESCRIPTION	DATE	APPD
A	REL		13/11/2009	



SUGGESTED PCB LAYOUT(TOP VIEW)



## NOTES:

1. Designed to support application, such as SOHO (ADSL modems), LAN-on-Motherboard (LOM), hub and Switches.
2. Meets IEEE 802.3 specification
3. Connector Materials:  
 Housing: Thermoplastic UL94V-0  
 Contact/Shield: Copper alloy  
 Shield plating: Nickel  
 Contact plating: Gold 6 micro-inches min. In contact area.
4. Wave solder tip temperature: 265°C Max  
 Wave solder tip temperature time: 5 Sec Max



X:X	±0.25	APPD:	LINK-PP INT'L TECHNOLOGY CO., LIMITED
X:XX	±0.10	CHKD:	
X:XXX	±0.05	DR: TOM	TITLE: RJ45 Connector with 10/100 Base-TX Integrated Magnetics
ANGLES	±1°	UNIT: mm	PART NO.: LPJ0025GBNL
	SCALE: 2/1	SHEET: 2/2	REV: A
			DWG NO.: LP09111310