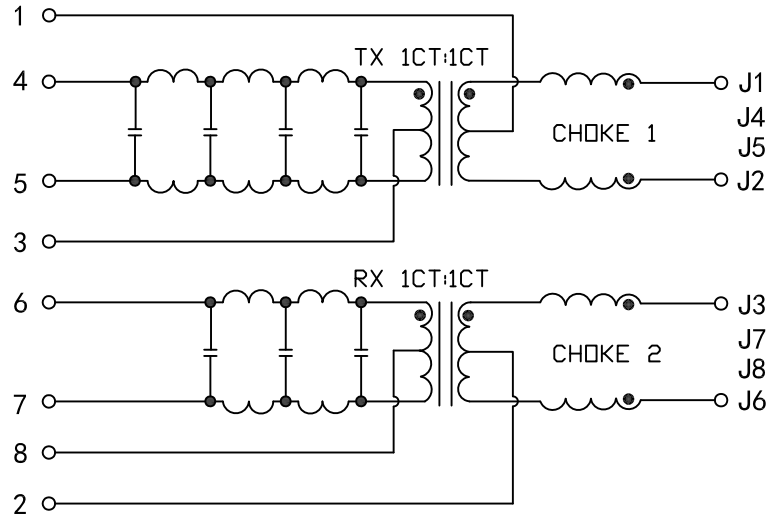


Schematic:

REV.	ECN NO.	DESCRIPTION	DATE	APPD
A	REL		23/12/2008	

PC BOARD CONNECTIONS

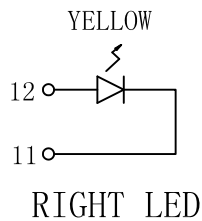
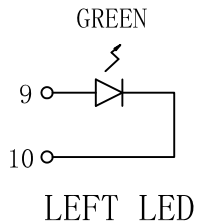


RJ45 CONNECTOR

Electrical Specification:

- Turns Ratio ($\pm 5\%$) :
TX=1CT:1CT RX=1CT:1CT
- Inductance: 150uH Min @100KHz/0.1V
- Insertion Loss:
1-10MHz: -1.0dB Max
- Return Loss:
5-10MHz: -13.5dB Min
- Crosstalk:
1-10MHz: -30dB Min
- Common Mode Rejection:
30-100MHz: -30dB Min
- Attenuation: 20/25/30/40MHz
(TX: -5/-18/-28/-33dB Min);
(RX: -4.2/-11/-16/-26dB Min)
- Isolation Voltage: 1200Vrms/0.5mA.
- Operating temperature: 0°C to 70°C.

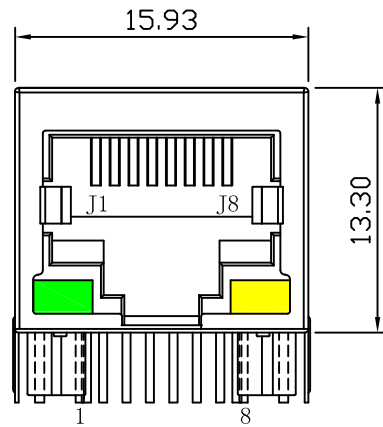
Emitting Color	λ_p (nm)	V _F @I _F =20mA	I _R @V _R =5V
GREEN	565	1.8~2.6V	10 μ A max
YELLOW	585	1.8~2.6V	10 μ A max



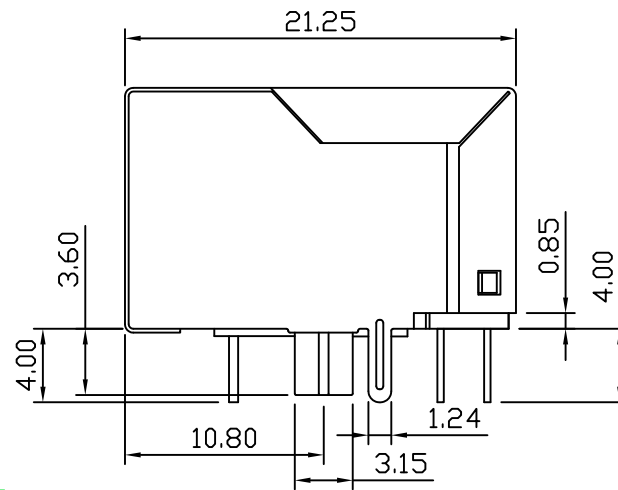
X:X ±0.30	APPD:	LINK-PP INT'L TECHNOLOGY CO., LIMITED
X:XX ±0.25	CHKD:	
X:XXX ±0.05	DR: TOM	TITLE: RJ45 Connector with 10 Base-TX Integrated Magnetic
ANGLES ±1°	UNIT: mm	PART NO.: LPJ0022FBNL
	SCALE: 2/1	SHEET: 1/2
	REV: A	DWG NO.: LP08122321

Mechanical:

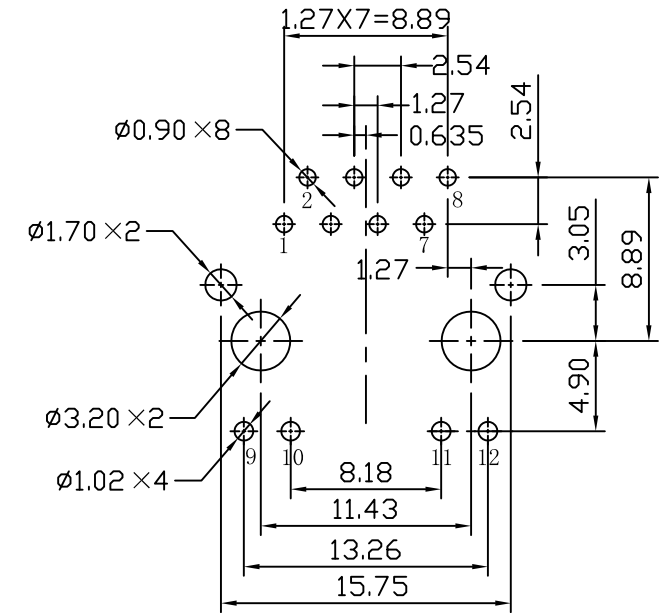
REV.	ECN NO.	DESCRIPTION	DATE	APPD
A	REL		23/12/2008	



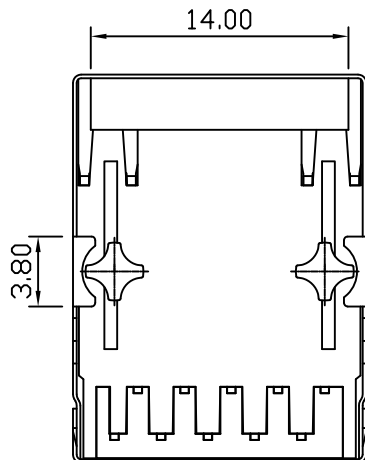
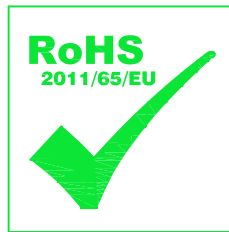
Front Side View



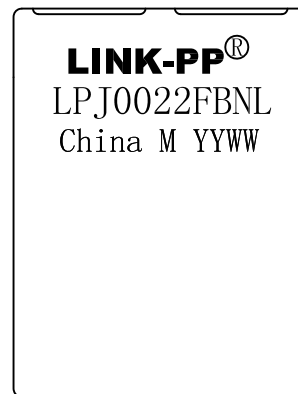
Left Side View



Suggested PCB Layout (Top View)



Bottom Side View



Top Side View

NOTES:

1. Designed to support application, such as SOHO (ADSL modems), LAN-on-Motherboard (LOM), hub and Switches.
2. Meets IEEE802.3 specification.
3. Connector Materials:
 Housing: Thermoplastic PBT+30%G.F UL94V-0
 Contact: Phosphor Bronze C5210R-EH Thickness=0.35mm
 Pins: Brass C2680R-H Thickness=0.35mm
 Shield: SUS 201-1/2H Thickness=0.2mm
 Contact plating: Gold 6 micro-inches min. In contact area.
4. Wave solder tip temperature: 265°C Max, 5 Sec.
5. UL Certification: File Number E484635.

X:X ±0.30	APPD:	LINK-PP INT'L TECHNOLOGY CO., LIMITED
X:XX ±0.25	CHKD:	
X:XXX ±0.05	DR: TOM	TITLE: RJ45 Connector with 10 Base-TX Integrated Magnetic
ANGLES ±1°	UNIT: mm	PART NO.: LPJ0022FBNL
	SCALE: 2/1	SHEET: 2/2
	REV: A	DWG NO.: LP08122321