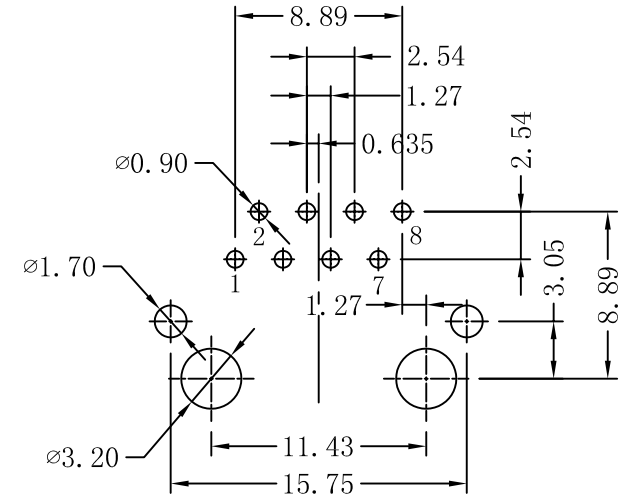
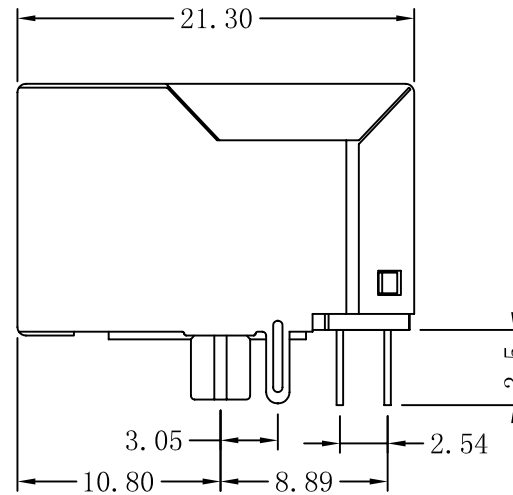
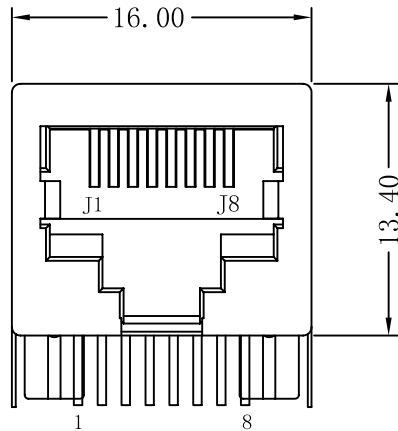
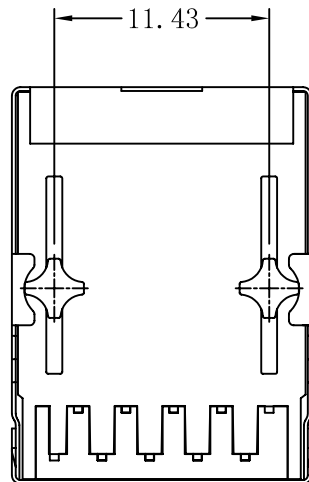


Mechanical:

REV.	ECN NO.	DESCRIPTION	DATE	APPD
A	REL		08/07/2009	



SUGGESTED PCB LAYOUT (TOP VIEW)



NOTES:

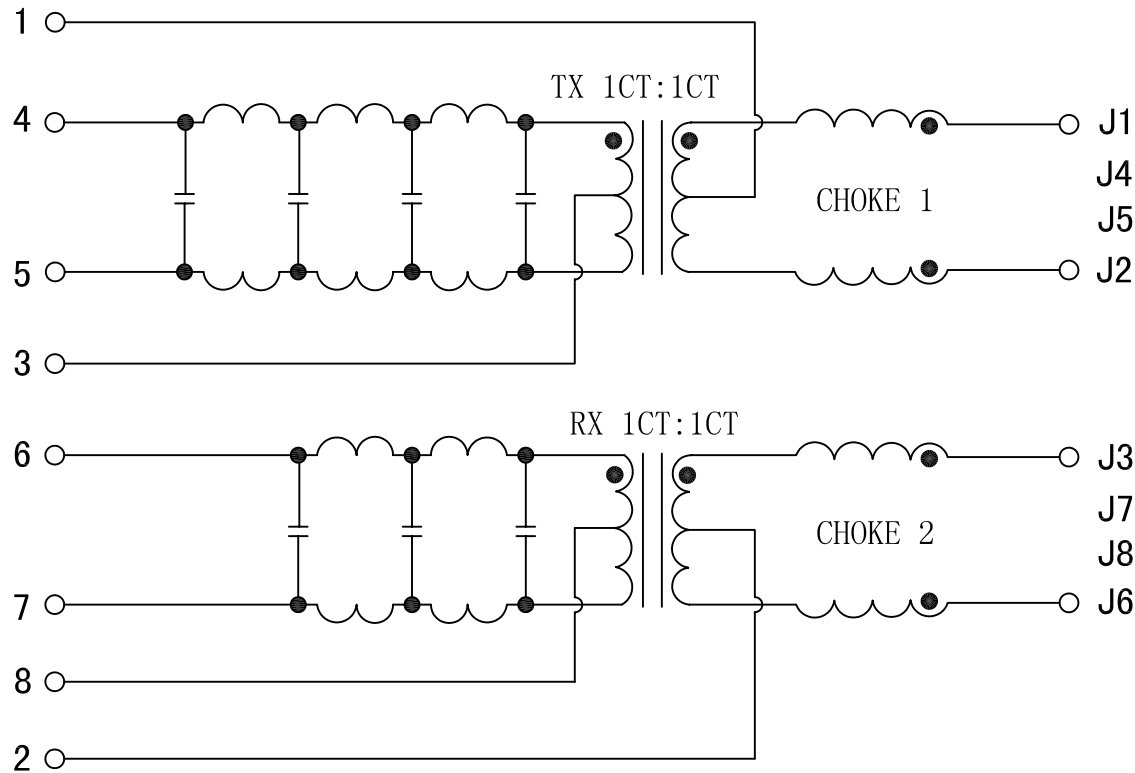
1. Designed to support application, such as SOHO (ADSL modems), LAN-on-Motherboard (LOM), hub and Switches.
2. Meets IEEE 802.3 specification
3. Connector Materials:
 Housing: Thermoplastic UL94V-0
 Contact/Shield: Copper alloy
 Shield plating: Nickel
 Contact plating: Gold 6 micro-inches min. In contact area.
4. Wave solder tip temperature: 265°C Max
 Wave solder tip temperature time: 5 Sec Max



X:X	±0.25	APPD:	LINK-PP INT'L TECHNOLOGY CO., LIMITED	
X:XX	±0.10	CHKD:	TITLE: RJ45 Connector With 10 Base-TX Integrated Magnetic	
X:XXX	±0.05	DR: TOM	PART NO.: LPJ0022DNL	
ANGLES	±1°	UNIT: mm	DWG NO.: LP09070801	
		SCALE: 2/1	SHEET: 1/2	REV: A

Schematic:

REV.	ECN NO.	DESCRIPTION	DATE	APPD
A	REL		08/07/2009	



Electrical Specifications @25°C

- Turns Ratio ($\pm 5\%$) :
TX=1CT:1CT RX=1CT:1CT
- Return Loss (TX/RX) :
5-10MHz:-13.5dB Min
- Crosstalk (TX/RX) :
1-10MHz:-30dB Min
- Insertion Loss (TX/RX) :
1-10MHz:-1.0dB Max
- Attenuation (TX/RX) :
20/25/30/40MHz
(TX:-5/-18/-28/-33dB Min) ;
(RX:-4.2/-11/-16/-26dB Min)
- CMR (TX/RX) :
30-100MHz:-30dB Min
- Isolation Voltage:1200Vrms/0.5mA
- Inductance:150uH Min @100KHz/0.1V
- Operating temperature range: 0°C ~70°C.



X:X	± 0.25	APPD:	LINK-PP INT'L TECHNOLOGY CO., LIMITED	
X:XX	± 0.10	CHKD:	TITLE: RJ45 Connector With 10 Base-TX Integrated Magnetic	
X:XXX	± 0.05	DR: TOM	PART NO. : LPJ0022DNL	
ANGLES	$\pm 1^\circ$	UNIT: mm		
	SCALE: 2/1	SHEET: 2/2	REV: A	DWG NO. : LP09070801