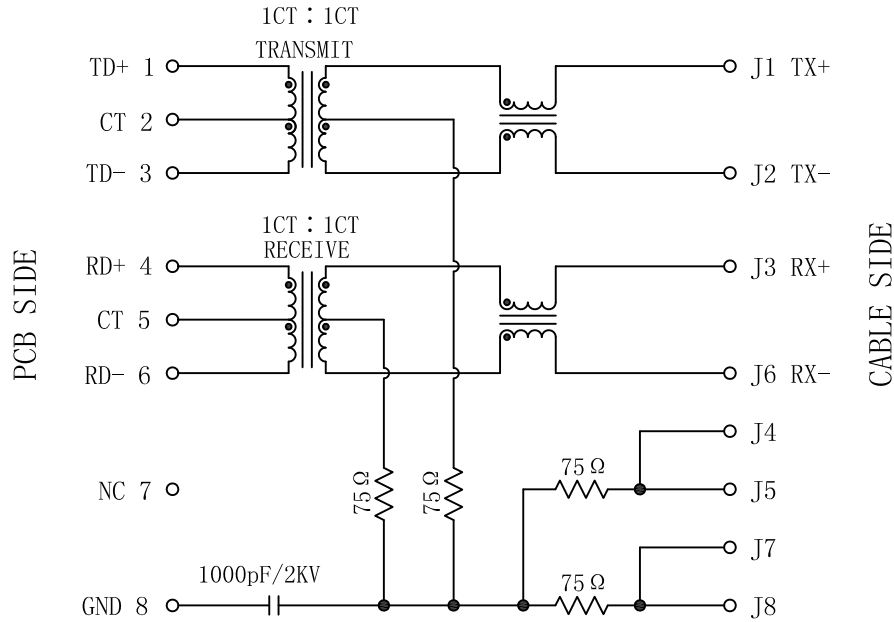


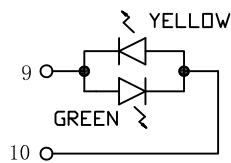
Schematic:

| REV. | ECN NO. | DESCRIPTION | DATE | APPD |
|------|---------|-------------|------------|------|
| A | REL | | 2015-01-22 | |

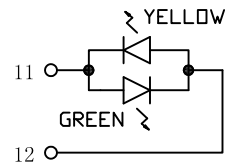


ELECTRICAL SPECIFICATIONS @25°C

- Turn Ratio ($\pm 2\%$):
TX=1CT:1CT RX=1CT:1CT
- Inductance OCL: 350uH MIN
@ 100KHz/0.1V 8mA DC Bias
- Insertion Loss:
1. 0-100MHz: -1.0dB MAX
- Return Loss (dB MIN):
1-30MHz: -18 30-60MHz: -15
60-80MHz: -12 80-100MHz: -10
- Cross talk (dB MIN):
30MHz: -40 60MHz: -35
100MHz: -30
- Common Mode Rejection (dB MIN):
30MHz: -40 60MHz: -35
100MHz: -30
- Hipot Test: 1500Vrms
- Operating Temperature Range: 0°C TO 70°C



LEFT LED



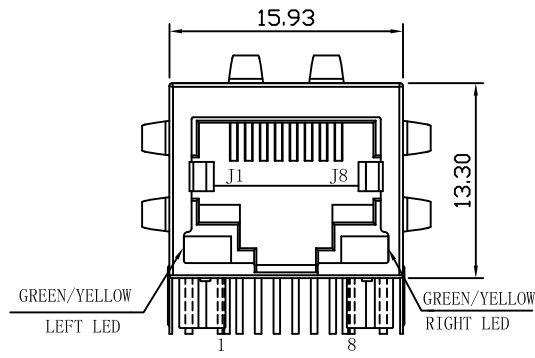
RIGHT LED

| Emitting Color | λ_p (nm) | VF@IF=20mA | IR @VR=5V |
|----------------|------------------|------------|----------------|
| GREEN | 565 | 1.8~2.6V | 10 μ A max |
| YELLOW | 585 | 1.8~2.6V | 10 μ A max |

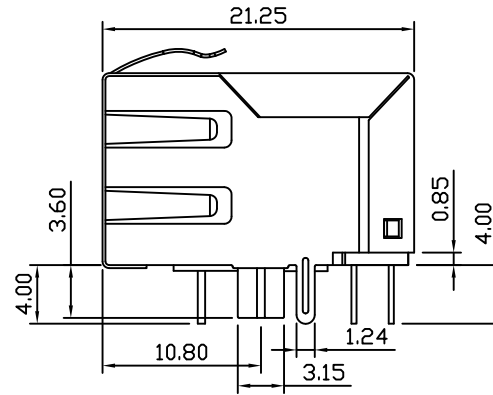
| | | | | |
|--------|---------------|------------|---|--|
| X:X | ± 0.30 | APPD: | LINK-PP INT'L TECHNOLOGY CO., LIMITED | |
| X:XX | ± 0.25 | CHKD: | TITLE: RJ45 Connector with 10/100 Base-T Integrated Magnetics | |
| X:XXX | ± 0.05 | DR: TOM | PART NO.: LPJ0012G4NL | |
| ANGLES | $\pm 1^\circ$ | UNIT: mm | DWG NO.: LP10032022 | |
| | SCALE: 2/1 | SHEET: 1/2 | REV: A | |

Mechanical:

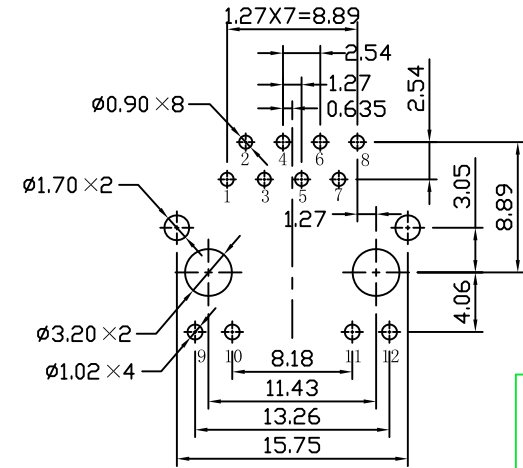
| REV. | ECN NO. | DESCRIPTION | DATE | APPD |
|------|---------|-------------|------------|------|
| A | REL | | 2015-01-22 | |



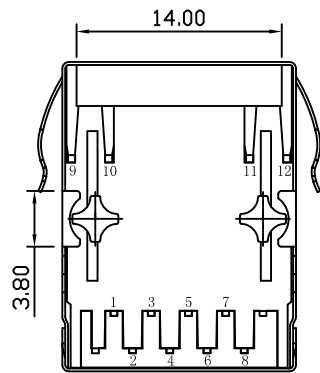
Front Side View



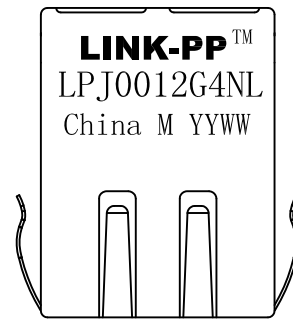
Left Side View



Suggested PCB Layout (Top View)



Bottom Side View



Top Side View

NOTES:

1. Designed to support application, such as SOHO (ADSL modems), LAN-on-Motherboard (LOM), hub and Switches.
2. Meets IEEE802.3 specification
3. Connector Materials:
 Housing: Thermoplastic PBT+30%G.F UL94V-0
 Contact: Phosphor Bronze C5210R-EH Thickness=0.35mm
 Pins: Brass C2680R-H Thickness=0.35mm
 Shield: SUS 201-1/2H Thickness=0.2mm
 Contact plating: Gold 6 micro-inches min. In contact area.
4. Wave solder tip temperature: 265°C Max, 5 Sec Max.

| | | | | |
|--------|------------|------------|---|--|
| X:X | ±0.30 | APPD: | LINK-PP INT'L TECHNOLOGY CO., LIMITED | |
| X:XX | ±0.25 | CHKD: | TITLE: RJ45 Connector with 10/100 Base-T Integrated Magnetics | |
| X:XXX | ±0.05 | DR: TOM | PART NO.: LPJ0012G4NL | |
| ANGLES | ±1° | UNIT: mm | DWG NO.: LP10032022 | |
| | SCALE: 2/1 | SHEET: 2/2 | REV: A | |