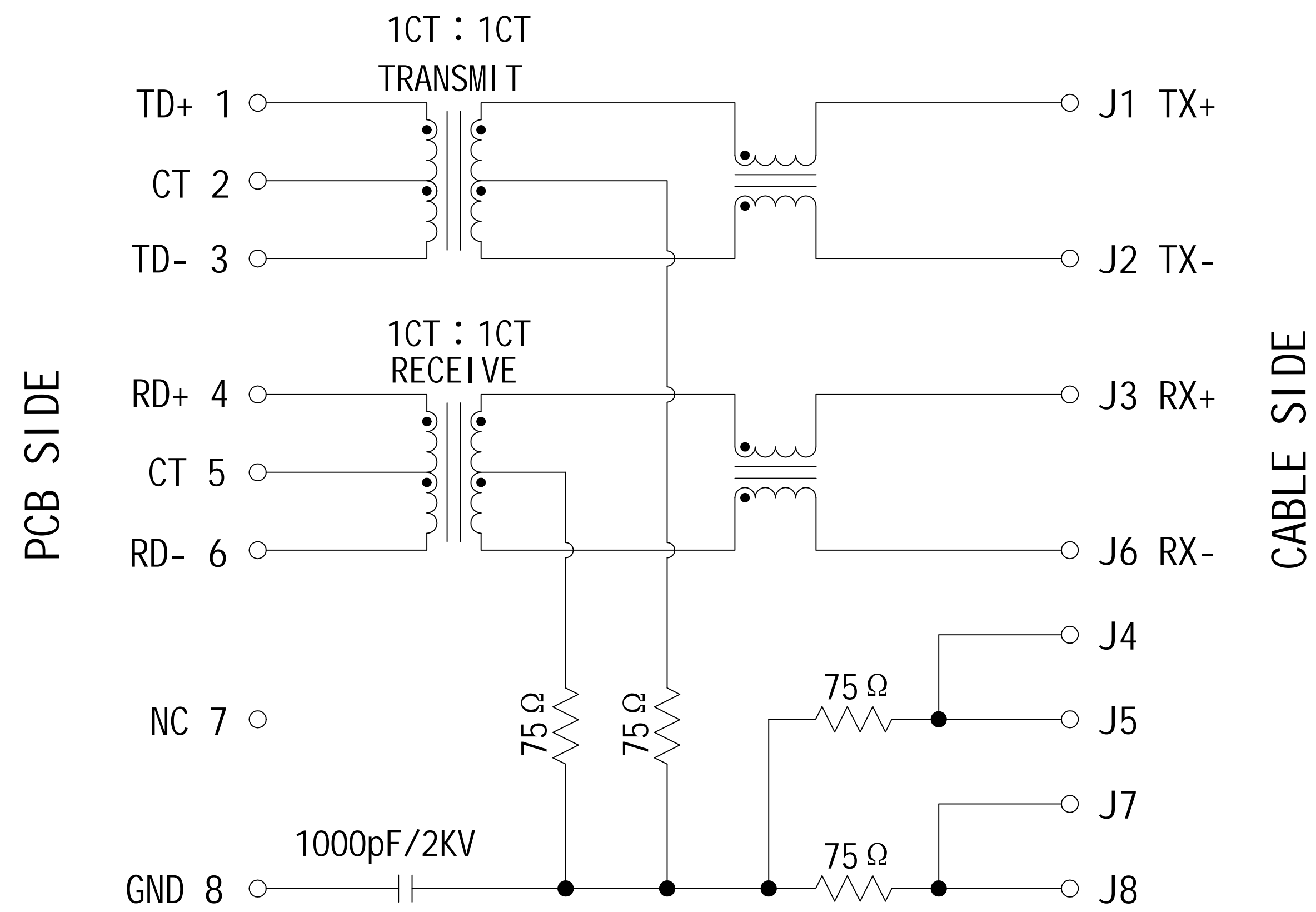


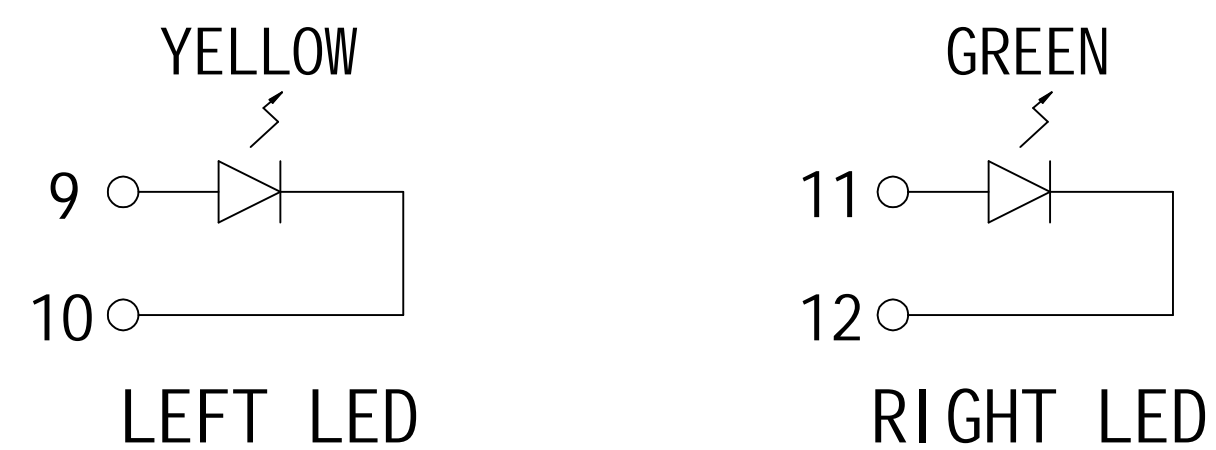
Schematic:

REV.	ECN NO.	DESCRIPTION	DATE	APPD
A	REL		2010-03-20	



ELECTRICAL SPECIFICATIONS @25°C

- Turn Ratio($\pm 2\%$):
TX=1CT:1CT RX=1CT:1CT
- Inductance OCL: 350uH MIN
@ 100KHz/0.1V 8mA DC Bias
- Insertion Loss:
1.0-100MHz: -1.0dB MAX
- Return Loss(dB MIN):
1-30MHz: -16 30-60MHz: -14
60-80MHz: -12 80-100MHz: -10
- Cross talk(dB MIN): 1-100MHz: -30
- Common Mode Rejection(dB MIN): 1-100MHz: -30
- Hi pot Test: 1500Vrms
- Operating Temperature Range: 0°C TO 70°C



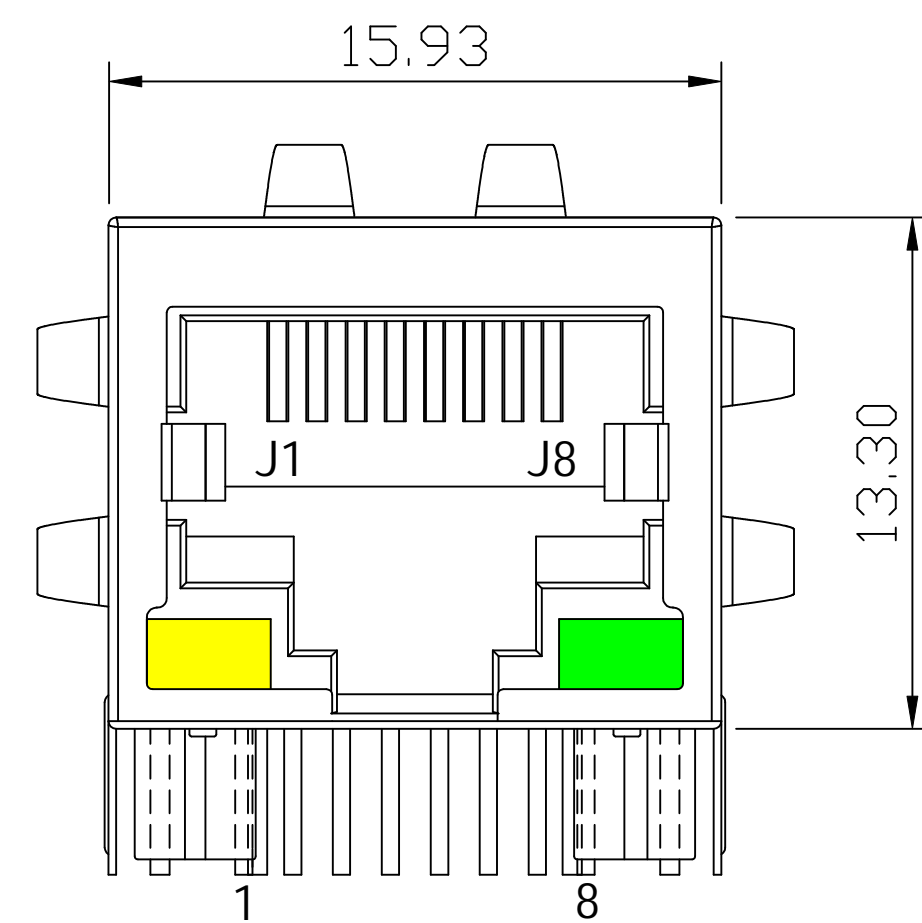
Emitting Color	λ p(nm)	V _F @I _F =20mA	I _R @V _R =5V
GREEN	565	1.8-2.6V	10 μ A max
YELLOW	585	1.8-2.6V	10 μ A max



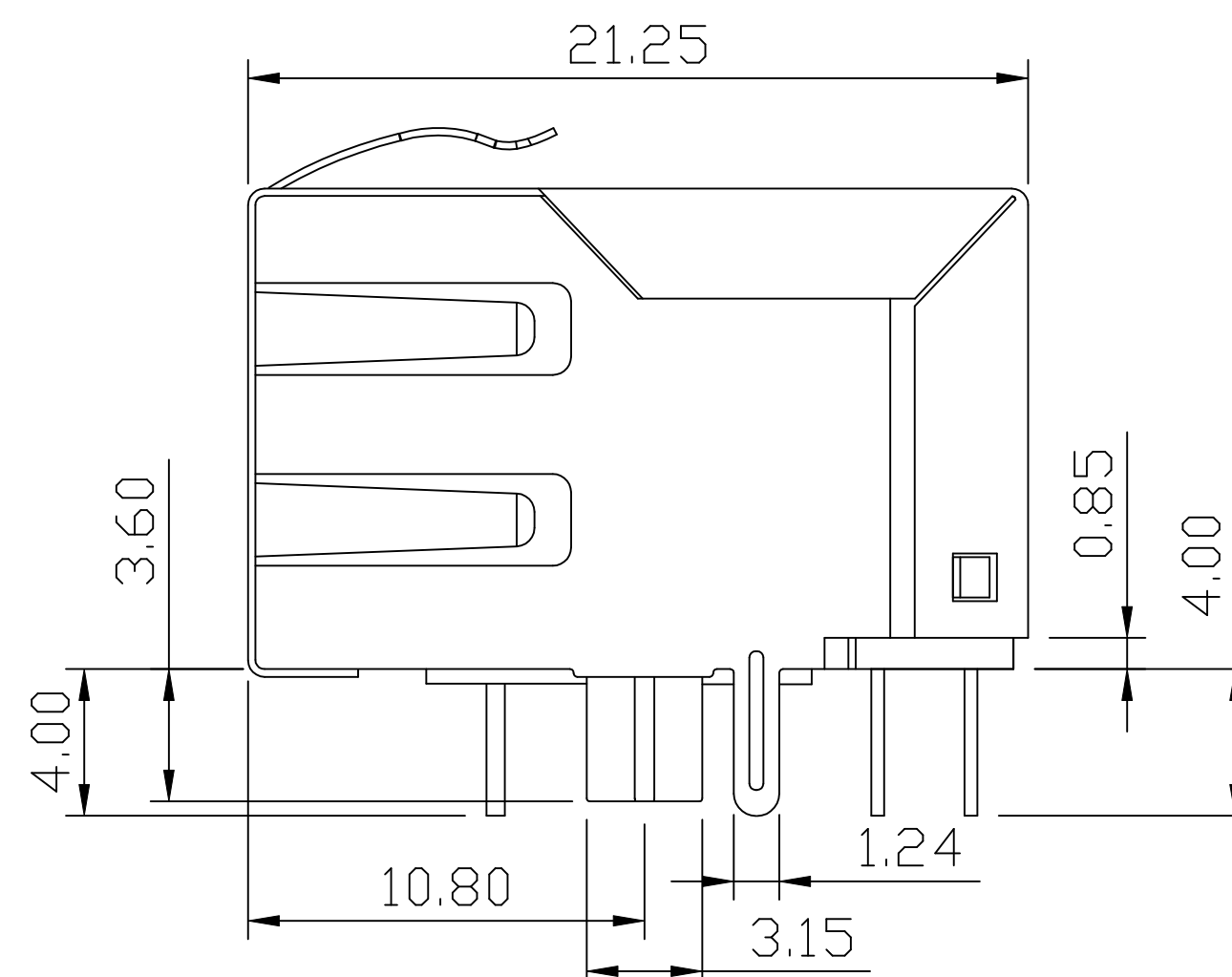
X: X	± 0.30	APPD: TOM	LINK-PP INT'L TECHNOLOGY CO., LIMITED
X: XX	± 0.25	CHKD: JAMES	
X: XXX	± 0.05	DR: JULY	
ANGLES $\pm 1^\circ$		UNIT: mm	TITLE: RJ45 Connector with 10/100 Base-T Integrated Magnetics
			PART NO.: LPJ0012-9GDNL
	SCALE: 2/1	SHEET: 1/2	REV: A
			DWG NO.: LP10032015

Mechanical :

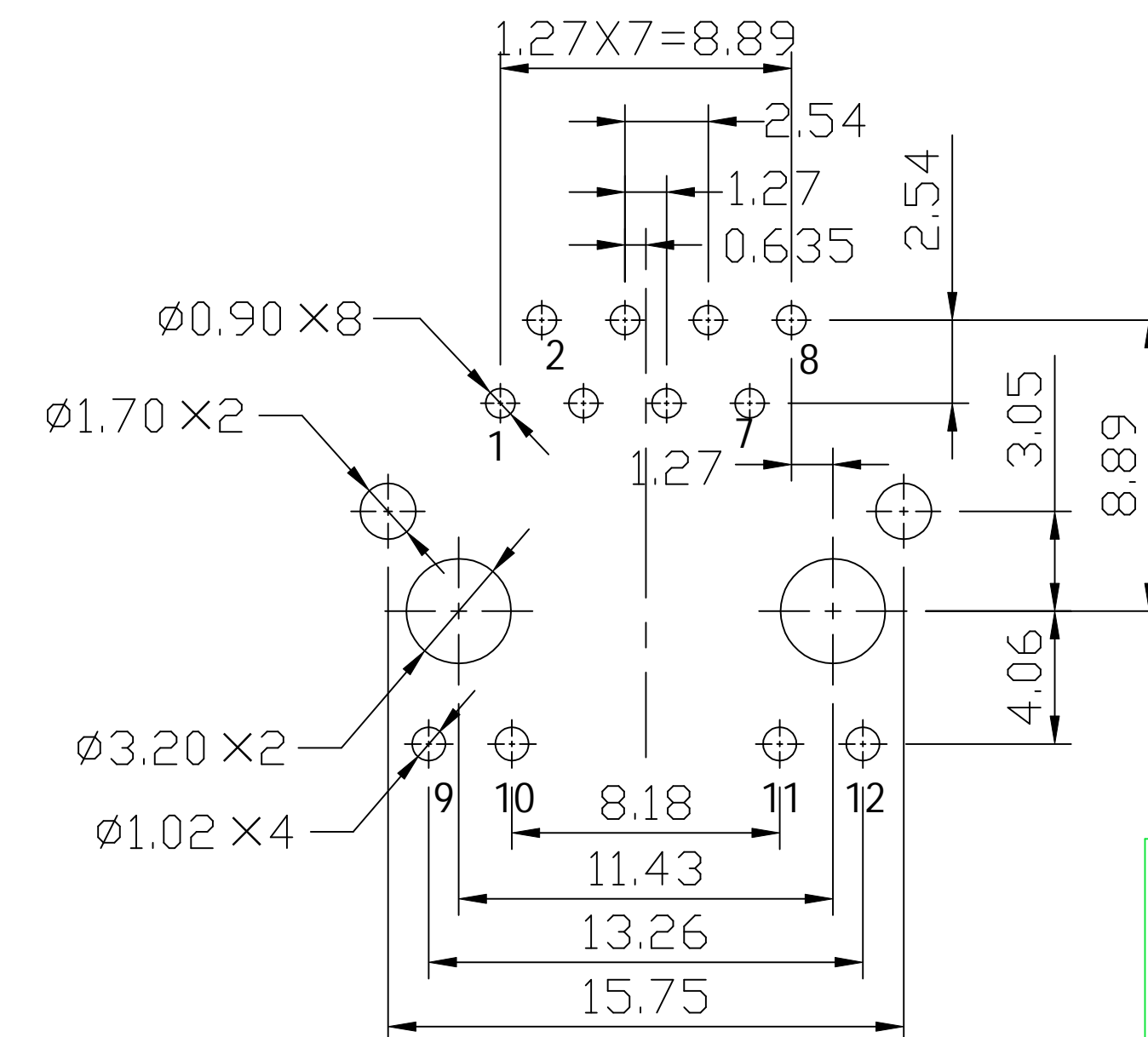
REV.	ECN NO.	DESCRIPTION	DATE	APPD
A	REL		2010-03-20	



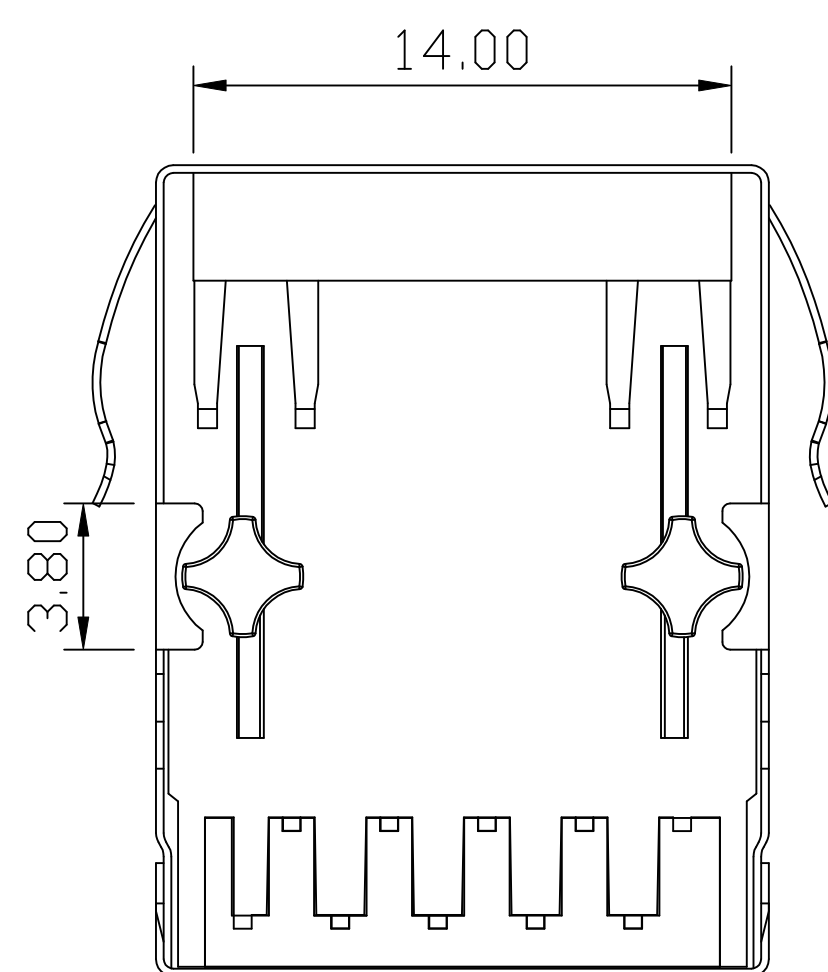
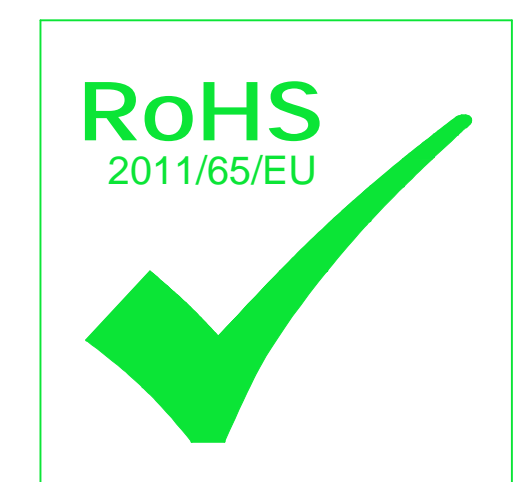
Front Side View



Left Side View



Suggested PCB Layout (Top View)



Bottom Side View



Top Side View

NOTES:

1. Designed to support application, such as SOHO (ADSL modems), LAN-on-Motherboard (LOM), hub and Switches.
2. Connector Materials:
 Housing: Thermoplastic PBT+30%G.F UL94V-0
 Contact: Phosphor Bronze C5210R-EH Thickness=0.35mm
 Pins: Brass C2680R-H Thickness=0.35mm
 Shield: SUS 201-1/2H Thickness=0.2mm
 Contact plating: Gold 50 micro-inches min. In contact area.
3. Wave solder tip temperature: 265°C Max, 5 Sec.
4. UL Certification: File Number E484635.

X: X	±0.30	APPD: TOM	LINK-PP INT'L TECHNOLOGY CO., LIMITED
X: XX	±0.25	CHKD: JAMES	
X: XXX	±0.05	DR: JULY	TITLE: RJ45 Connector with 10/100 Base-T Integrated Magnetics
ANGLES	±1°	UNIT: mm	PART NO.: LPJ0012-9GDNL
	SCALE: 2/1	SHEET: 2/2	REV: A
			DWG NO.: LP10032015