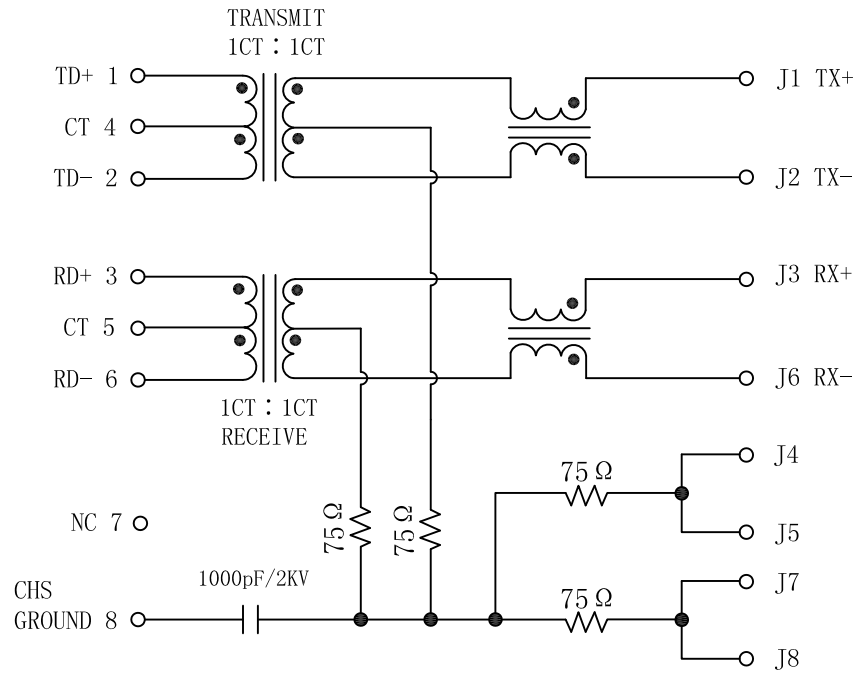


Schematic:

REV.	ECN NO.	DESCRIPTION	DATE	APPD
A	REL		2015-01-22	

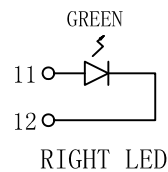
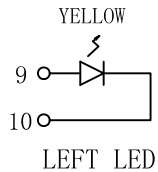
PC BOARD CONNECTIONS



RJ45 CONNECTOR

ELECTRICAL SPECIFICATIONS: @25°C

- Turn Ratio ($\pm 2\%$):
TX=1CT : 1CT RX=1CT : 1CT
- Inductance OCL: 350uH MIN
@100KHz 0.1V 8mA DC Bias
- Insertion Loss:
-1.0dB MAX @1.0-100MHz
- Return Loss:
-18dB MIN @1-30MHz
-15dB MIN @30-60MHz
-12dB MIN @60-80MHz
-10dB MIN @80-100MHz
- Cross talk:
-40dB MIN @30MHz
-35dB MIN @60MHz
-30dB MIN @100MHz
- Common Mode Rejection:
-40dB MIN @30MHz
-35dB MIN @60MHz
-30dB MIN @100MHz
- Hipot: 1500Vrms
- Operating Temperature Range: 0°C TO 70°C.

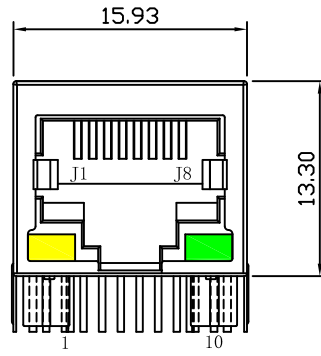


Emitting Color	λ p(nm)	V _F @I _F =20mA	I _R @V _R =5V
GREEN	565	1.8~2.6V	10 μ A max
YELLOW	585	1.8~2.6V	10 μ A max

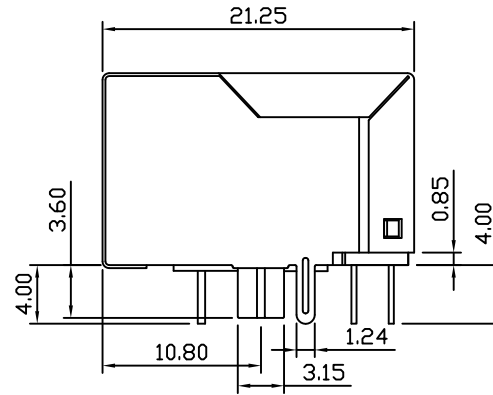
X:X	± 0.30	APPD:	LINK-PP INT'L TECHNOLOGY CO., LIMITED	
X:XX	± 0.25	CHKD:		
X:XXX	± 0.05	DR:	TITLE: RJ45 Connector with 10/100 Base-T Integrated Magnetics	
ANGLES	$\pm 1^\circ$	UNIT: mm	PART NO.: LPJ0011HDNL	
	SCALE: 2/1	SHEET: 1/2	REV: A	DWG NO.: LP10032017

Mechanical:

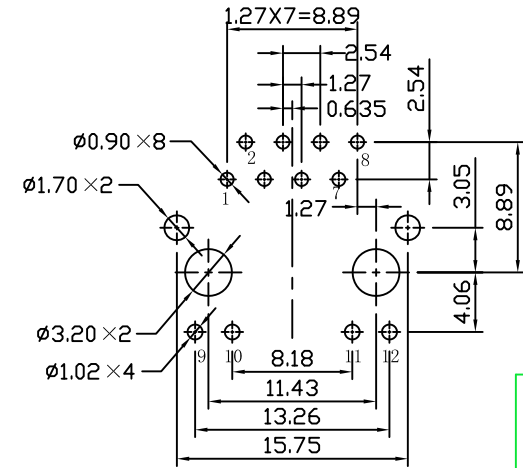
REV.	ECN NO.	DESCRIPTION	DATE	APPD
A	REL		2015-01-22	



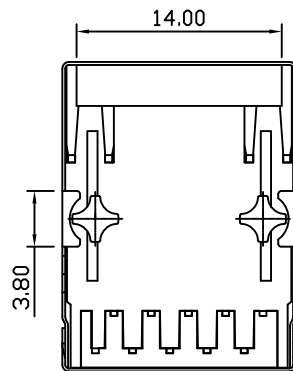
Front Side View



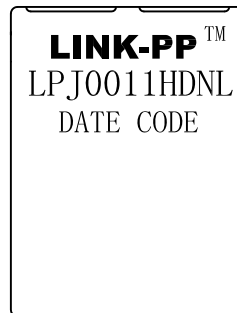
Left Side View



Suggested PCB Layout (Top View)



Bottom Side View



Top Side View

NOTES:

1. Designed to support application, such as SOHO (ADSL modems), LAN-on-Motherboard (LOM), hub and Switches.
2. Meets IEEE802.3 specification.
3. Connector Materials:
 Housing: Thermoplastic PBT+30%G. F UL94V-0
 Contact: Phosphor Bronze C5210R-EH Thickness=0.35mm
 Pins: Brass C2680R-H Thickness=0.35mm
 Shield: SUS 201-1/2H Thickness=0.2mm
 Contact plating: Gold 6 micro-inches min. In contact area.
4. Wave solder tip temperature: 265°C Max, 5 Sec Max.

X:X	±0.30	APPD:	LINK-PP INT'L TECHNOLOGY CO., LIMITED	
X:XX	±0.25	CHKD:	TITLE: RJ45 Connector with 10/100 Base-T Integrated Magnetics	
X:XXX	±0.05	DR: TOM	PART NO.: LPJ0011HDNL	
ANGLES	±1°	UNIT: mm	DWG NO.: LP10032017	
	SCALE: 2/1	SHEET: 2/2	REV: A	