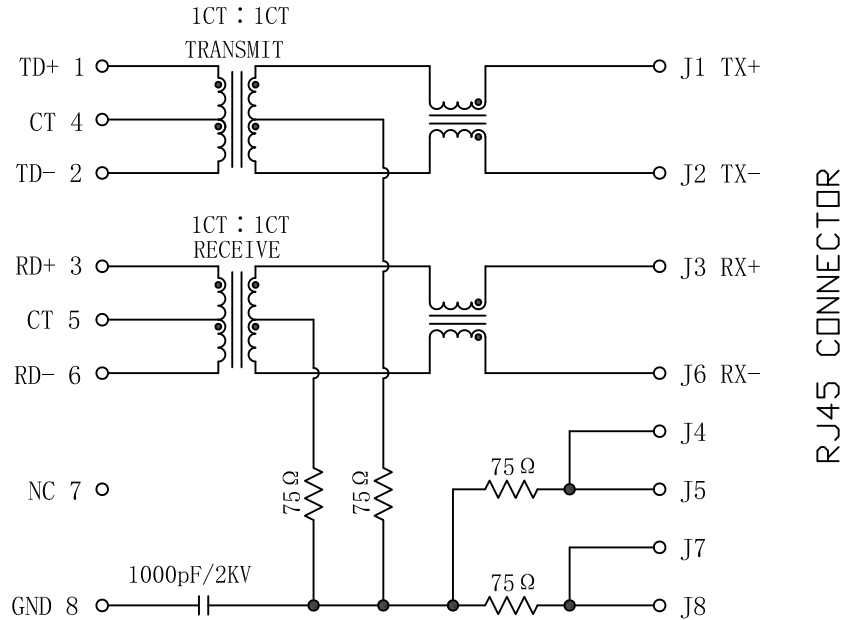


Schematic:

REV.	ECN NO.	DESCRIPTION	DATE	APPD
A	REL		2008-12-12	

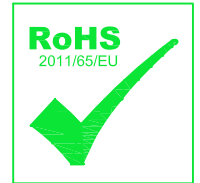
PC BOARD CONNECTIONS



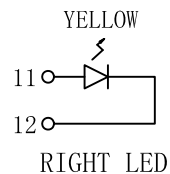
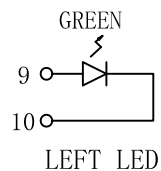
RJ45 CONNECTOR

ELECTRICAL SPECIFICATIONS @25°C

- Turn Ratio ($\pm 2\%$):
TX=1CT:1CT RX=1CT:1CT
- Inductance OCL: 350uH MIN
@ 100KHz/0.1V 8mA DC Bias
- Insertion Loss:
1~100MHz:-1.0dB MAX
- Return Loss (dB MIN):
1~30MHz: -18 30~60MHz:-15
60~80MHz: -12 80~100MHz:-10
- Cross talk (dB MIN):
30MHz: -40 60MHz: -35
100MHz:-30
- Common Mode Rejection (dB MIN):
30MHz: -40 60MHz: -35
100MHz:-30
- Hipot Test: 1500Vrms
- Operating Temperature Range: 0°C~70°C.



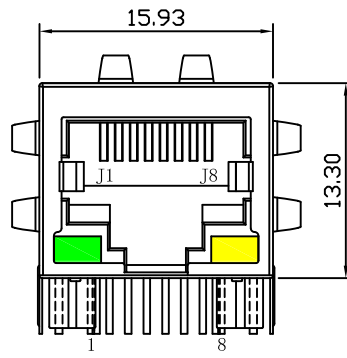
Emitting Color	λ p(nm)	VF@IF=20mA	IR@VR=5V
GREEN	565	1.8-2.6V	10 μ A max
YELLOW	585	1.8-2.6V	10 μ A max



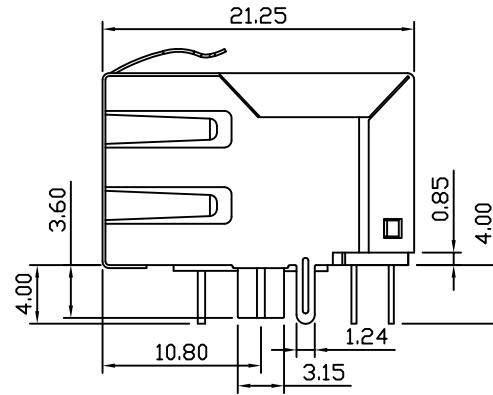
X:X ± 0.30	APPD:	LINK-PP INT'L TECHNOLOGY CO., LIMITED
X:XX ± 0.25	CHKD:	
X:XXX ± 0.05	DR: TOM	TITLE: RJ45 Connector with 10/100 Base-T Integrated Magnetics
ANGLES $\pm 1^\circ$	UNIT: mm	PART NO.: LPJ0011GENL
	SCALE: 2/1	SHEET: 1/2
	REV: A	DWG NO.: LP08121205

Mechanical:

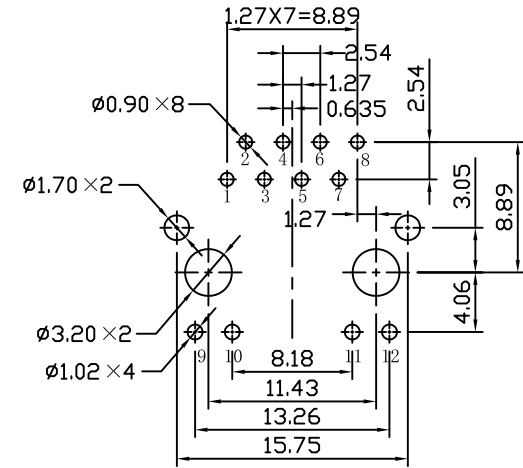
REV.	ECN NO.	DESCRIPTION	DATE	APPD
A	REL		2008-12-12	



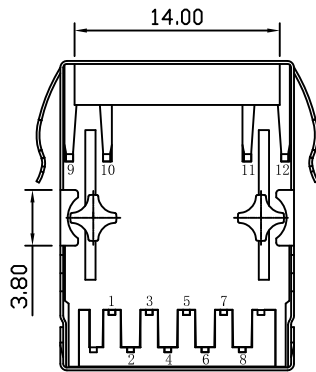
Front Side View



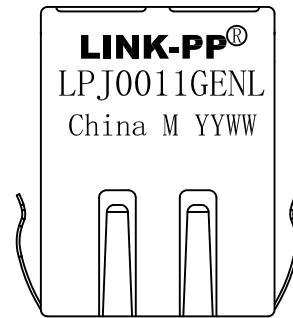
Left Side View



Suggested PCB Layout (Top View)



Bottom Side View



Top Side View

NOTES:

1. Designed to support application, such as SOHO (ADSL modems), LAN-on-Motherboard (LOM), hub and Switches.
2. Meets IEEE 802.3 specification
3. Connector Materials:
 Housing: Thermoplastic PBT+30%G.F UL94V-0
 Contact: Phosphor Bronze C5210R-EH Thickness=0.35mm
 Pins: Brass C2680R-H Thickness=0.35mm
 Shield: SUS 201-1/2H Thickness=0.2mm
 Contact plating: Gold 6 micro-inches min. In contact area.
4. Wave solder tip temperature: 265°C Max, 5 Sec.
5. UL Certification: File Number E484635.

X:X ±0.30	APPD:	LINK-PP INT'L TECHNOLOGY CO., LIMITED
X:XX ±0.25	CHKD:	
X:XXX ±0.05	DR: TOM	TITLE: RJ45 Connector with 10/100 Base-T Integrated Magnetics
ANGLES ±1°	UNIT: mm	PART NO.: LPJ0011GENL
	SCALE: 2/1	SHEET: 2/2
	REV: A	DWG NO.: LP08121205