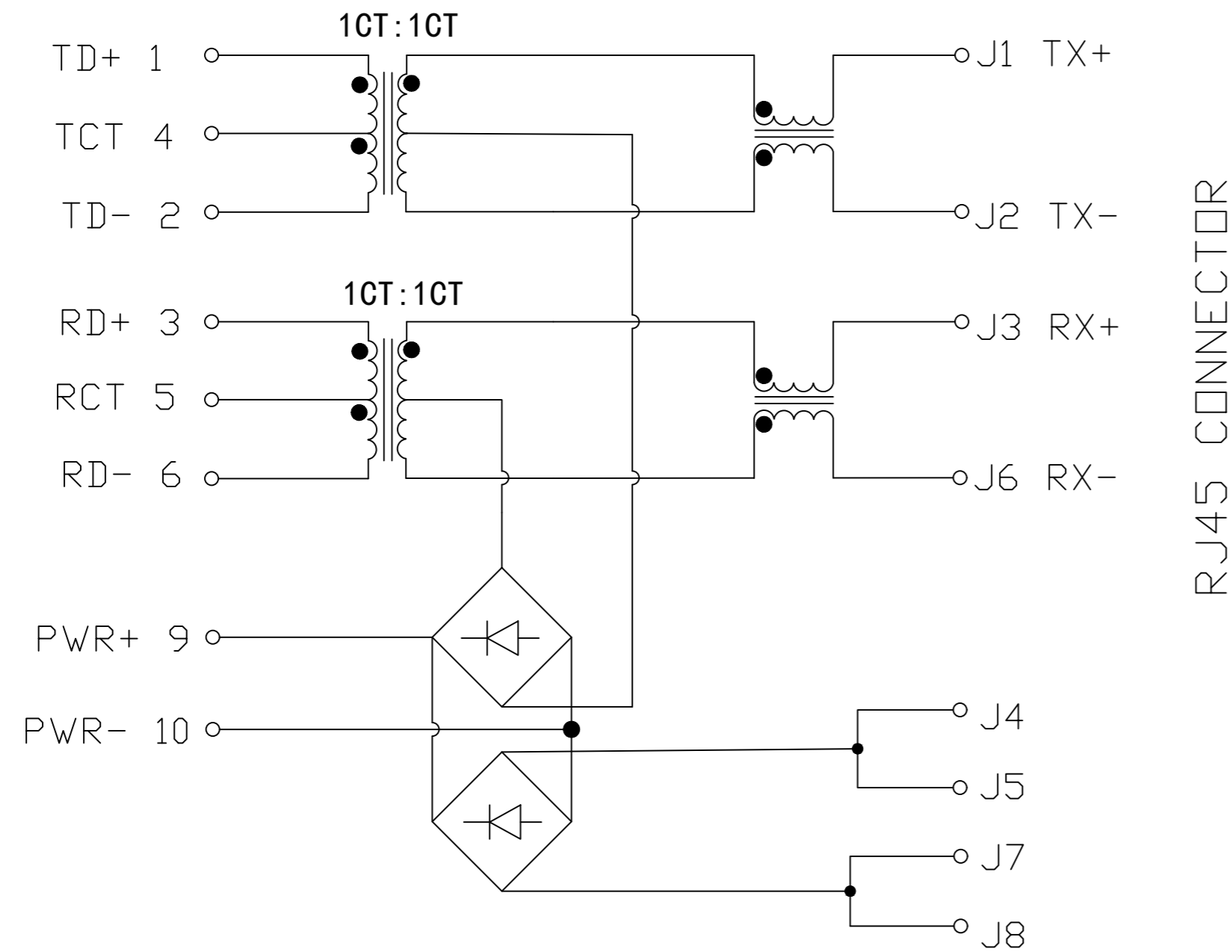


Schematic:

REV.	ECN NO.	DESCRIPTION	DATE	APPD
A	REL		2012-03-29	

PC BOARD CONNECTIONS

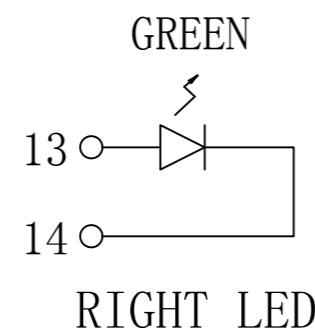
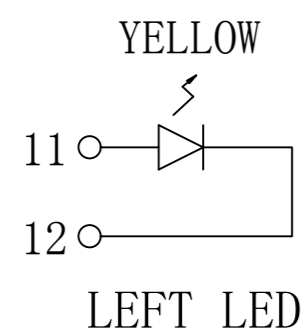


RJ45 CONNECTOR

Electrical Specifications @ 25°C

- Turns Ratio ( $\pm 3\%$ ) :  
TX=1CT : 1CT      RX=1CT : 1CT
- OCL: 350uH Min  
@100KHz, 100mV, 8mA DC Bias.
- Insertion Loss:  
0.5~100MHz:-1.1dB Max
- Return Loss(dB Min. load 100  $\Omega$ ) :  
0.5~40MHz: -18  
40.1~100MHz: -12-20\*LOG(f/30)
- Crosstalk(dB Min) :  
0.5~40MHz:-35  
40.1~100MHz: -33-20\*LOG(f/50)
- CMRR:  
0.5~100MHz:-30dB Min
- Balance DC Line current:  
350mA MAX, @57VDC Continuous;
- Isolation Voltage: 1500Vrms
- Operating Temperature Range: 0°C~70°C.

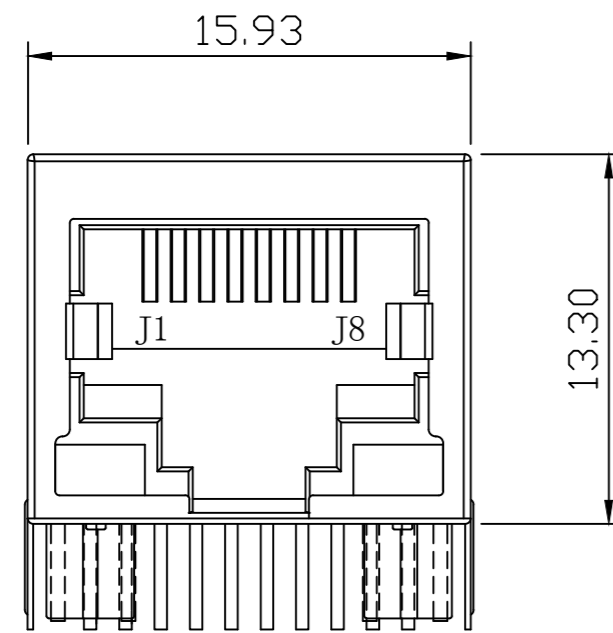
Emitting Color	$\lambda_p$ (nm)	V <sub>F</sub> @I <sub>F</sub> =20mA	I <sub>R</sub> @V <sub>R</sub> =5V
GREEN	565	1.8~2.6V	10 $\mu$ A max
YELLOW	585	1.8~2.6V	10 $\mu$ A max



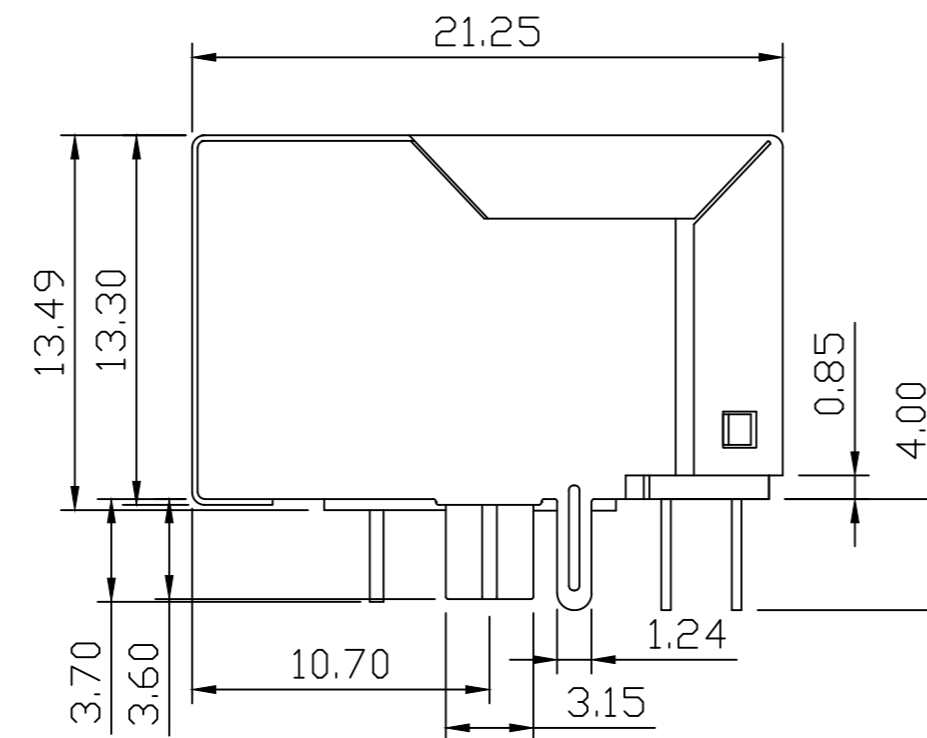
X:X ±0.30	APPD: TOM	LINK-PP INT'L TECHNOLOGY CO., LIMITED
X:XX ±0.25	CHKD: JAMES	
X:XXX ±0.05	DR: LEO	
ANGLES ±1°	UNIT: mm	TITLE: RJ45 Connector with 10/100 Base-T Integrated Magnetics For PoE Application
		PART NO.: LPJ0009HDNL
	SCALE: 2/1	SHEET: 1/2
	REV: A	DWG NO.: LP12032910

# Mechanical:

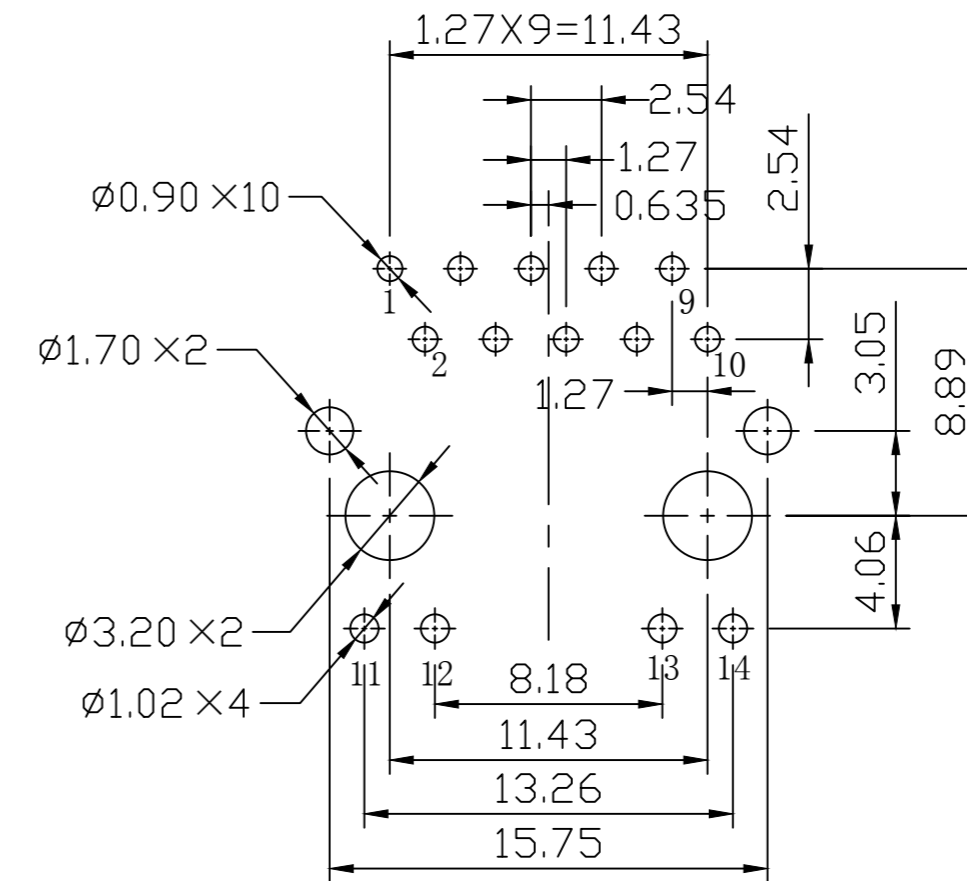
REV.	ECN NO.	DESCRIPTION	DATE	APPD
A	REL		2012-03-29	



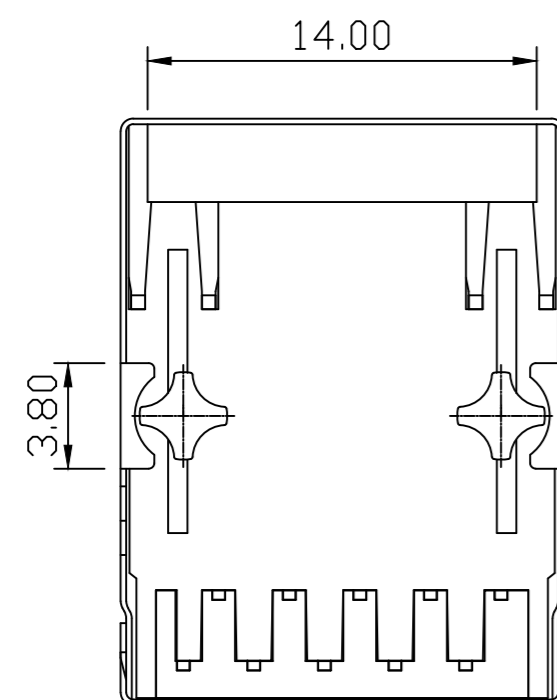
Front Side View



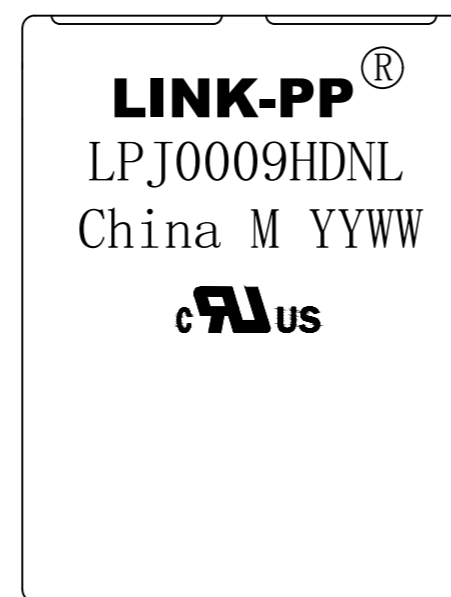
Left Side View



Suggested PCB Layout (Top View)



Bottom Side View



Top Side View

## NOTES:

1. Designed to support application, such as SOHO (ADSL modems), LAN-on-Motherboard (LOM), hub and Switches.
2. Meets IEEE802.3af specification
3. Connector Materials:  
 Housing: Thermoplastic PBT+30%G.F UL94V-0  
 Contact: Phosphor Bronze C5210R-EH Thickness=0.35mm  
 Pins: Brass C2680R-H Thickness=0.35mm  
 Shield: SUS 304-1/2H Thickness=0.2mm  
 Contact plating: Gold 6 micro-inches min. In contact area.
4. Wave solder tip temperature: 250°C, 5 Sec.
5. UL Certification: File Number E484635.



X:X ±0.30	APPD: TOM	LINK-PP INT'L TECHNOLOGY CO., LIMITED
X:XX ±0.25	CHKD: JAMES	
X:XXX ±0.05	DR: LEO	
ANGLES ±1°	UNIT: mm	TITLE: RJ45 Connector with 10/100 Base-T Integrated Magnetics For PoE Application
		PART NO.: LPJ0009HDNL
	SCALE: 2/1	SHEET: 2/2
	REV: A	DWG NO.: LP12032910