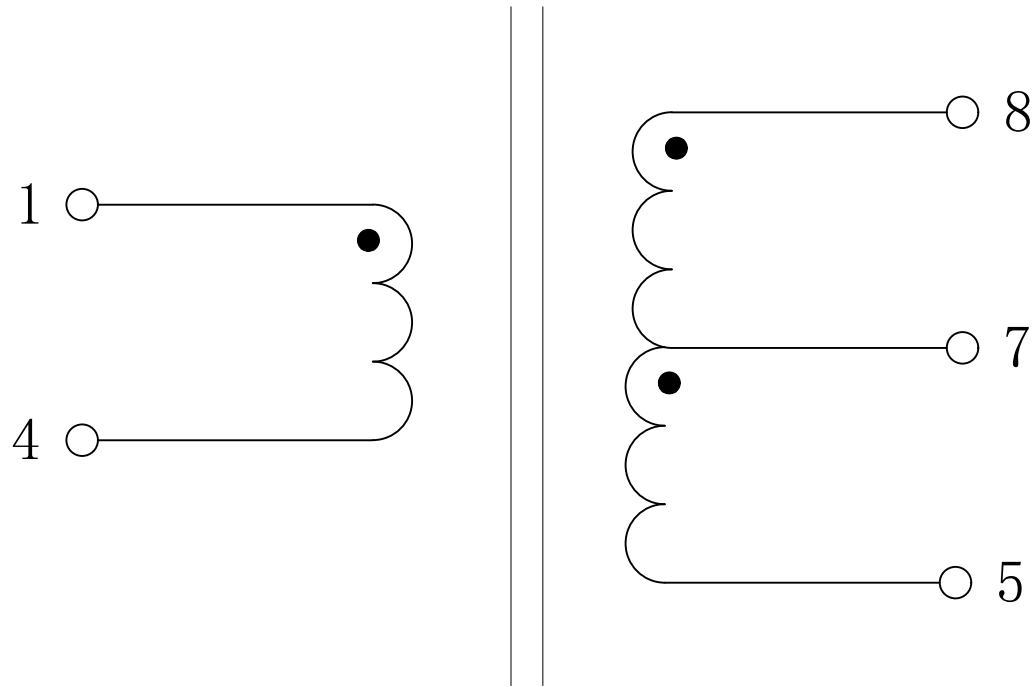


Schematic:

REV.	ECN NO.	DESCRIPTION	DATE	APPD
A	REL		2022/11/17	



Electrical Specification @25°C

1. Turns Ratio:
PIN 8-5 : PIN 1-4 = $1.15 \pm 2\%$:1
2. Inductance:
PIN 8-5 = 100uH Min. @ 10KHz/0.1V/Series
PIN 1-4 = 75uH Min. @ 10KHz/0.1V/Series
3. Leakage inductance:
PIN 1-4 = 70nH Max. @ 100KHz/0.1V
(PIN 8, 7, 5 shorted)
4. Interwinding Capacitance:
PIN 1-8 = 13pF Max. @ 100KHz/0.1V
5. T. H. D. :
PIN 8-5 to PIN 1-4 = -52dB Max. @ 120KHz/3Vrms
PIN 8-5 to PIN 1-4 = -18.22dB Typ. @ 30KHz/3Vrms
6. D. C. R. :
PIN 1-4 = 120mohm Max. PIN 8-5 = 130mohm Max.
7. Hipot:
PRI-SEC = 1875VAC/1Sec/1mA
8. Operating Temperature: -40°C ~ +85°C.

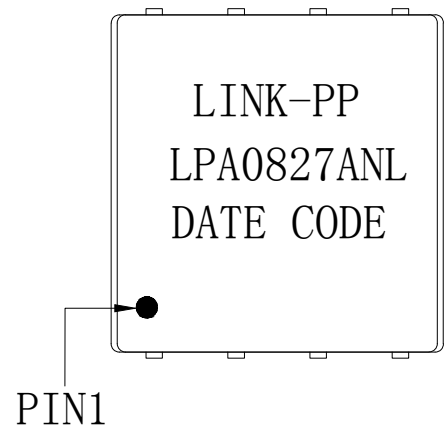
There shall be no breakdown between PINs 1, 2, 3, 4 & 5, 6, 7, 8 when tested according to ITU-T K.20:2017 enhanced level 6KV, per 2.1.1.b using the test procedures of K.44:2017



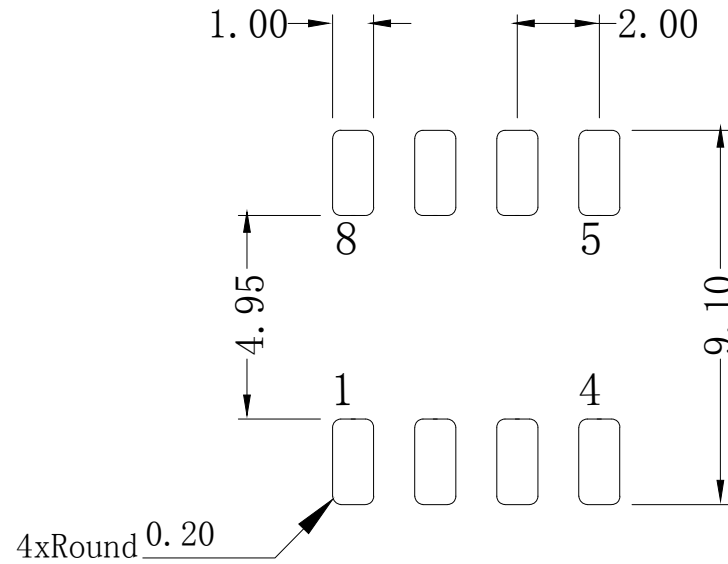
X:X	APPD:	LINK-PP INT'L TECHNOLOGY CO., LIMITED
X:XX ±0.25	CHKD:	
X:XXX	DR: LEO	TITLE: Transformers
ANGLES ±1°	UNIT: mm	PART NO. : LPA0827ANL
	SCALE: 2/1	SHEET: 1/2
	REV: A	DWG NO. : LP22111704

Mechanical:

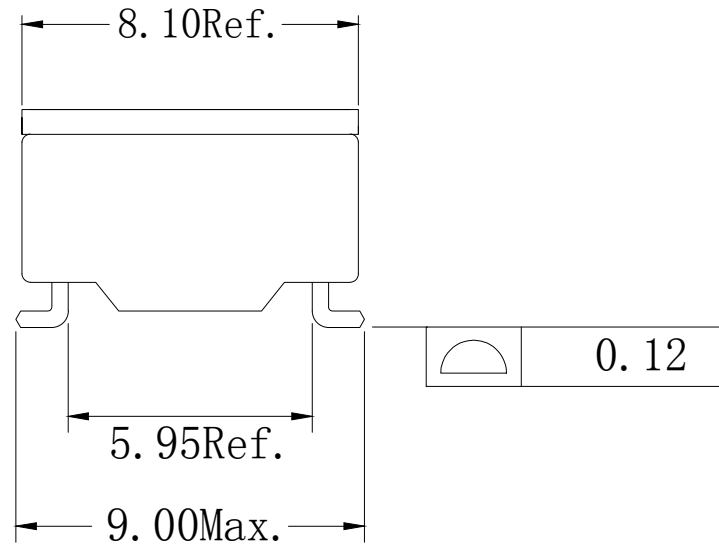
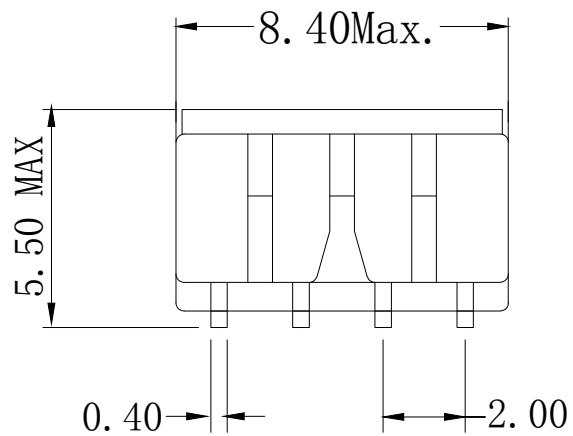
REV.	ECN NO.	DESCRIPTION	DATE	APPD
A	REL		2022/11/17	



TOP VIEW



SUGGESTED PAD LAYOUT



NOTES:

1. Transformer
2. For RoHS part add suffix NL
3. Maximum reflow temperature is 250°C, 5 Sec.
4. UL Certification: File Number E484635.



X:X	APPD:	LINK-PP INT'L TECHNOLOGY CO., LIMITED
X:XX ±0.25	CHKD:	
X:XXX	DR: LEO	TITLE: Transformers
ANGLES ±1°	UNIT: mm	PART NO.: LPA0827ANL
	SCALE: 2/1	SHEET: 2/2
	REV: A	DWG NO.: LP22111704