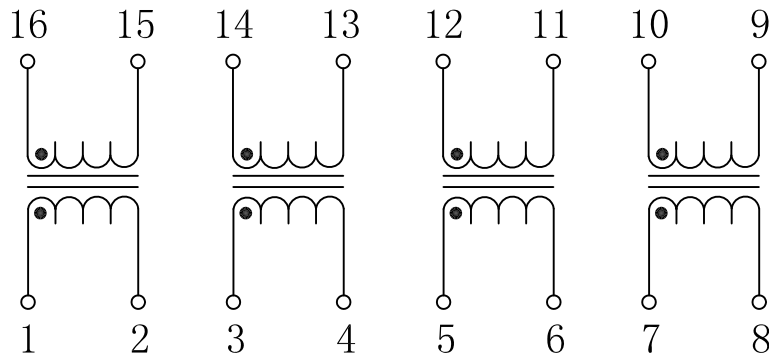


Schematic:

REV.	ECN NO.	DESCRIPTION	DATE	APPD
A	REL		2013/03/01	



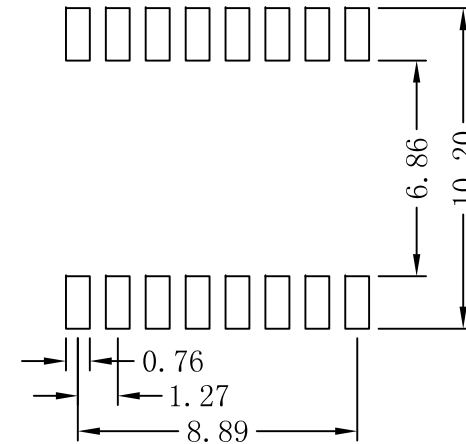
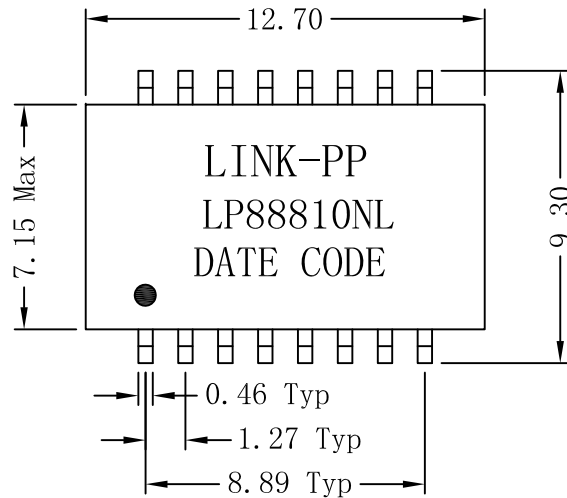
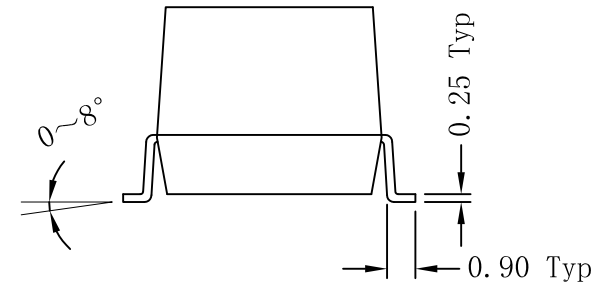
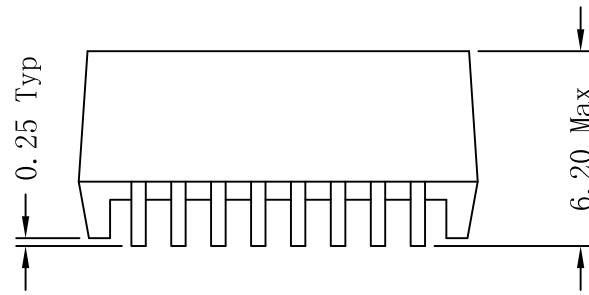
- Electrical Specifications @25°C
1. Turns Ratio: 1 : 1 \pm 5%
 2. OCL: 140uH Min @100KHz 20mVrms
 3. Leakage Inductance: 0.2uH Max @100KHz 20mVrms
 4. DC Resistance: 0.4 ohms Max
 5. Cw/w (Pri/Sec): 12pF Max @100KHz 20mVrms
 6. Isolation (Pri to Sec): 1500Vrms
 7. Operating Temperature: 0°C ~ 70°C.



X:X	APPD:	LINK-PP INT'L TECHNOLOGY CO., LIMITED		
X:XX \pm 0.25	CHKD:	TITLE: 10 Base-TX Isolation Transformer		
X:XXX	DR: TOM	PART NO.: LP88810NL		
ANGLES \pm 1°	UNIT: mm	DWG NO.: LP13030101		
	SCALE: 2/1	SHEET: 1/2	REV: A	

Mechanical:

REV.	ECN NO.	DESCRIPTION	DATE	APPD
A	REL		2013/03/01	



SUGGESTED PAD LAYOUT

NOTES:

1. Designed to support application, such as SOHO (ADSL modems), LAN-on-Motherboard (LOM), hub and Switches.
2. Meets IEEE 802.3 specification.
3. Maximum reflow temperature is 250°C, 5 Sec.
4. UL certification: file number E484635.

Dimensions: mm

Unless otherwise specified, all tolerances are ± 0.25

X:X	APPD:	LINK-PP INT'L TECHNOLOGY CO., LIMITED		
X:XX	± 0.25	CHKD:	TITLE: 10 Base-TX Isolation Transformer	
X:XXX		DR: TOM	PART NO.: LP88810NL	
ANGLES	$\pm 1^\circ$	UNIT: mm	REV: A	DWG NO.: LP13030101
	SCALE: 2/1	SHEET: 2/2	REV: A	DWG NO.: LP13030101