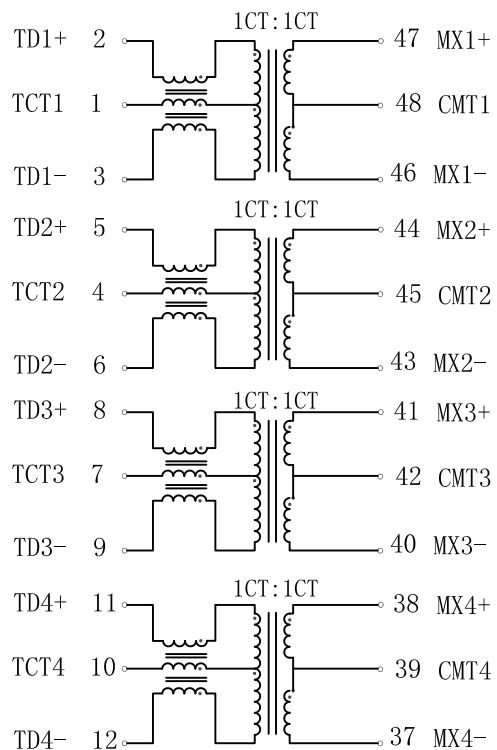


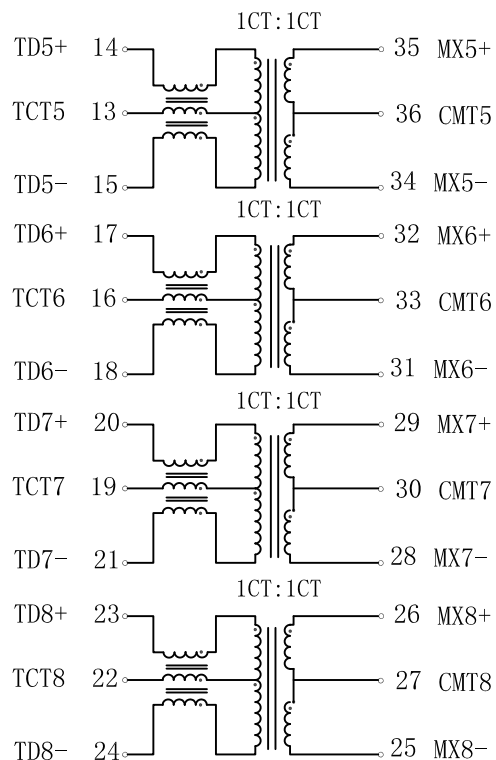
Schematic:

REV.	ECN NO.	DESCRIPTION	DATE	APPD
A	REL		2018-02-26	

Port 1



Port 2



ELECTRICAL SPECIFICATIONS @25°C

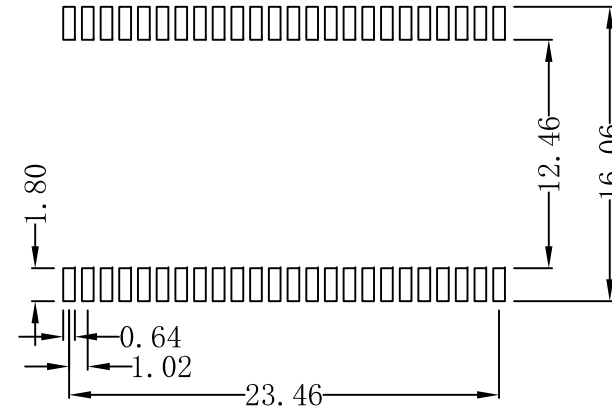
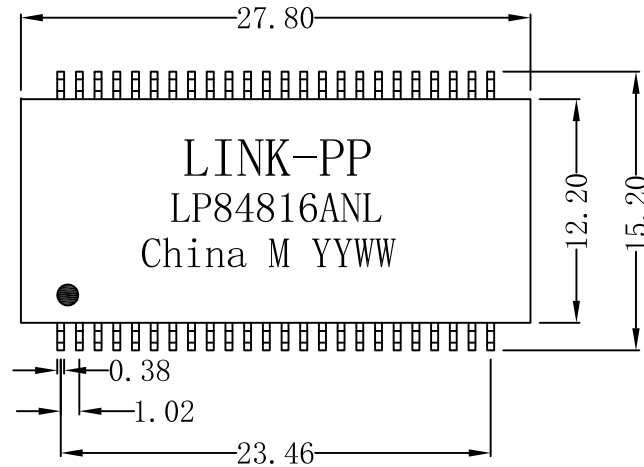
- Turn Ratio($\pm 3\%$):
Pri: Sec=1CT:1CT
- Inductance OCL:
120uH MIN @ 100KHz 0.1V 19mA DC Bias
350uH MIN @ 100KHz 0.1V 8mA DC Bias
- Insertion Loss:
-1.1dB MAX @ 1-100MHz
- Return Loss:
-16dB MIN @ 1-30MHz
-12dB MIN @ 30-60MHz
-10dB MIN @ 60-100MHz
- Cross talk:
-40dB MIN @ 1-30MHz
-35dB MIN @ 30-60MHz
-30dB MIN @ 60-100MHz
- Common Mode Rejection:
-30dB MIN @ 1-50MHz
-20dB MIN @ 50-150MHz
- Balanced DC Line current:
720mA MAX @ 57VDS Continuous.
- Hipot Test: 1500Vrms
- Operating Temperature Range: -40°C TO +85°C



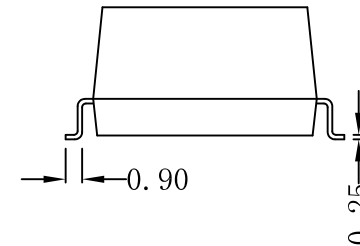
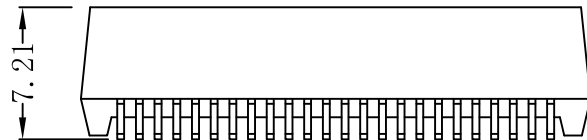
X:X	APPD:	LINK-PP INT'L TECHNOLOGY CO., LIMITED		
X:XX ±0.25	CHKD:	TITLE: 1000 Base-T Dual Ports Transformer Modules For PoE+ Application		
X:XXX	DR: SEA	PART NO.: LP84816ANL		
ANGLES ±1°	UNIT: mm			
	SCALE: 2/1	SHEET: 1/2	REV: A	DWG NO.: LP18022610

Mechanical:

REV.	ECN NO.	DESCRIPTION	DATE	APPD
A	REL		2018-02-26	



SUGGESTED PAD LAYOUT



NOTES:

1. Designed to support application, such as SOHO (ADSL modems), LAN-on-Motherboard (LOM), hub and Switches.
2. Meets IEEE 802.3at specification.
3. Maximum reflow temperature is 250°C, 5 Sec.
4. UL certification: file number E484635.

X:X	APPD:	LINK-PP INT'L TECHNOLOGY CO., LIMITED		
X:XX ±0.25	CHKD:	TITLE: 1000 Base-T Dual Ports Transformer Modules For PoE+ Application		
X:XXX	DR: SEA	PART NO.: LP84816ANL		
ANGLES ±1°	UNIT: mm			
	SCALE: 2/1	SHEET: 2/2	REV: A	DWG NO.: LP18022610