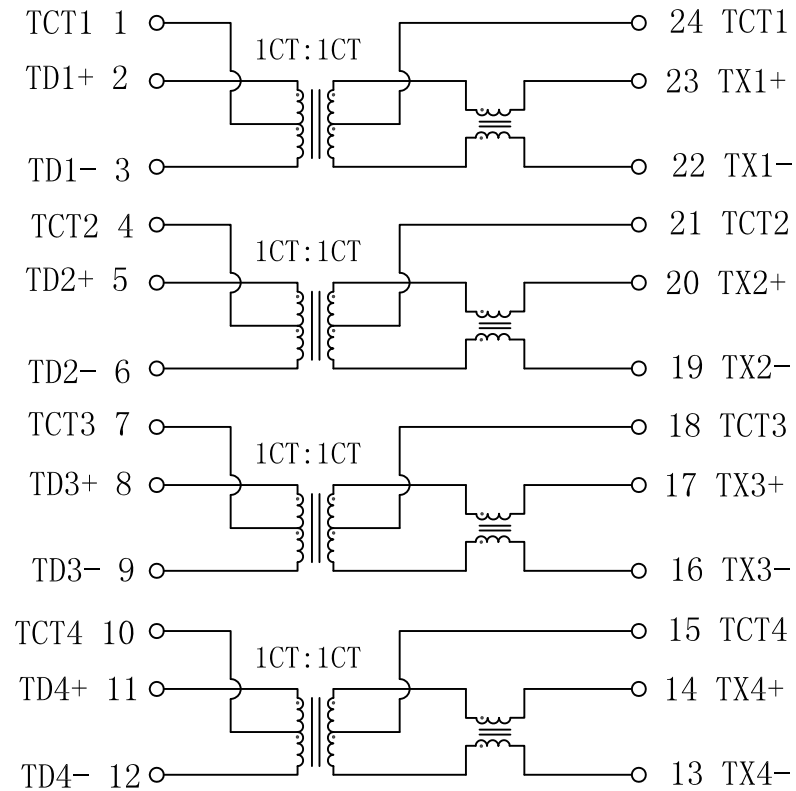


Schematic:

REV.	ECN NO.	DESCRIPTION	DATE	APPD
A	REL		2018/03/28	



Electrical Specifications @25°C

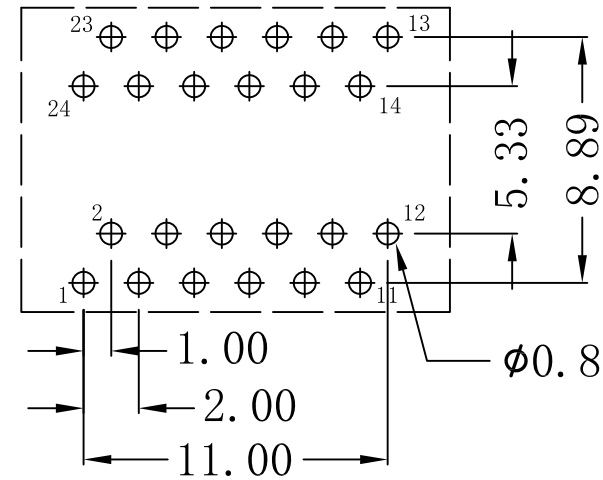
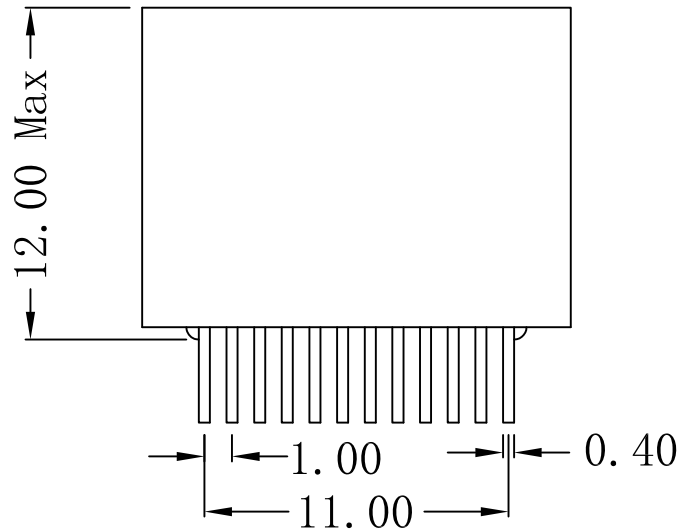
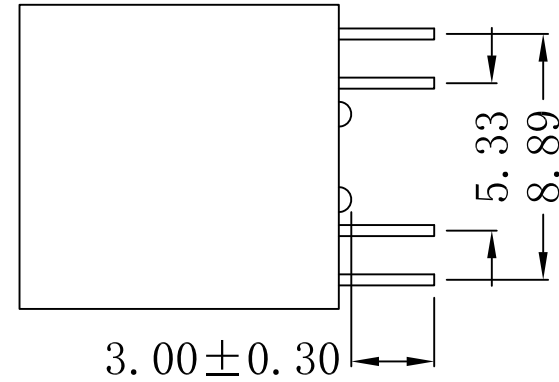
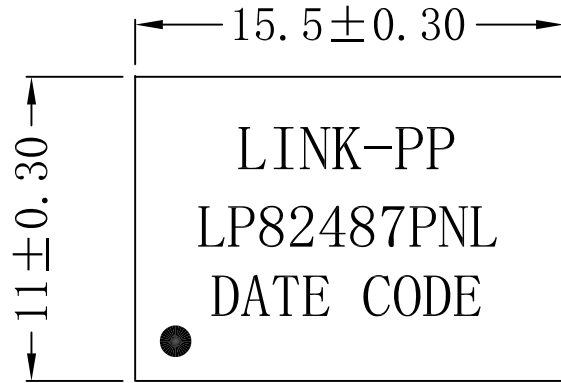
- Turns Ratio($\pm 5\%$):
Pri : Sec = 1CT : 1CT
- OCL: 350uH Min
@100KHz, 200mV, 8mA DC Bias
- LL: 0.5uH Max @100KHz, 200mV
- Cw/w: 50pF Typ @100KHz, 200mV
- DCR: 0.9 Ω Max
- Insertion Loss:
1-100MHz:-1.0 dB MAX
- Return Loss(dB MIN):
0.5-30MHz:-18 40MHz:-15
50MHz:-13 60-80MHz:-11
- Crosstalk(dB MIN):
0.1-100MHz:-38
- Common Mode Rejection Ratio(dB MIN):
0.1-100MHz:-40
- Suitable for End-span PoE applications with
720mA current capability.
- Hipot: 1500Vrms
- Operating Temperature: 0°C ~ 70°C.



X:X	± 0.30	APPD:	LINK-PP INT'L TECHNOLOGY CO., LIMITED	
X:XX	± 0.25	CHKD:	TITLE: 100/1000Base-TX Single Port Transformer Modules For PoE+ application	
X:XXX	± 0.05	DR: TOM	PART NO.: LP82487PNL	
ANGLES	$\pm 1^\circ$	UNIT: mm		
	SCALE: 2/1	SHEET: 1/2	REV: A	DWG NO.: LP18032801

Mechanical:

REV.	ECN NO.	DESCRIPTION	DATE	APPD
A	REL		2018/03/28	



NOTES:

1. 10/100/1000Base-T PoE+ Magnetics Module.
2. For RoHS part add suffix NL.
3. RoHS "NL" peak solder rating 250°C.
4. UL Certification: File Number E484635.



X:X	± 0.30	APPD:	LINK-PP INT'L TECHNOLOGY CO., LIMITED
X:XX	± 0.25	CHKD:	
X:XXX	± 0.05	DR: TOM	TITLE: 100/1000Base-TX Single Port Transformer Modules For PoE+ application
ANGLES	$\pm 1^\circ$	UNIT: mm	PART NO.: LP82487PNL

	SCALE: 2/1	SHEET: 2/2	REV: A	DWG NO.: LP18032801
--	------------	------------	--------	---------------------