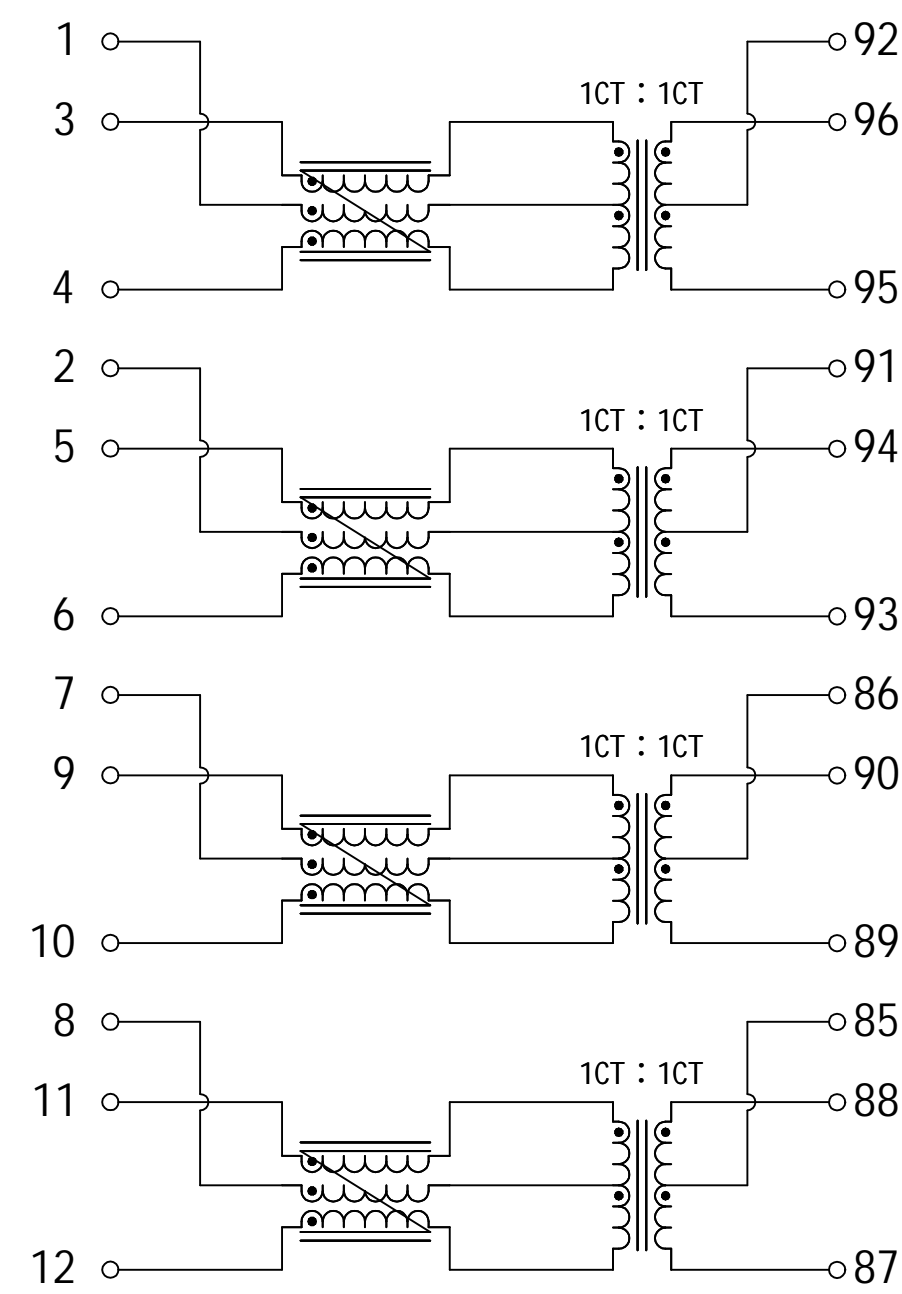


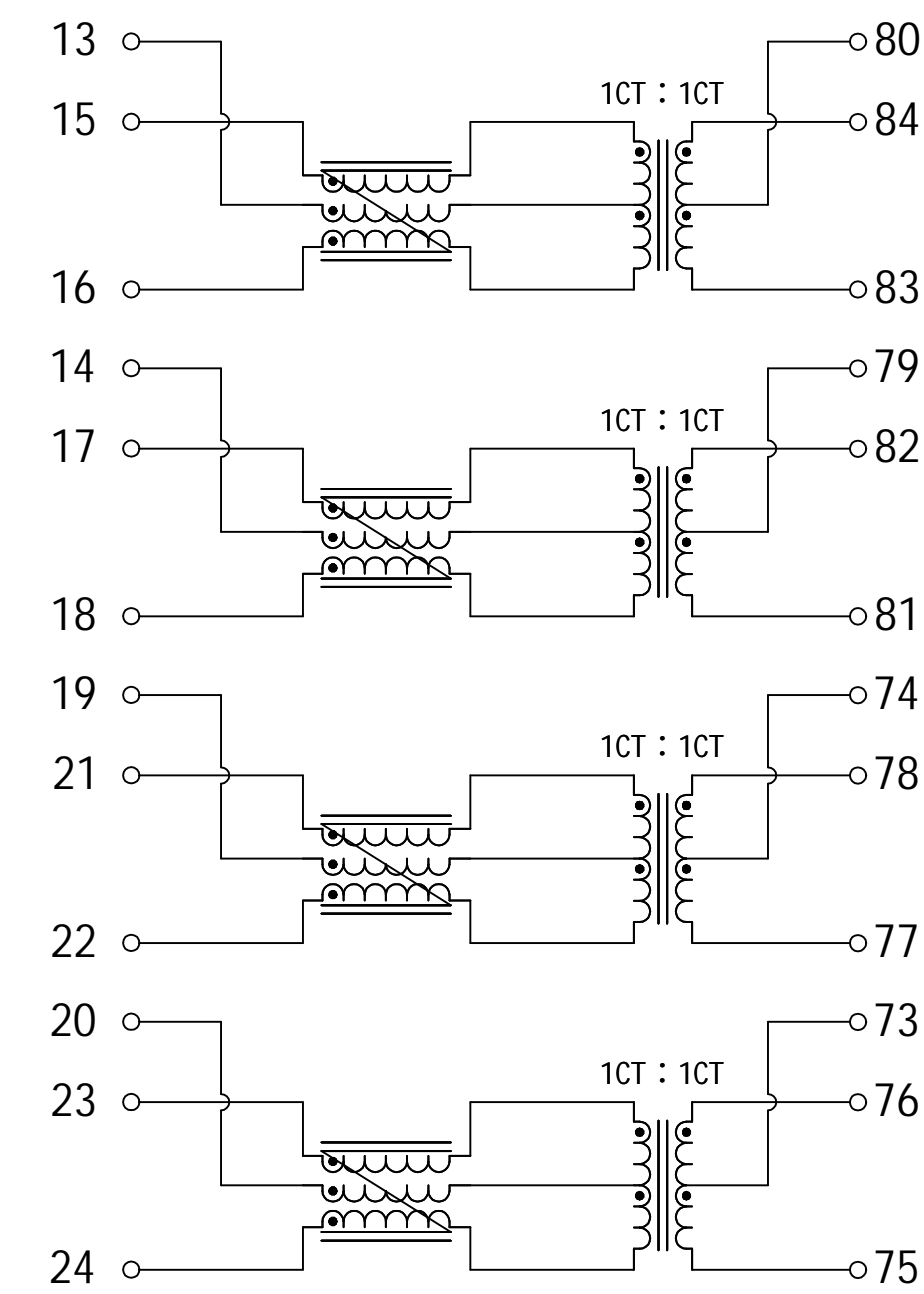
Schematic:

REV.	ECN NO.	DESCRIPTION	DATE	APPD
A	REL		2022/03/07	

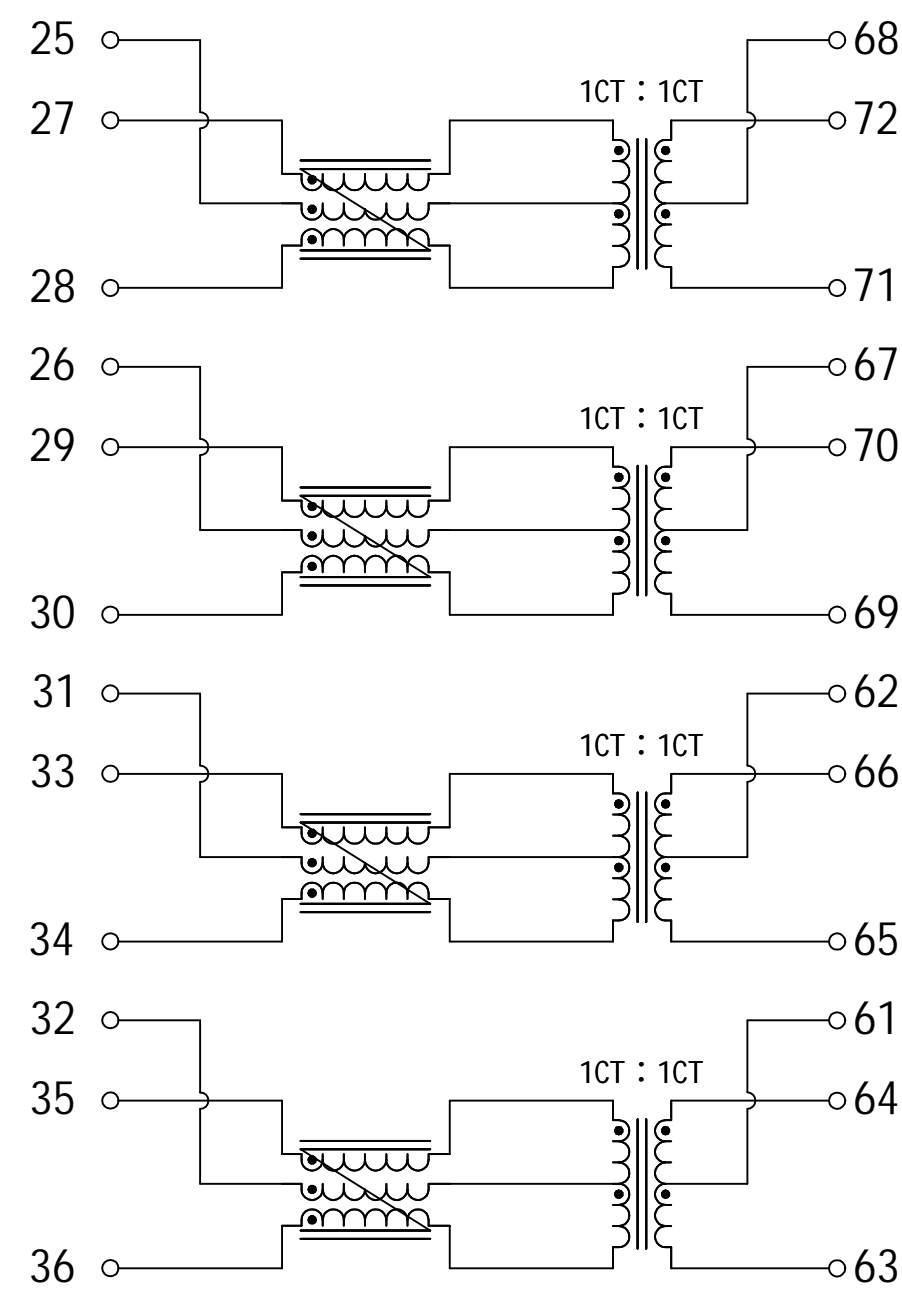
Chip Side Port 1 Line Side



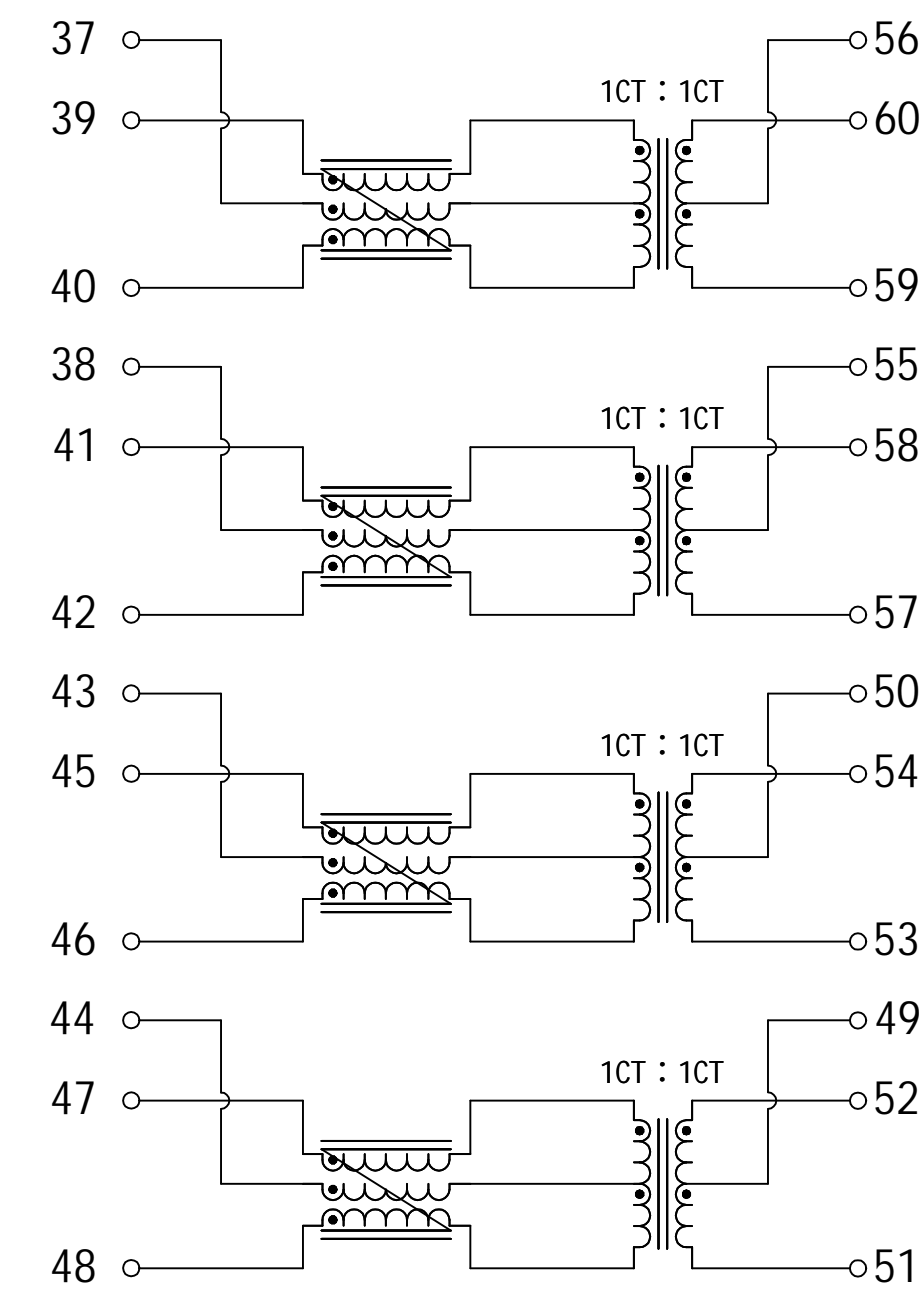
Chip Side Port 2 Line Side



Chip Side Port 3 Line Side



Chip Side Port 4 Line Side



Electrical Specifications @25°C

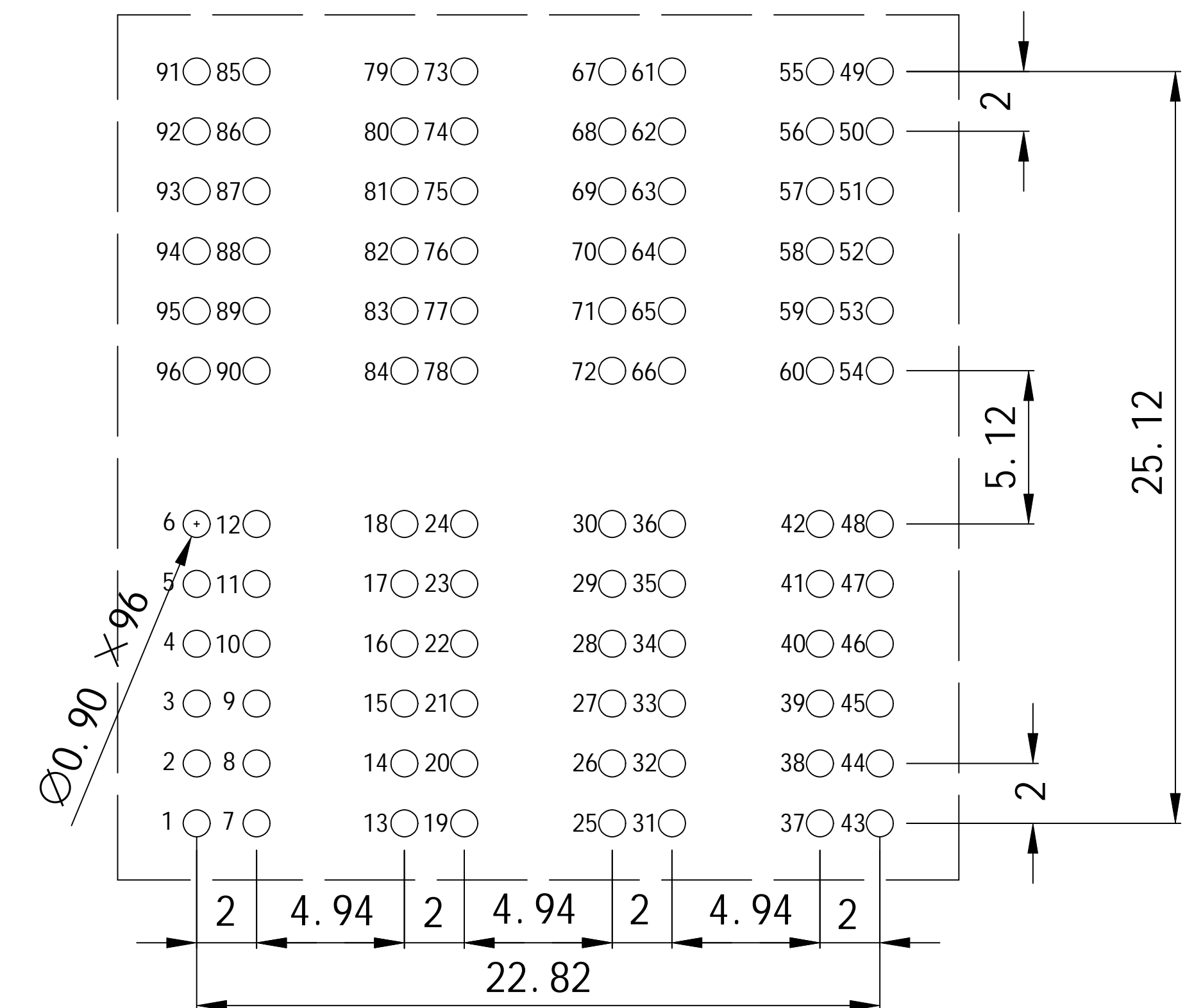
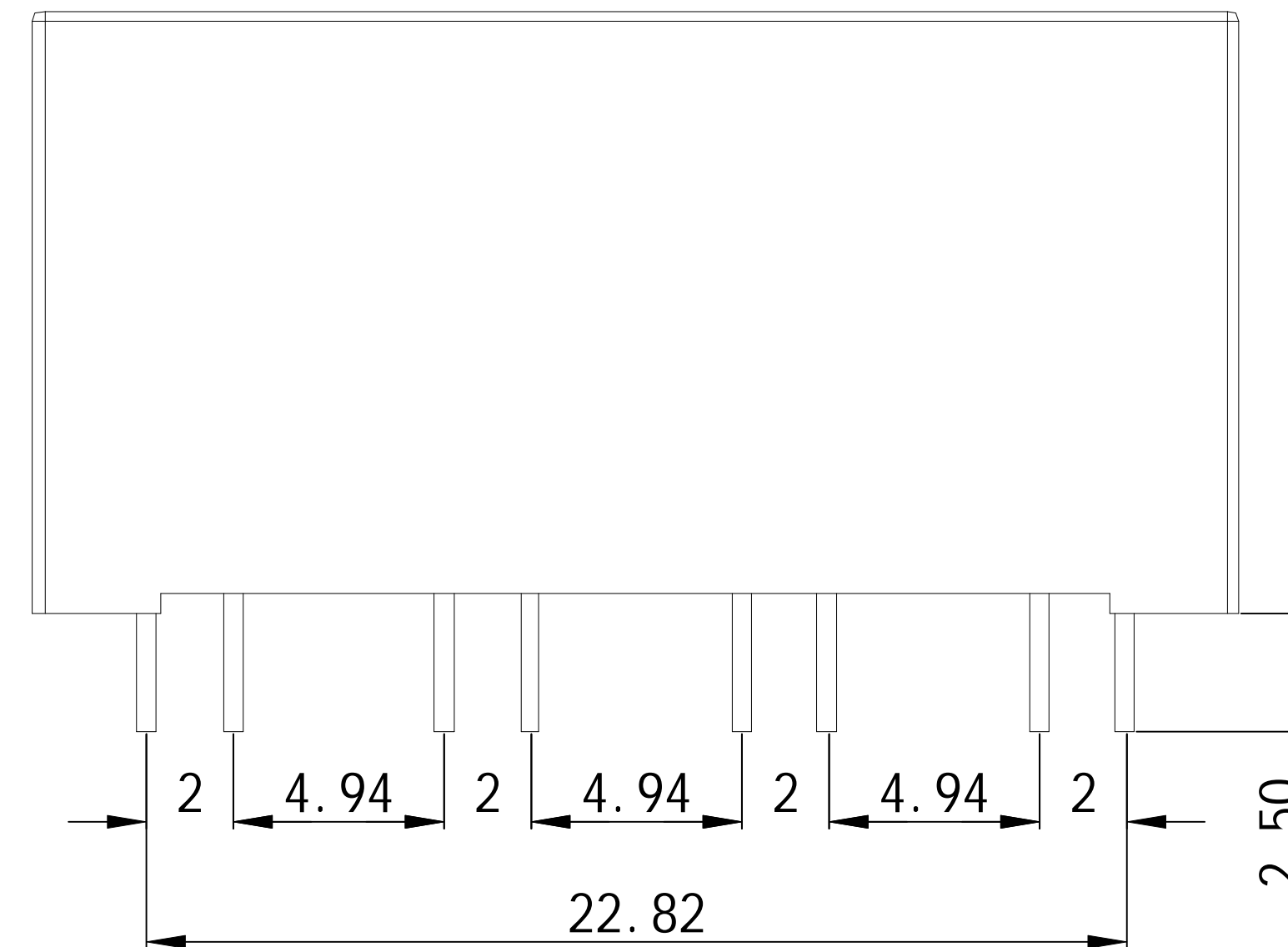
- Turns Ratio($\pm 5\%$):
Pri:Sec = 1CT:1CT
- OCV(@100KHz, 200mV, 10.8mA, DC Bias):
140uH Min
- DCR: 1.0 Ω Max
- Insertion Loss(dB Max):
1-100MHz: -1.0 100-200MHz: -2.2
- Return Loss(dB Min):
1-40MHz: -16 125MHz: -11
150MHz: -10 200MHz: -9
- Crosstalk(dB Min):
1-125MHz: -30
- CMRR(dB Min):
1-125MHz: -30
- Hi pot: 1500Vrms
- Operating Temperature: 0°C ~ +70°C.
- Designed to support applications up to 1100mA Current capability



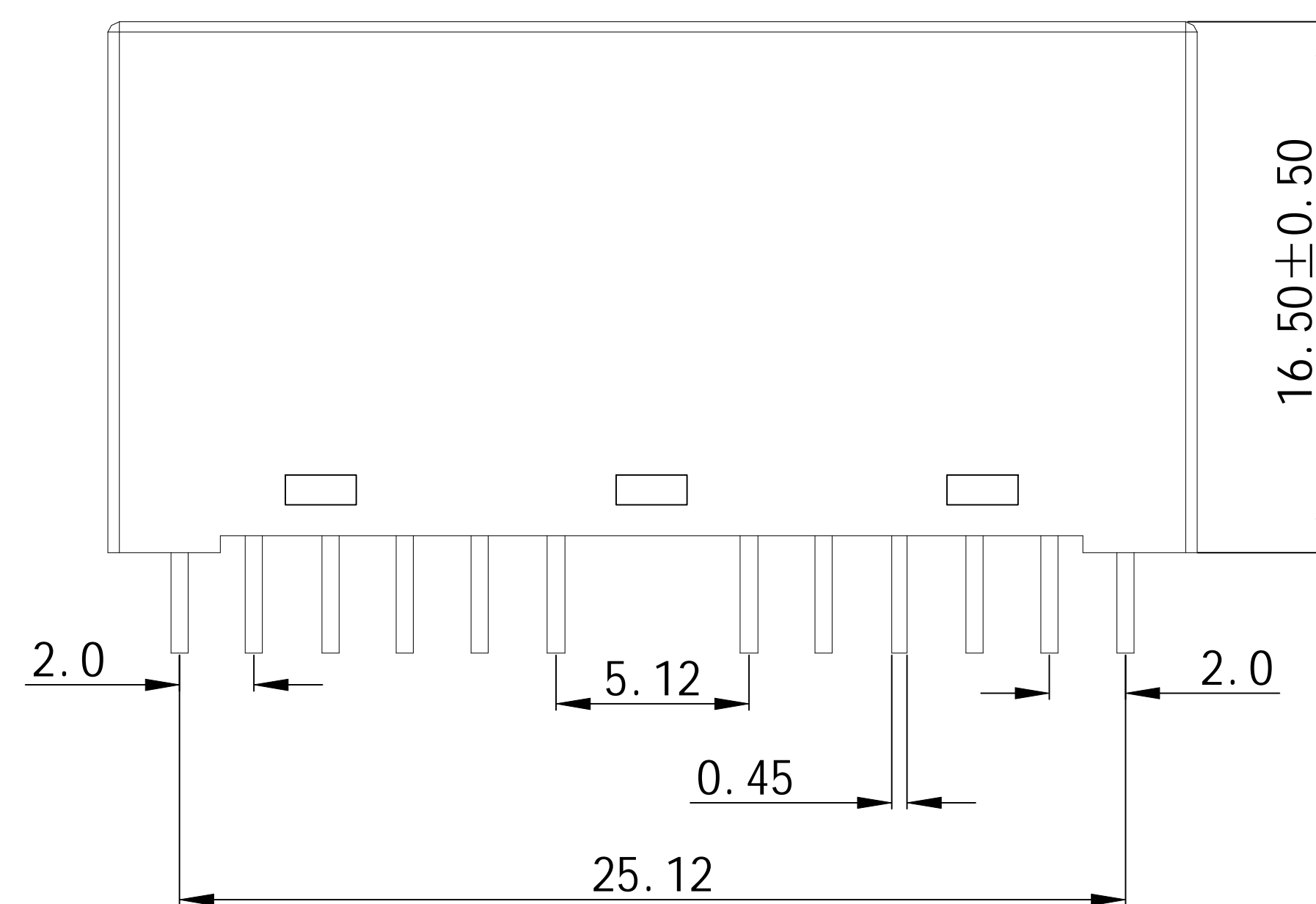
X: X	APPD: TOM	LINK-PP INT'L TECHNOLOGY CO., LIMITED
X: XX ± 0.25	CHKD: JAMES	
X: XXX	DR: JULY	TITLE: HIGH PoE++(1100mA)ENABLED TRANSFORMER 2.5G BASE-T QUAD PORT SURFACE MOUNT MAGNETICS
ANGLES $\pm 1^\circ$	UNIT: mm	PART NO.: LP79604PNL
	SCALE: 2/1	SHEET: 1/2
	REV: A	DWG NO.: LP22030701

Mechanical :

REV.	ECN NO.	DESCRIPTION	DATE	APPD
A	REL		2022/03/07	



SUGGESTED PCB LAYOUT(TOP VIEW)



NOTES:

1. Compliant with IEEE 802.3bt Standard.
2. 2.5G Base-T, Through-Hole Type For PoE++ Application.
3. RoHS Compliant.
4. For RoHS part add suffix NL.
5. RoHS"NL" peak solder rating 245°C.
6. UL Certification: File Number E484635



X: X	APPD: TOM	LINK-PP INT'L TECHNOLOGY CO., LIMITED
X: XX ±0.25	CHKD: JAMES	
X: XXX	DR: JULY	TITLE: HIGH PoE++(1100mA)ENABLED TRANSFORMER 2.5G BASE-T QUAD PORT SURFACE MOUNT MAGNETICS
ANGLES ±1°	UNIT: mm	PART NO.: LP79604PNL
	SCALE: 2/1	SHEET: 2/2
	REV: A	DWG NO.: LP22030701