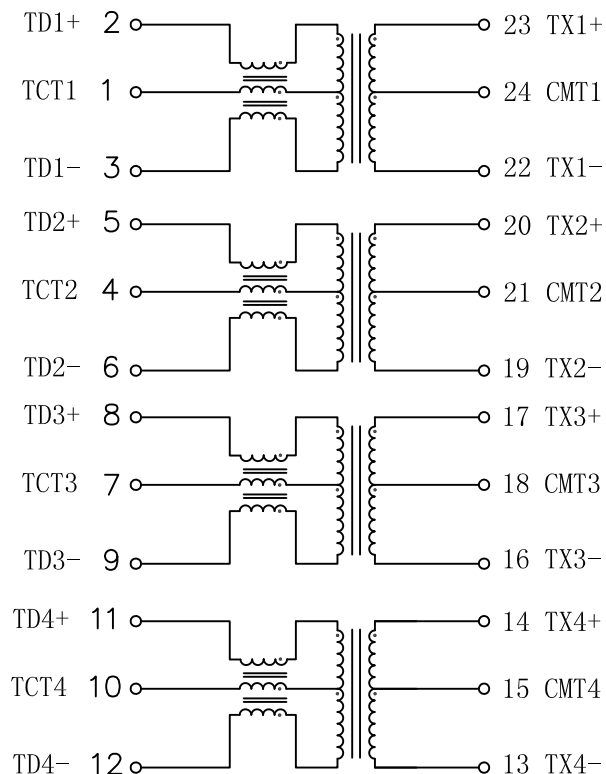


Schematic:

REV.	ECN NO.	DESCRIPTION	DATE	APPD
A	REL		2021/05/10	



Electrical Specification @25°C

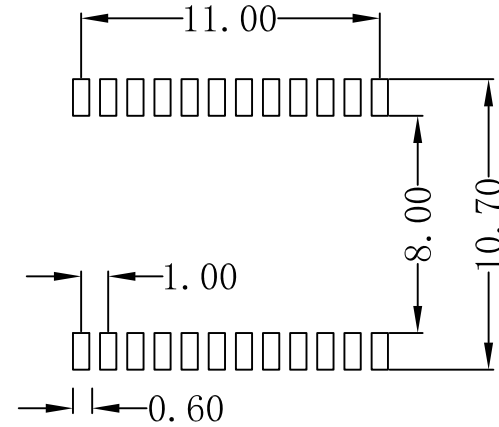
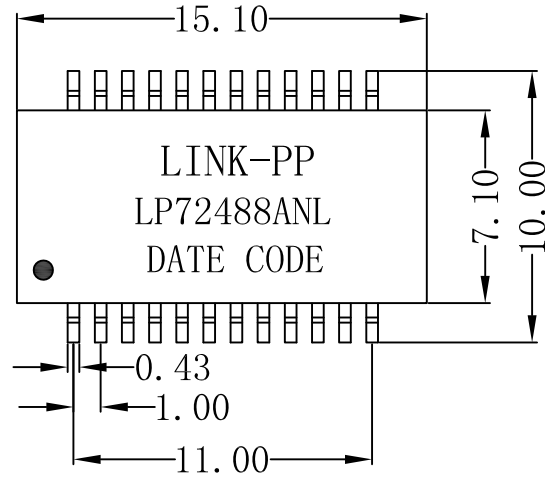
- Turns Ratio:
Pri : Sec = 1CT : 1CT $\pm 2\%$
- Inductance(OCL):
150uH Min @100KHz, 100mV, 9mA DC Bias
- Insertion Loss(dB Max):
1-50MHz: -0.5 50-125MHz: -1.0
- Return Loss(dB Min @Z OUT = 100 OHMS $\pm 1\%$):
1-40MHz: -20
40-200MHz: $-20 + 15 * \text{LOG}_{10}(f/40)$
- Crosstalk(dB Min):
1-125MHz: -30
- Common Mode Rejection Ratio(dB Min):
30-200MHz: -30
- Common to Differential Mode Rejection(dB Min):
10-125MHz: $-45 + f/35$
- Hipot: 1500Vrms Min
- Operating Temperature: $-40^{\circ}\text{C} \sim +85^{\circ}\text{C}$.



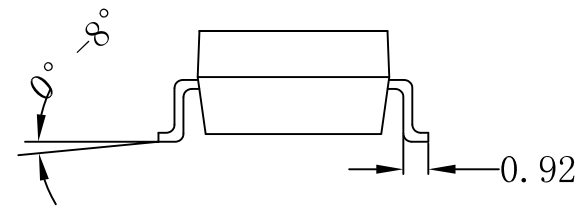
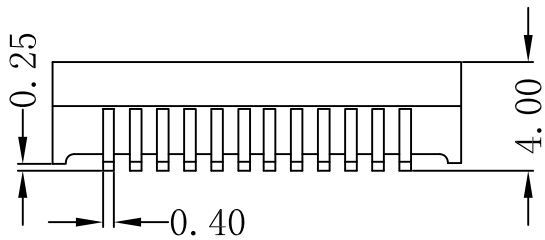
X:X	± 0.30	APPD:	LINK-PP INT'L TECHNOLOGY CO., LIMITED	
X:XX	± 0.25	CHKD:	TITLE: 2.5G Base-T Magnetics Modules	
X:XXX	± 0.05	DR: TOM	PART NO.: LP72488ANL	
ANGLES	$\pm 1^{\circ}$	UNIT: mm		
	SCALE: 2/1	SHEET: 1/2	REV: A	DWG NO.: LP21051001

Mechanical:

REV.	ECN NO.	DESCRIPTION	DATE	APPD
A	REL		2021/05/10	

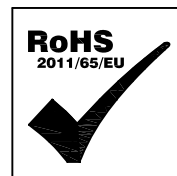


SUGGESTED PAD LAYOUT



NOTES:

1. Designed for 2.5gigabit transceivers
2. IEEE 802.3bz/ANSI X3.263 compliant performance.
3. Maximum reflow temperature is 250°C, 5 Sec.
4. Magnetics, designed for 2.5gigabit phy used in backplane
5. For RoHS part add suffix NL
6. UL Certification: File Number E484635.



X:X	APPD:	LINK-PP INT'L TECHNOLOGY CO., LIMITED		
X:XX ±0.25	CHKD:	TITLE: 2.5G Base-T Magnetics Modules		
X:XXX	DR: TOM	PART NO.: LP72488ANL		
ANGLES ±1°	UNIT: mm			
	SCALE: 2/1	SHEET: 2/2	REV: A	DWG NO.: LP21051001