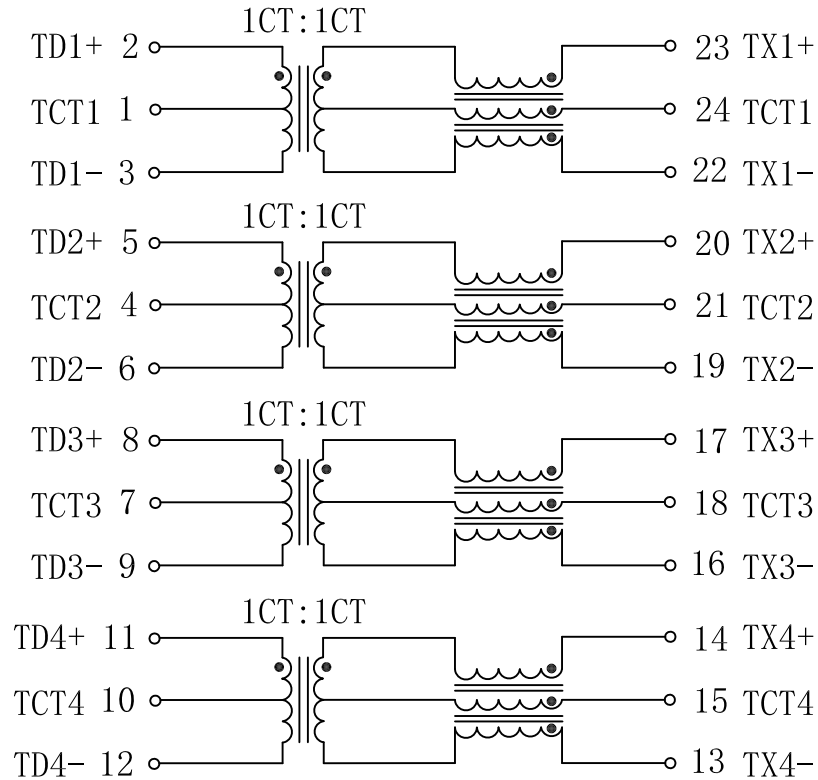


# Schematic:

REV.	ECN NO.	DESCRIPTION	DATE	APPD
A	REL		2018-08-25	



## Electrical Specification @25°C

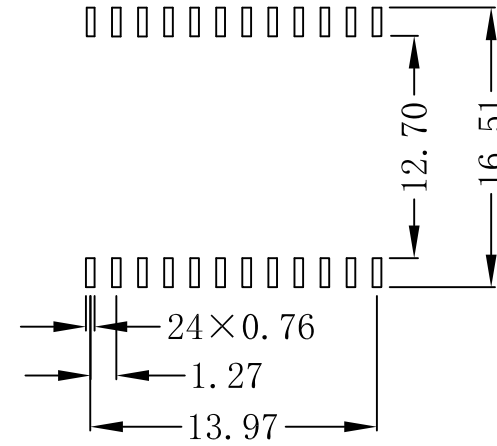
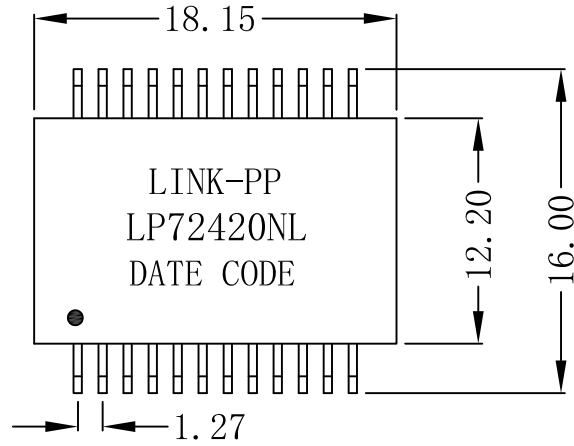
- Turns Ratio:  
Pri : Sec = 1CT : 1CT ±2%
- Inductance (OCL):  
120uH Min @100KHz, 100mV
- Insertion Loss:  
100KHz: -3.0dB Max  
1-500MHz: -1.0dB Max (-0.6 dB TYP)
- Return Loss (Z OUT = 100 OHM ±1%):  
1-40MHz: -18dB Min  
40-500MHz: -17+10\*LOG(f/40)
- Crosstalk:  
1-100MHz: -40dB Min  
100-500MHz: -30dB Min
- Common Mode Rejection Ratio:  
1-100MHz: -35dB Min  
100-300MHz: -30dB Min  
360-500MHz: -25dB Min
- Common to Differential Mode Rejection:  
1-250MHz: -30dB Min  
250-500MHz: -22dB Min
- Hipot: 1500Vrms MIN
- Operating Temperature: 0°C ~ 70°C.



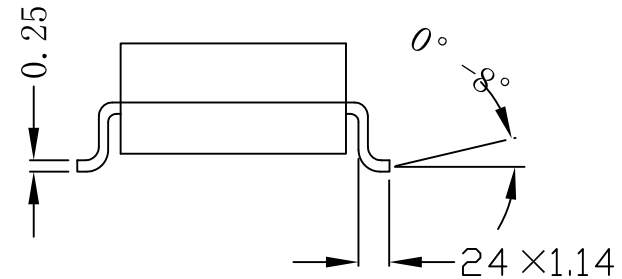
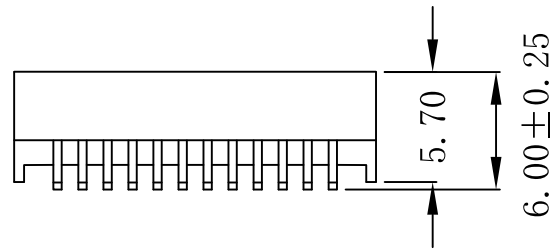
X:X	APPD:	LINK-PP INT'L TECHNOLOGY CO., LIMITED		
X:XX ±0.25	CHKD:	TITLE: 10GBase-T Magnetic Modules For PoE+ Application		
X:XXX	DR: TOM	PART NO.: LP72420NL		
ANGLES ±1°	UNIT: mm			
	SCALE: 2/1	SHEET: 1/2	REV: A	DWG NO.: LP18082512

# Mechanical:

REV.	ECN NO.	DESCRIPTION	DATE	APPD
A	REL		2018-08-25	



SUGGESTED PAD LAYOUT



## NOTES:

1. Designed to Support 10G Base-T Transceivers
2. Compliant with IEEE 802.3at standard
3. 720mA Current Capability.
4. Qualified with top 10Gig PHY Manufacturers
5. RoHS peak reflow temperature rating 250°C
6. UL Certification: File Number E484635.



X:X	APPD:	LINK-PP INT'L TECHNOLOGY CO., LIMITED		
X:XX ±0.25	CHKD:	TITLE: 10GBase-T Magnetic Modules For PoE+ Application		
X:XXX	DR: TOM	PART NO.: LP72420NL		
ANGLES ±1°	UNIT: mm			
	SCALE: 2/1	SHEET: 2/2	REV: A	DWG NO.: LP18082512