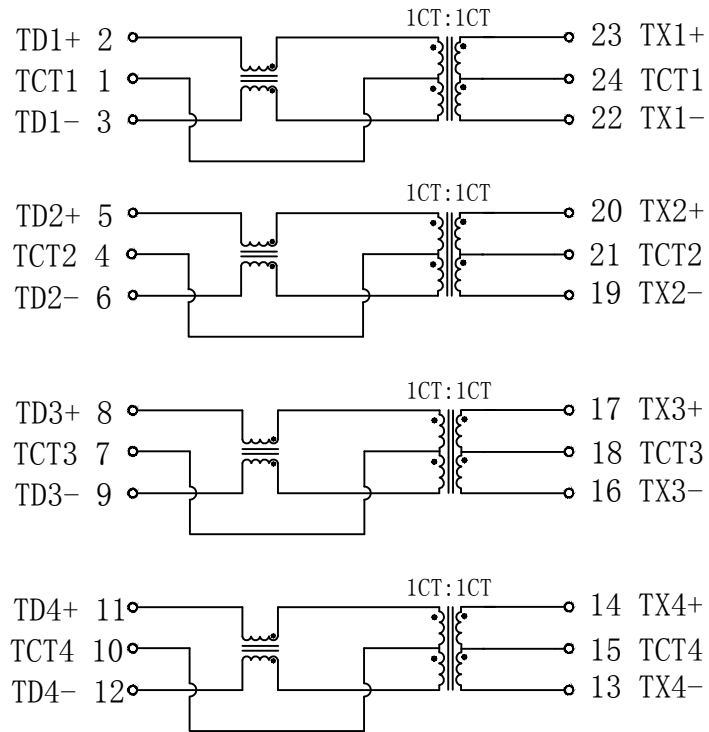


Schematic:

REV.	ECN NO.	DESCRIPTION	DATE	APPD
A	REL		2020-05-23	



ELECTRICAL SPECIFICATIONS @25°C

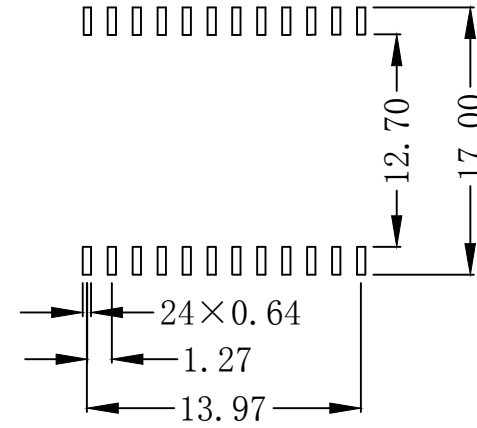
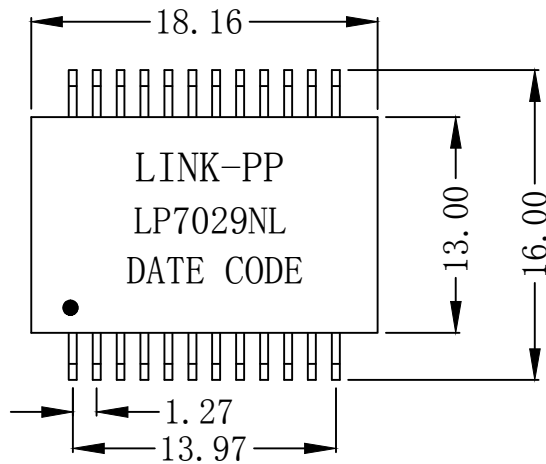
- Turn Ratio : 1CT:1CT $\pm 5\%$
- OCL: 200uH Min @100KHz , 0.1V
- Insertion Loss (dB Max):
 - 1-100MHz: -1.0 100-125MHz: -1.5
- Return Loss(dB Min):
 - 1-30MHz: -16 30-100MHz: -12
 - 100-150MHz: -10
- Cross Talk:
 - 1-125MHz: -25dB Min.
- Common Mode Rejection(dB Min):
 - 1-125MHz: -30
- Common Mode to Differential Mode Rejection(dB Min):
 - 1-100MHz: -30 100-125MHz: -25.
- Hi-Pot: 4000Vrms.
- Operating Temperature Range: 0°C ~ 70°C.



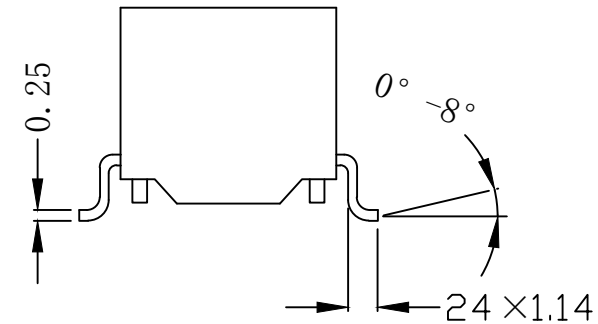
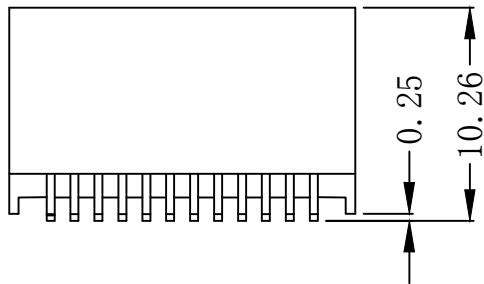
X:X	APPD:	LINK-PP INT'L TECHNOLOGY CO., LIMITED
X:XX ± 0.25	CHKD:	
X:XXX	DR: TOM	TITLE: 2.5G Base-T Magnetics Modules For PoE+ Application
ANGLES $\pm 1^\circ$	UNIT: mm	PART NO.: LP7029NL
	SCALE: 2/1	SHEET: 1/2
	REV: A	DWG NO.: LP22052306

Mechanical :

REV.	ECN NO.	DESCRIPTION	DATE	APPD
A	REL		2020-05-23	



SUGGESTED PAD LAYOUT



NOTES

1. Designed For 2.5 Gigabit Transceivers
2. Peak Reflow Temperature Rating 250°C
3. Magnetics, Designed For Gigabit PHY Used In Backplane.
4. Compliant With IEEE 802.3at Standard.
5. PoE Magnetics For 60W.
6. UL Certification: File Number E484635.



X:X	APPD:	LINK-PP INT'L TECHNOLOGY CO., LIMITED
X:XX ±0.25	CHKD:	
X:XXX	DR: TOM	TITLE: 2.5G Base-T Magnetics Modules For PoE+ Application
ANGLES ±1°	UNIT: mm	PART NO.: LP7029NL
	SCALE: 2/1	SHEET: 2/2
	REV: A	DWG NO.: LP22052306