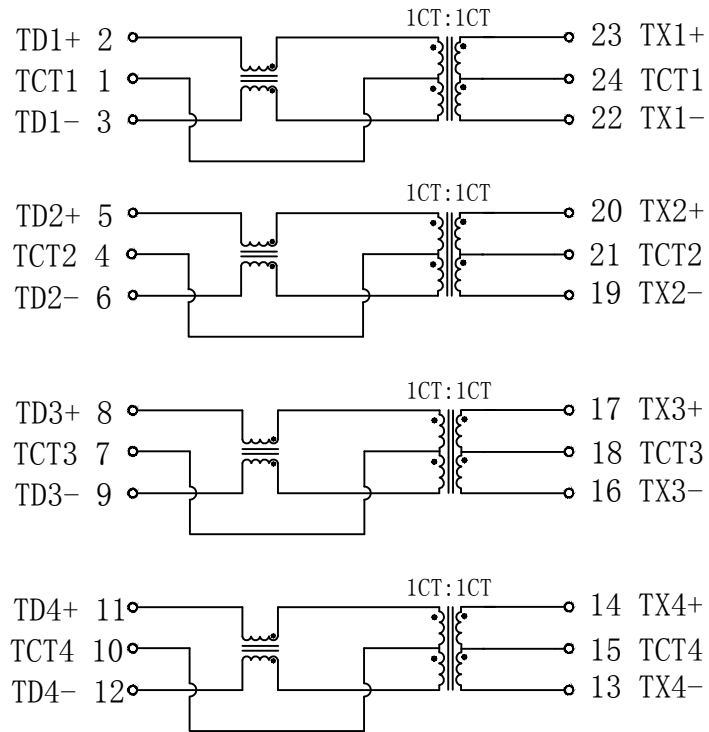


# Schematic:

REV.	ECN NO.	DESCRIPTION	DATE	APPD
A	REL		2020-05-23	



## ELECTRICAL SPECIFICATIONS @25°C

- Turn Ratio : 1CT:1CT  $\pm 5\%$
- OCL: 200uH Min @100KHz , 0.1V
- Insertion Loss (dB Max):
 

1-100MHz: -1.0	100-125MHz: -1.5
----------------	------------------
- Return Loss(dB Min):
 

1-30MHz: -16	30-100MHz: -12
100-150MHz: -10	
- Cross Talk:
 

1-125MHz: -25dB Min.
----------------------
- Common Mode Rejection(dB Min):
 

1-125MHz: -30
---------------
- Common Mode to Differential Mode Rejection(dB Min):
 

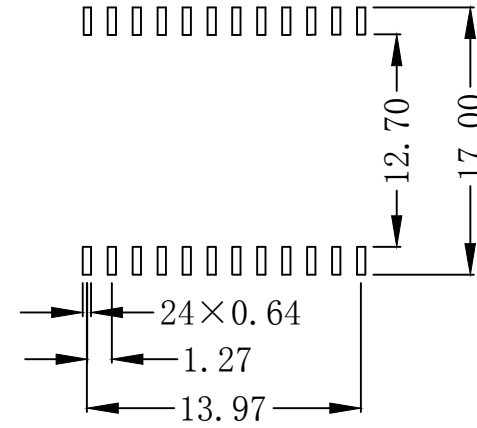
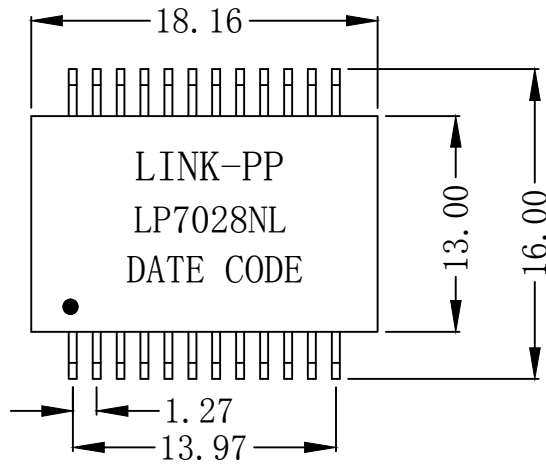
1-100MHz: -30	100-125MHz: -25.
---------------	------------------
- Hi-Pot: 4000Vrms.
- Operating Temperature Range: 0°C ~ 70°C.



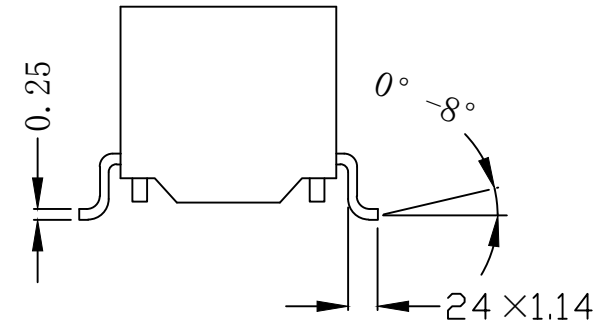
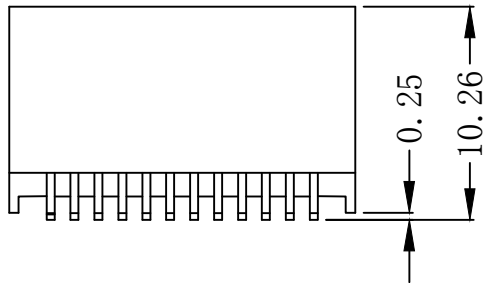
X:X	APPD:	LINK-PP INT'L TECHNOLOGY CO., LIMITED
X:XX $\pm 0.25$	CHKD:	
X:XXX	DR: TOM	TITLE: 2.5G Base-T Magnetics Modules For PoE Application
ANGLES $\pm 1^\circ$	UNIT: mm	PART NO.: LP7028NL
	SCALE: 2/1	SHEET: 1/2
	REV: A	DWG NO.: LP22052305

# Mechanical :

REV.	ECN NO.	DESCRIPTION	DATE	APPD
A	REL		2020-05-23	



SUGGESTED PAD LAYOUT



## NOTES

1. Designed For 2.5 Gigabit Transceivers
2. Peak Reflow Temperature Rating 250°C
3. Magnetics, Designed For Gigabit PHY Used In Backplane.
4. Compliant With IEEE 802.3af Standard.
5. PoE Magnetics For 30W.
6. UL Certification: File Number E484635.



X:X	APPD:	LINK-PP INT'L TECHNOLOGY CO., LIMITED
X:XX ±0.25	CHKD:	
X:XXX	DR: TOM	TITLE: 2.5G Base-T Magnetics Modules For PoE Application
ANGLES ±1°	UNIT: mm	PART NO.: LP7028NL
	SCALE: 2/1	SHEET: 2/2
	REV: A	DWG NO.: LP22052305